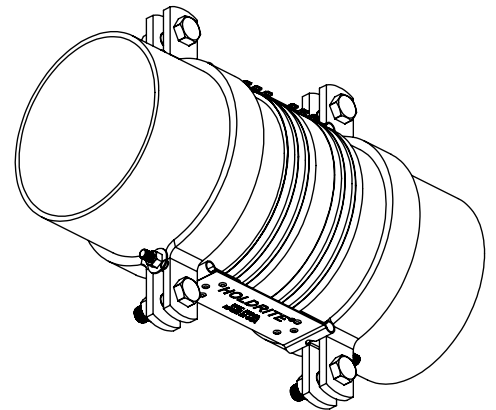


#117-10S Shown



NO-HUB CAST IRON FITTING RESTRAINT #117-S SERIES

THE HOLDRITE® #117 SERIES RESTRAINT KIT PROVIDE SUPPORT FOR NO-HUB FITTING JOINTS IN HIGH THRUST CONDITIONS. SHOWN ABOVE IS THE END-TO-END PIPE SUPPORT. #117-10S (10" PIPE SIZE), #117-12S (12" PIPE SIZE), & #117-15S (15" PIPE SIZE).

.....HUBBARD ENTERPRISES.....
HOLDRITE®
"Converting Makeshift Methods into Engineered Solutions"™