

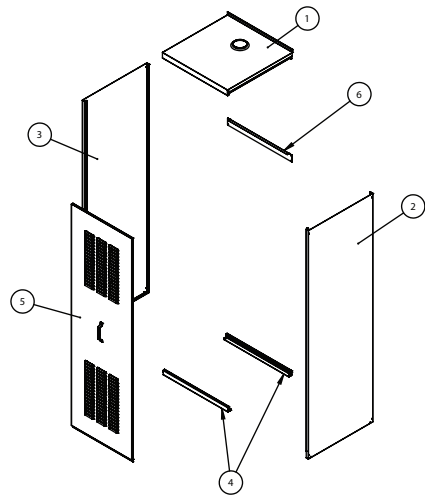
## INSTALLATION INSTRUCTIONS

### Installation Tools Required:

- Phillips Head Screwdriver
- Gloves
- Eye Protection

### QUICK SHED™ Water Heater Enclosure Components:

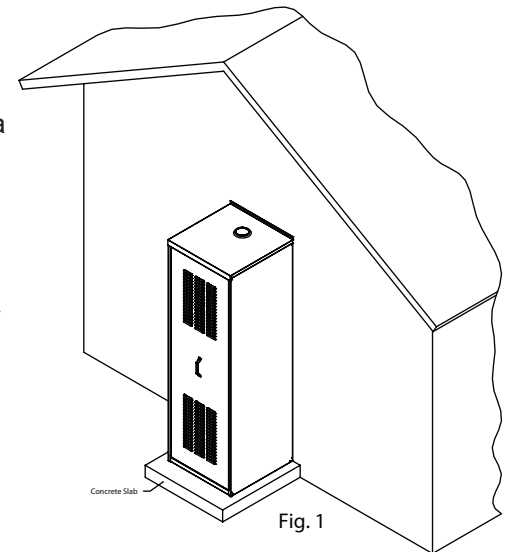
1. Top
2. Right side
3. Left side
4. Bottom beams (2x)
5. Door
6. Back brace
7. Assembly screws (16x)



NOTE: Fasteners for mounting to Building Structure are not included.

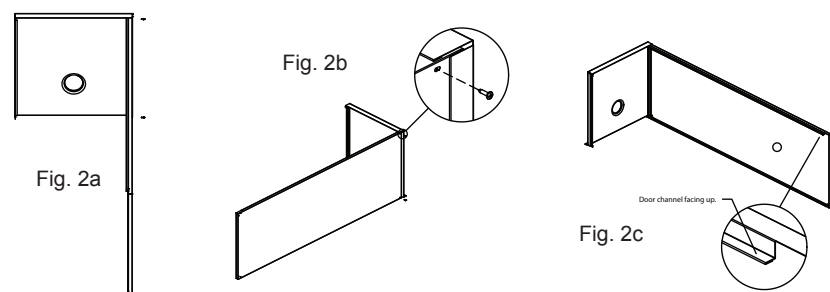
### READ BEFORE YOU START ASSEMBLY:

It is recommended to place water heater and enclosure on a 3-inch thick slab of concrete (check local plumbing codes for specific requirements). You can use a paved or pre-cast slab. Slab must be wider than the enclosure in order to completely support water heater and enclosure. Make sure slab is positioned so enclosure can be fastened to the side of the building structure without obstruction (see Fig. 1).



Directions based on water heater not already on slab. Make adjustments for circumstances as required.

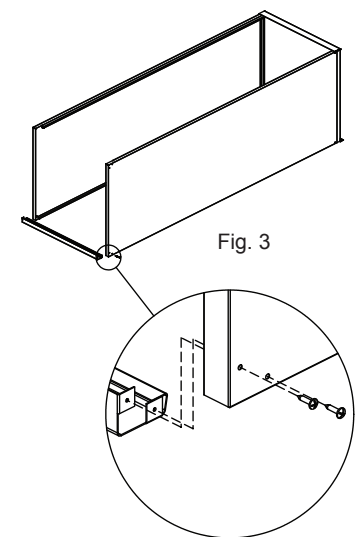
### STEP 1



Place the Top vertically (front side facing up) and insert the Right side perpendicularly with the door channel facing up (see Fig. 2a and 2c). Make sure fastener holes are aligned. Install two Screws (included) with screw driver until hand tight (see Fig. 2b). Repeat for Left side. Make sure the inside door channels are facing up (see Fig. 2c).

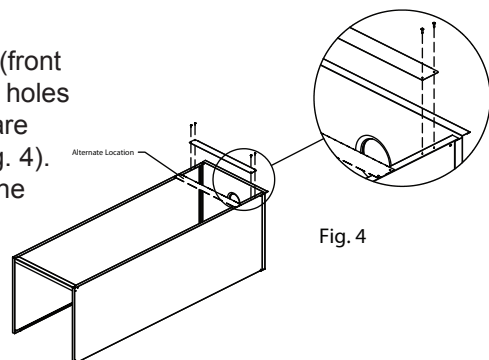
### STEP 2

Align holes of the Bottom beam with fastener holes in both Side panels (positioned at the back of the QUICK SHED™) and install two Screws (included) for each side with screw driver until hand tight (see Fig. 3).



### STEP 3

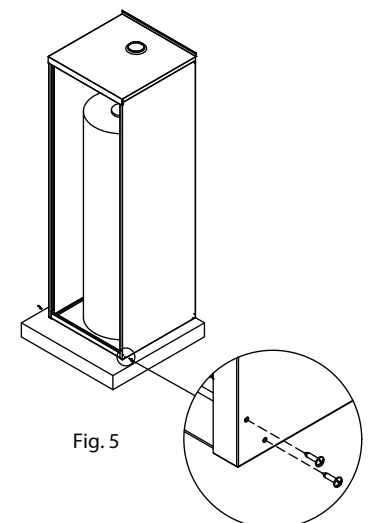
Turn the QUICK SHED™ over (front facing down). Align Back brace holes with the Side panel holes that are 3-inches below the top (see Fig. 4). If plumbing pipes conflict with the Back brace location, use the alternative holes located at 9-inches below the top. Install two Screws (included) through each end of Back brace with screw driver until hand tight.



Place QUICK SHED™ on slab against building structure, but do not secure to building structure yet. Place water heater on slab inside water heater enclosure.

### STEP 4

Align the holes of the second Bottom beam with the fastener holes of both Side panels (positioned at the front of the QUICK SHED™) and install two Screws (included) for each side with screw driver until hand tight (see Fig. 5).



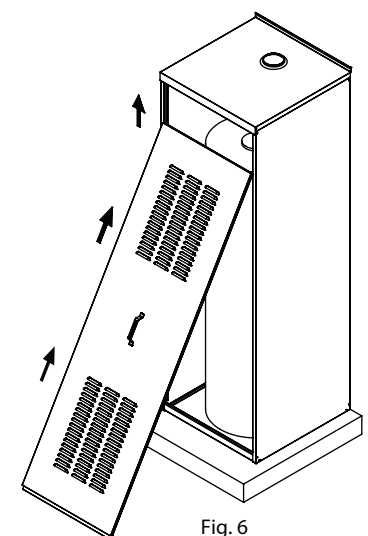
### STEP 5

Finish installing water heater plumbing and venting per local code and water heater manufacturer's instructions.

It is recommended (and local codes may require) that your QUICK SHED™ be attached to the adjoining building structure using proper fasteners, such as screws (not included). Use remaining pre-drilled holes in back flanges or self-drill as needed.

### STEP 6

Place door into position by tilting it forward into the side channels just below the Top flange and slide it upward. Tilt the bottom into place so door is flush to the front (see Fig. 6). Slide down and lock door's bottom tab into the front Bottom beam channel.



**ALWAYS USE SAFETY EQUIPMENT WHEN INSTALLING THIS PRODUCT. USE GLOVES AND EYE PROTECTION AS A MINIMUM.**

2560 Progress Street  
 Vista, CA 92081  
 (800) 321-0316  
 www.holdrite.com