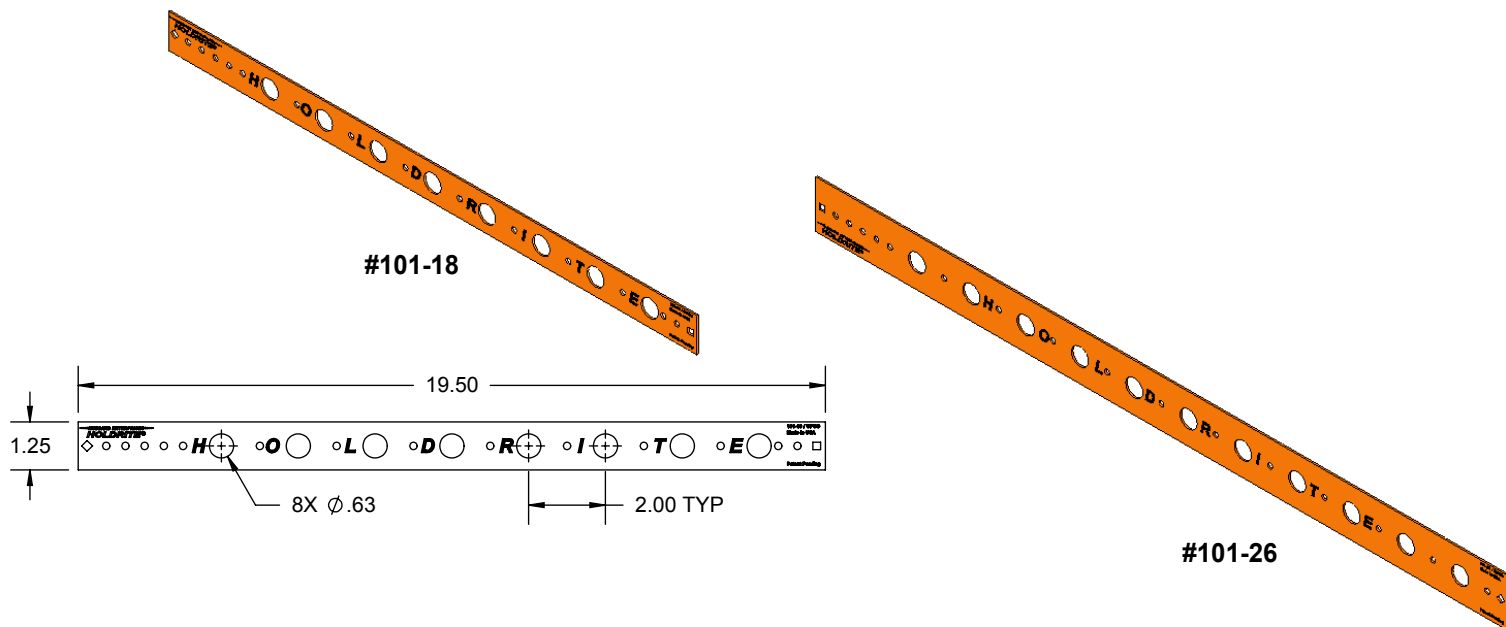


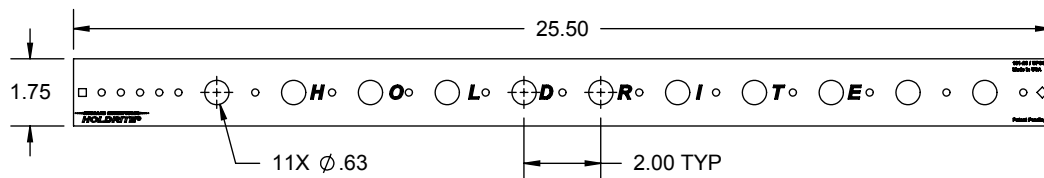
PRODUCT SPECIFICATION DRAWING

HOLDRITE® #101-18 & #101-26

Supports copper water supplies for sinks, water closets and other fixtures



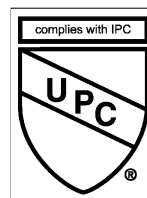
ALL DIMENSIONS IN INCHES



The HOLDRITE #101-18 & #101-26 is a Copper-Bonded™ steel brackets with 5/8" holes on 2" centers to support 1/2" copper tubing. The #101-18 & #101-26 position copper water supplies for sinks, water closets, and other fixtures. When soldering, heat the pipe, not the bracket.

Product Information:

- Material: 16 gage CRS, Copper-Bonded™
- Load rating: 25 pounds
- UPC / IPC / IAPMO listed



THIS INFORMATION IS PROPRIETARY TO HUBBARD ENTERPRISES AND IS SUBJECT TO CHANGE WITHOUT NOTICE. ANY REPRODUCTION IN PART OR WHOLE WITHOUT THE WRITTEN PERMISSION OF HUBBARD ENTERPRISES IS PROHIBITED.

.....HUBBARD ENTERPRISES.....
HOLDRITE®
 "Converting Makeshift Methods into Engineered Solutions"

Product Submittal	
Job Name:	
Date:	
Part Number:	Qty:
Architect / Owner:	
Contractor:	
Notes:	