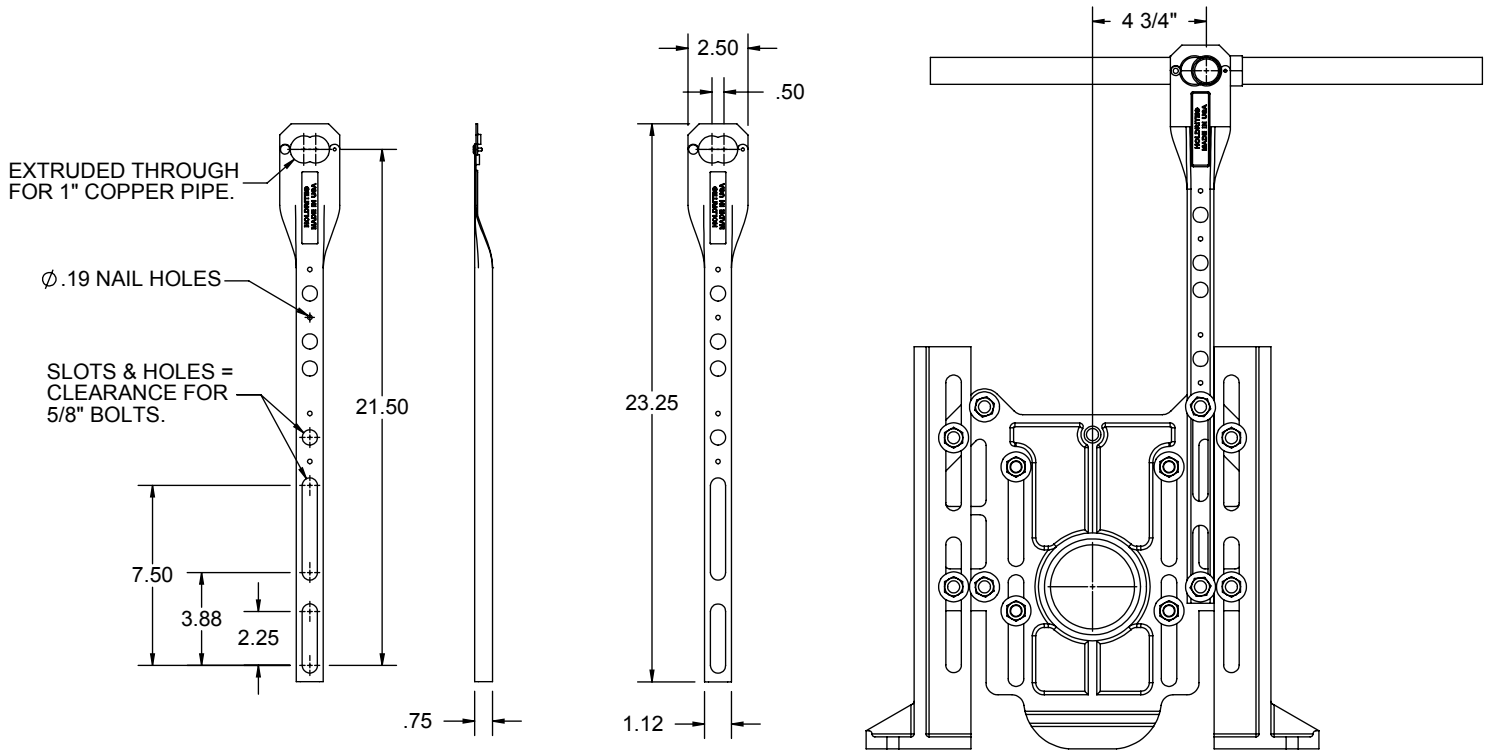


PRODUCT SPECIFICATION DRAWING

HOLDRITE® #114-COH

Supports flush valves on carriers



This heavy-gage Copper-Bonded™ #114-COH offset carrier bracket mounts directly to a 4-bolt siphon jet closet carrier and positions the flush valve at 11 1/2" above the fixture, and offsets it 4-3/4" from the center of the carrier. "Figure 8" hole pattern on top provides 1/4" left or right offset for flush valve support providing a single bracket to be used in a left or right hand installation while providing the desired 4-3/4" center line rough-in. The hinged top assembly allows for placement of a pre-capped 1" copper stub out. When soldering, heat the pipe, not the bracket.

Product Information:

- Material: 16 gage CRS, Copper-Bonded™
- Works with all 4 bolt carriers
- Unique flush valve support hole accommodates a 4-3/4" center line rough-in
- Includes 1/2" holes for positioning various trap primers
- Works with current #114-C-EXT bracket
- Patent Pending

.....HUBBARD ENTERPRISES.....
HOLDRITE®
 "Converting Makeshift Methods into Engineered Solutions"™

Product Submittal	
Job Name:	
Date:	
Part Number:	Qty:
Architect / Owner:	
Contractor:	
Notes:	