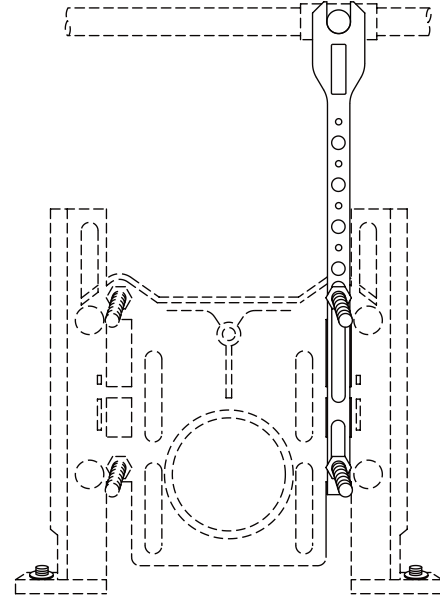
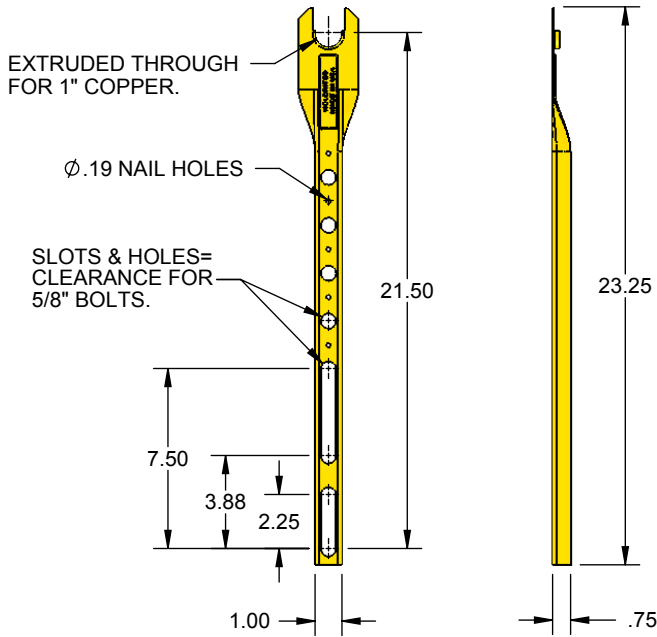


PRODUCT SPECIFICATION DRAWING

HOLDRITE® #114-CR

Supports flush valves on carriers

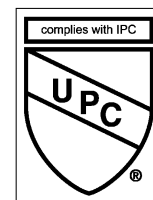


ALL DIMENSIONS IN INCHES

The HOLDRITE® #114-CR is a Copper-Bonded™ steel bracket with two slots for securely mounting upright to the carrier unit. The top end has a single 1-1/8" extruded slot for soldering 1" copper flush valve supply line. Secures the flush valve 4-1/2" from the carrier center and 14" above the top carrier mounting bolt. Excellent for pre-fab. Supports flush valve rough-in prior to wall framing. When soldering, heat the pipe, not the bracket.

Product Information:

- Material: 16 gage CRS, Copper-Bonded™
- Provides consistent "rough-in" dimensions
- Works with all 4 bolt siphon jet carriers
- Works with current #114-C-EXT bracket
- UPC / IPC / IAPMO listed



Product Submittal	
Job Name:	
Date:	
Part Number:	Qty:
Architect / Owner:	
Contractor:	
Notes:	

THIS INFORMATION IS PROPRIETARY TO HUBBARD ENTERPRISES AND IS SUBJECT TO CHANGE WITHOUT NOTICE. ANY REPRODUCTION IN PART OR WHOLE WITHOUT THE WRITTEN PERMISSION OF HUBBARD ENTERPRISES IS PROHIBITED.

••••HUBBARD ENTERPRISES••••

HOLDRITE®

"Converting Makeshift Methods into Engineered Solutions"