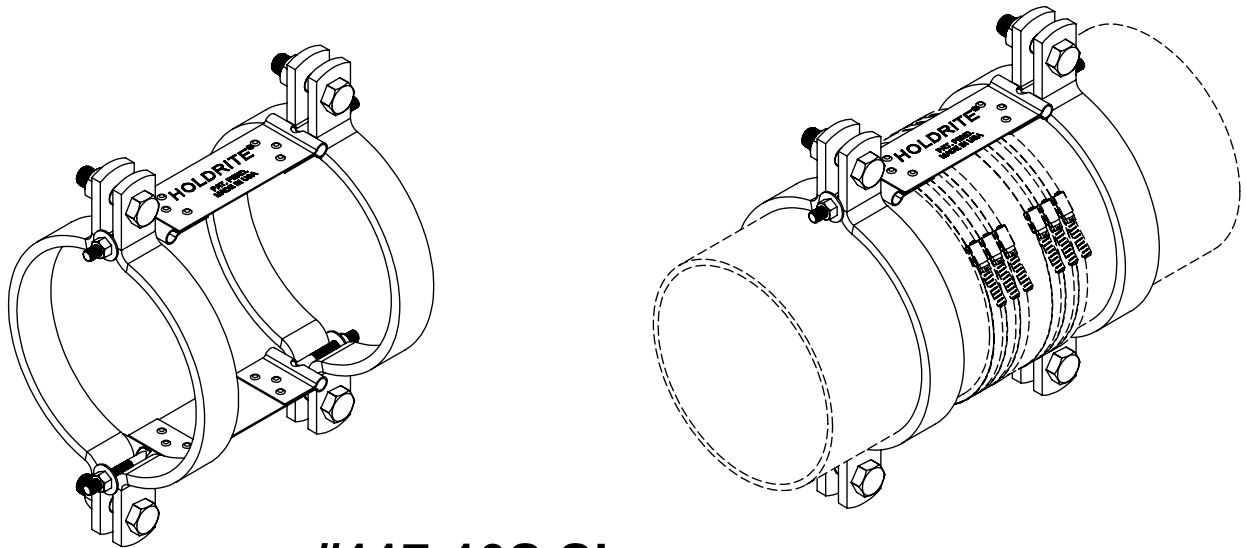


PRODUCT SPECIFICATION DRAWING
HOLDRITE® #117-10S, -12S & -15S Series No-Hub Fitting Restraints



#117-10S Shown

THE HOLDRITE® #117 Series No-Hub Fitting Restraints are designed to reinforce no-hub cast iron installations in accordance with the installation instructions of U.S. cast iron soil pipe manufacturers and the 2006 CISPI Installation Handbook. When installed correctly, these restraint brackets achieve a safe thrust pressure rating equal to 50' head of water pressure.

NOTE:

While these restraint kits aid in compliance with the 2006 CISPI Handbook, they are not intended to suggest that no-hub pipe and fittings should be subjected to pressures in excess of the pipe manufacturers' recommendations.

Product Information:

- Material:
 - Strap: 16GA, CRS, Galvanized Steel
 - Clamp: 10" Heavy Duty Steel Pipe Clamp
- Patent pending
- Thrust force restraint test data available upon request

Product Submittal	
Job Name:	
Date:	
Part Number:	Qty:
Architect / Owner:	
Contractor:	
Notes:	

