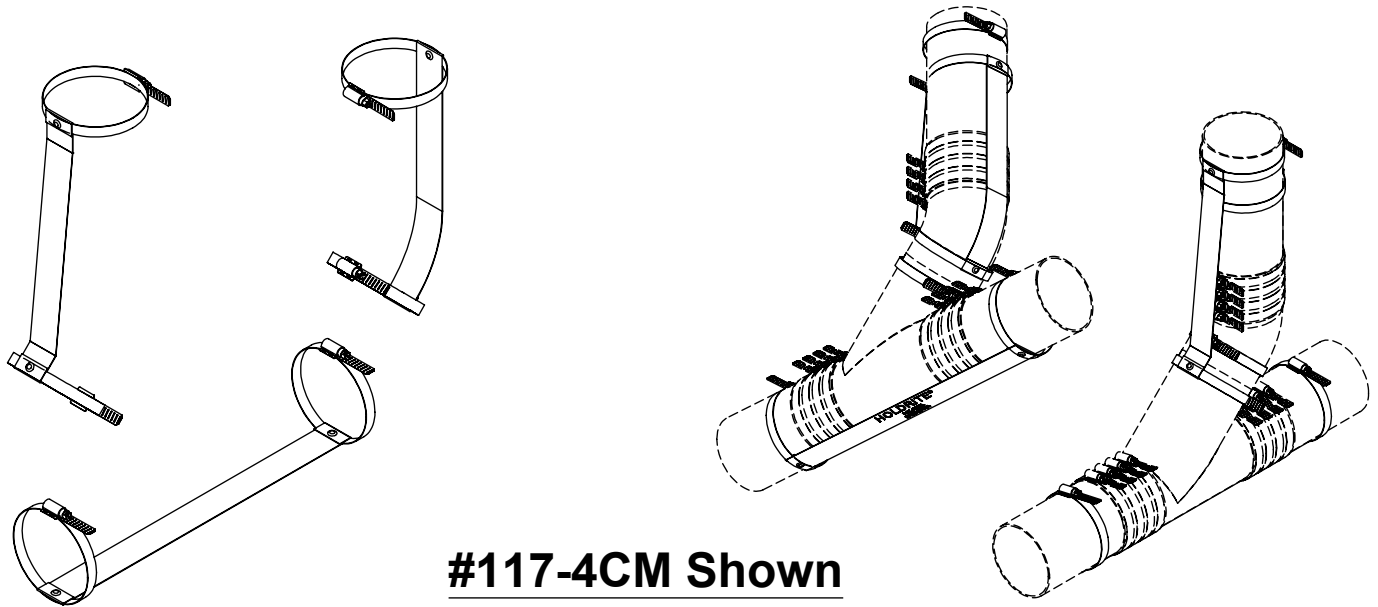


**PRODUCT SPECIFICATION DRAWING**  
**HOLDRITE® #117-4CM, -5CM, -6CM & -8CM Series Retention Strap Kits**



THE HOLDRITE® #117 Series Retention Strap Kits are designed to reinforce no-hub cast iron installations in accordance with the installation instructions of U.S. cast iron soil pipe manufacturers and the 2006 CISPI Installation Handbook. The #117-4CM (4" size), #117-5CM (5" size), #117-6CM (6" size) & #117-8CM (8" size) retain the Combo onto the adjoining piping. All six stainless steel bands must be tightened to 60 in/lbs minimum. When installed correctly, these restraint brackets achieve a safe thrust pressure rating equal to 50' head of water pressure.

**NOTE:**

While these restraint kits aid in compliance with the 2006 CISPI Handbook, they are not intended to suggest that no-hub pipe and fittings should be subjected to pressures in excess of the pipe manufacturers' recommendations.

**Product Information:**

- Material:
  - Strap: 24GA, CRS, galvanized
  - Bands: Stainless steel body, band & screw
- Torque: 60 in/lbs. minimum on band
- Patent pending
- Thrust force restraint test data available upon request

Product Submittal	
Job Name:	
Date:	
Part Number:	Qty:
Architect / Owner:	
Contractor:	
Notes:	

