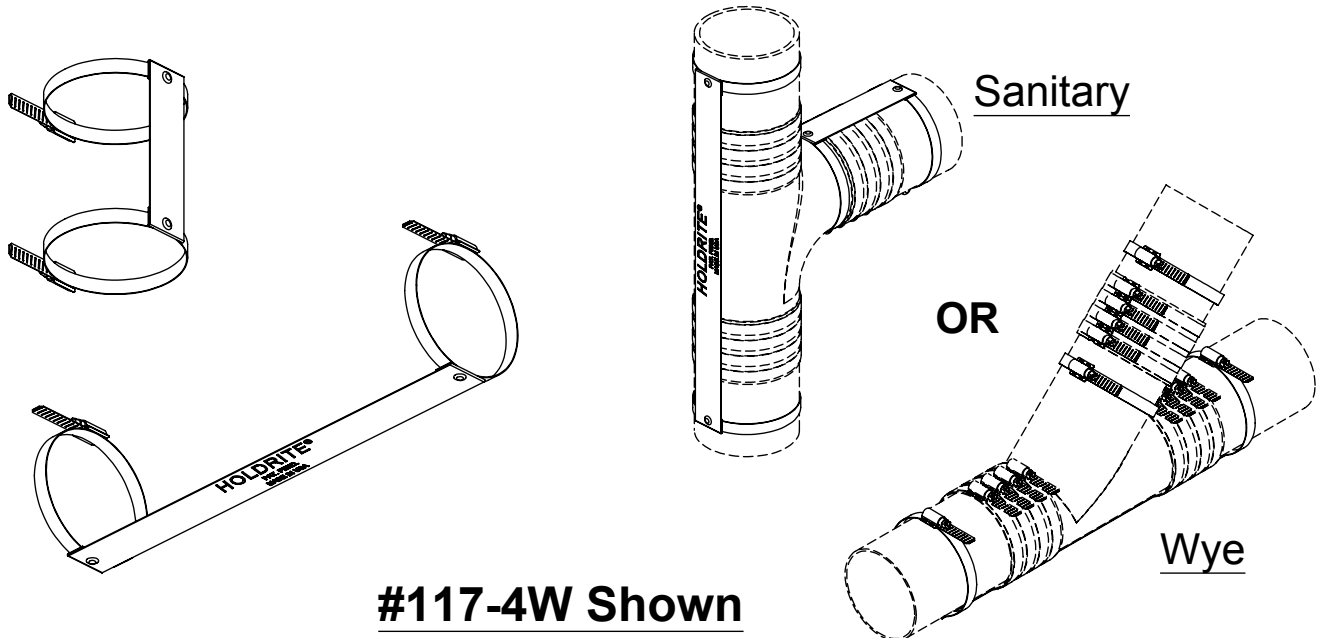


PRODUCT SPECIFICATION DRAWING
HOLDRITE® #117-4W, -5W, -6W & -8W Series No-Hub Fitting Restraints



THE HOLDRITE® #117 Series No-Hub Fitting Restraints are designed to reinforce no-hub cast iron installations in accordance with the installation instructions of U.S. cast iron soil pipe manufacturers and the 2006 CISPI Installation Handbook. The #117-4W thru #117-8W (4" - 8" pipe size) retain the Wye or Sanitary Tee onto the adjoining piping. All four stainless steel bands must be tightened to 60 in/lbs minimum. When installed correctly, these restraint brackets achieve a safe thrust pressure rating equal to 50' head of water pressure.

NOTE:

While these restraint kits aid in compliance with the 2006 CISPI Handbook, they are not intended to suggest that no-hub pipe and fittings should be subjected to pressures in excess of the pipe manufacturers' recommendations.

Product Information:

- Material:
 - Strap: 24GA, CRS, galvanized
 - Bands: Stainless steel body, band & screw
- Torque: 60 in/lbs. minimum on band
- Patent pending
- Thrust force restraint test data available upon request

Product Submittal	
Job Name:	
Date:	
Part Number:	Qty:
Architect / Owner:	
Contractor:	
Notes:	

