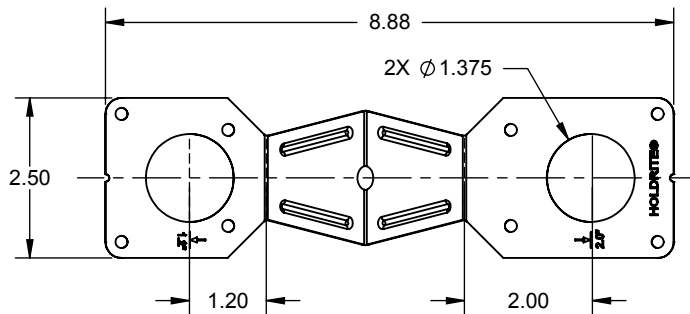
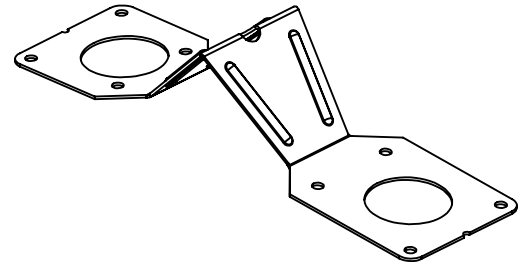
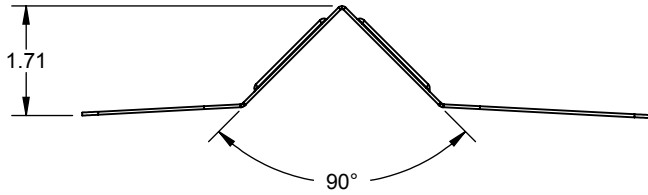


PRODUCT SPECIFICATION DRAWING

HOLDRITE® HANGOVER™ #125



ALL DIMENSIONS IN INCHES

The **HOLDRITE® HANGOVER™** concrete insert brackets are installed on wood forms for use with cast-in-place concrete slabs. When the wood forms are stripped away, the **HOLDRITE® HANGOVER™** bracket is ready to support up to 1" CTS for horizontal pipe runs.

Product Information:

- Material: 18 gage CRS, galvanized per ASTM-A653, G90
- Load rating: 150 pound load rating in 3000 psi concrete, safety factor = 3
- Complies with load requirements of MSS SP-58
- Supports 1/2", 3/4" and 1" tubing with available inserts
- Patent Pending

Product Submittal	
Job Name:	
Date:	
Part Number:	Qty:
Architect / Owner:	
Contractor:	
Notes:	

