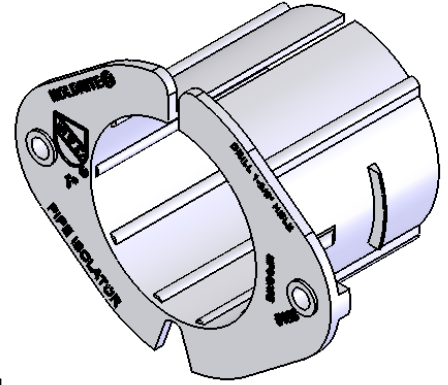
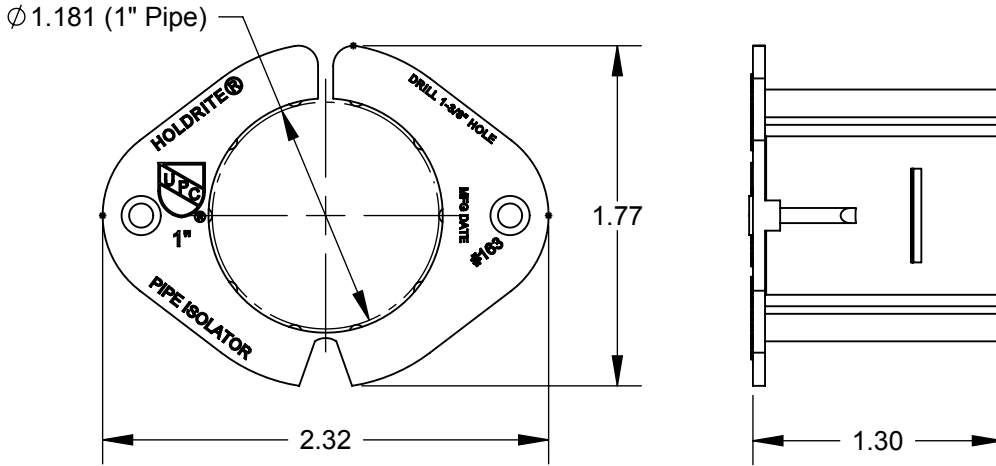


PRODUCT SPECIFICATION DRAWING HOLDRITE® #163 THROUGH STUD ISOLATOR

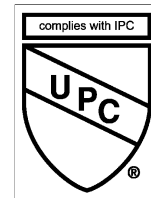


ALL DIMENSIONS IN INCHES

The **HOLDRITE #163 Through Stud Isolator** is ideal for positioning 1" CTS tubing (Copper, CPVC or PEX) passing through a 1-3/8" hole in wood or metal framing materials. Also provides protection against damage caused by abrasion and dissimilar metal contact.

Product Information:

- Material: Polyethylene, Low Density, Light Gray.
- Temperature range: -10° to +180°F
- Load rating: 25 lbs
- UPC / IPC / IAPMO listed



Product Submittal	
Job Name:	
Date:	
Part Number:	Qty:
Architect / Owner:	
Contractor:	
Notes:	

THIS INFORMATION IS PROPRIETARY TO HUBBARD ENTERPRISES AND IS SUBJECT TO CHANGE WITHOUT NOTICE. ANY REPRODUCTION IN PART OR WHOLE WITHOUT THE WRITTEN PERMISSION OF HUBBARD ENTERPRISES IS PROHIBITED.

.....HUBBARD ENTERPRISES.....
HOLDRITE®
"Converting Makeshift Methods into Engineered Solutions"