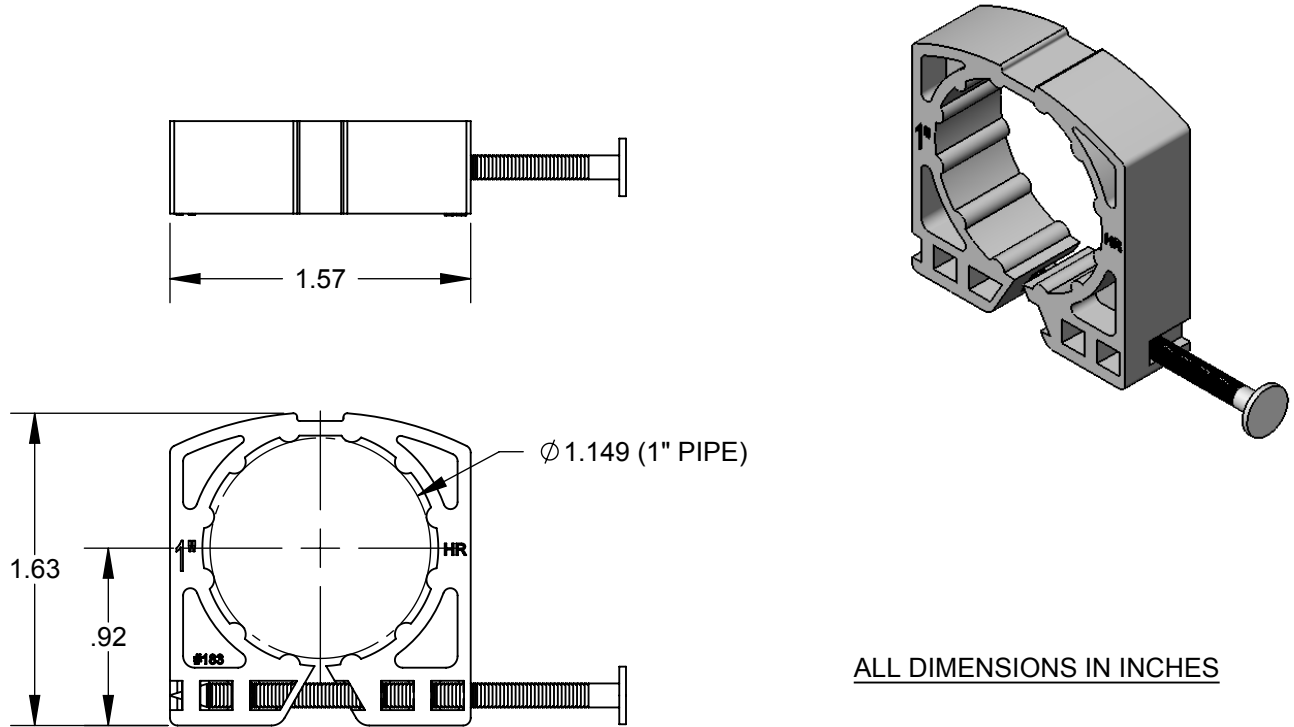


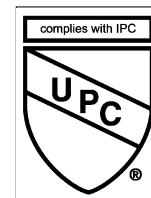
PRODUCT SPECIFICATION DRAWING HOLDRITE® #183 SINGLE NAIL CLAMP



The **HOLDRITE #183 Single Nail Clamp** is ideal for "Surface Mounted" positioning of 1" CTS tubing (Copper, CPVC or PEX). The nail is pre-loaded into the clamp for quick installation. Provides protection against tubing damage caused by abrasion or dissimilar metal contact.

Product Information:

- Material: Polypropylene, Light Gray.
- Temperature range: -10° to +160°F
- Load rating: 25 lbs
- UPC / IPC / IAPMO listed



Product Submittal	
Job Name:	
Date:	
Part Number:	Qty:
Architect / Owner:	
Contractor:	
Notes:	

THIS INFORMATION IS PROPRIETARY TO HUBBARD ENTERPRISES AND IS SUBJECT TO CHANGE WITHOUT NOTICE. ANY REPRODUCTION IN PART OR WHOLE WITHOUT THE WRITTEN PERMISSION OF HUBBARD ENTERPRISES IS PROHIBITED.

.....HUBBARD ENTERPRISES.....

HOLDRITE®

"Converting Makeshift Methods into Engineered Solutions"