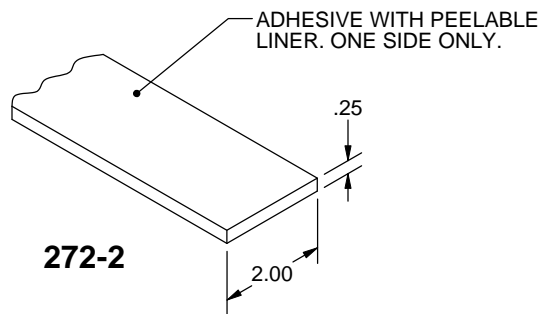
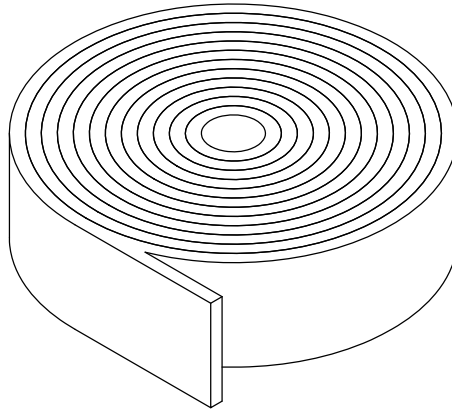


PRODUCT SPECIFICATION DRAWING

Felt 272-2 (Accessory)



Felt #272-2 HOLDRITE® Isolating felt for use in eliminating dissimilar metal contact and providing sound and vibration isolation. One side is self-adhesive. Available in 25' roll.



Product Information:

- Material: White Polyester Felt, pressure-sensitive adhesive (PSA), rubber base, one side only

THIS INFORMATION IS PROPRIETARY TO HUBBARD ENTERPRISES AND IS SUBJECT TO CHANGE WITHOUT NOTICE. ANY REPRODUCTION IN PART OR WHOLE WITHOUT THE WRITTEN PERMISSION OF HUBBARD ENTERPRISES IS PROHIBITED.

••••HUBBARD ENTERPRISES••••
HOLDRITE®
"Converting Makeshift Methods into Engineered Solutions"

Product Submittal	
Job Name:	
Date:	
Part Number:	Qty:
Architect / Owner:	
Contractor:	
Notes:	