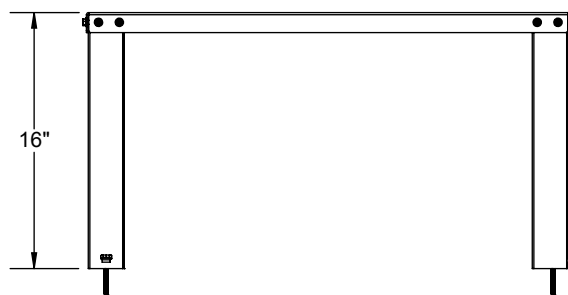
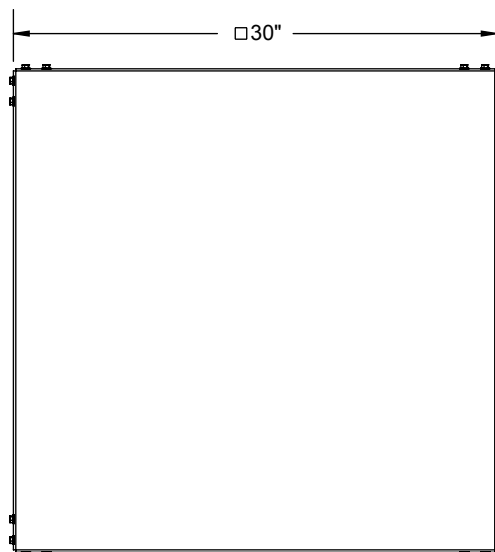
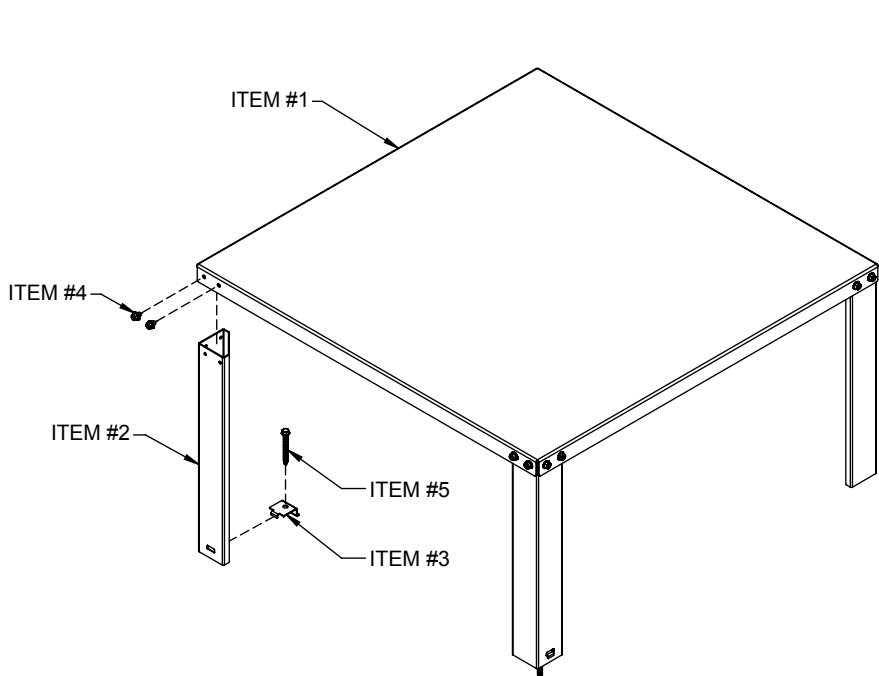


# PRODUCT SPECIFICATION DRAWING

## QUICKSTAND™ 30" X 30" (Water Heater & Equipment Support)

### #40-S-30-A (assembled) and #40-S-30-U (unassembled)



ALL DIMENSIONS IN INCHES

**The QUICKSTAND™ #40-S-30- (A or U) stand safely elevates water heaters and other equipment above the floor (1,200 lbs rating).**

#### Product Information:

- **Material:**
  - Item #1: Top, 12 gage CRS, galvanized
  - Item #2: Leg, 16 gage CRS, galvanized, 4 places
  - Item #3: Safety Clip, 14 gage CRS, galvanized, 2 places
  - Item #4: SMS, Phillips Hex Head Washer, w/Serrated Under Head, #1/4-14 X 1/2"L, 16 places
  - Item #5: Lag Bolt, #1/4-10 X 2-1/2"L, self-drilling, 2 places
  - (items #3 and #5 included with product)
- Engineered and lab tested to meet Uniform Plumbing Code (UPC) and International Plumbing Code (IPC) requirements, including elevation of water heater's ignition source 18" above the floor
- Holds up to 1,200 pounds capacity (up to 100 U.S. gallon tanks)
- QUICKSTAND™ weight 36 pounds without packaging
- Available in assembled and unassembled configurations

Product Submittal	
Job Name:	
Date:	
Part Number:	Qty:
Architect / Owner:	
Contractor:	
Notes:	

.....HUBBARD ENTERPRISES.....  
**HOLDRITE®**  
 "Converting Makeshift Methods into Engineered Solutions"™SHE