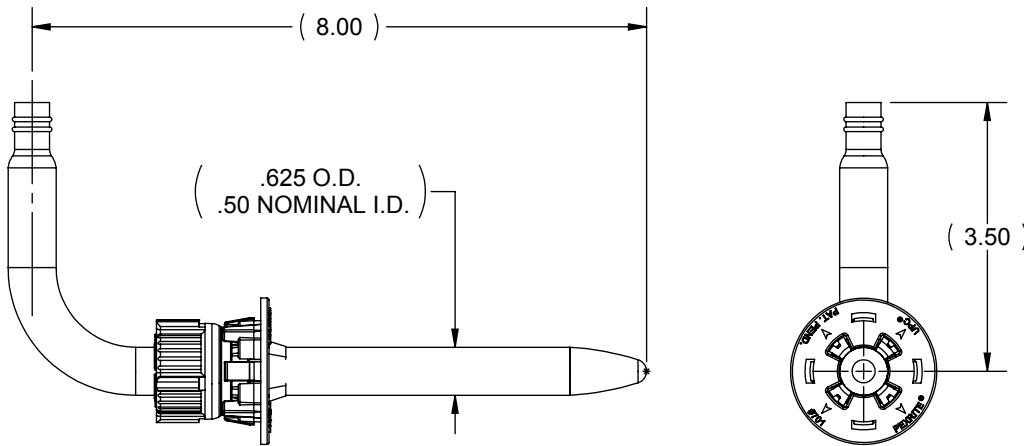
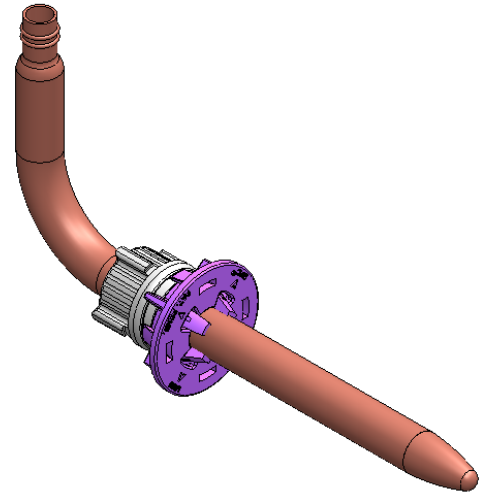


PRODUCT SPECIFICATION DRAWING

PEXRITE® #701-0538P

ALL DIMENSIONS IN INCHES



The PEXRITE® #701-0538P is an assembly consisting of a PEXRITE #701 Clamp and a 1/2" x 3" x 8" 90° copper stub-out bullet. This assembly fits into several HOLDRITE / PEXRITE Brackets to provide a fast, easy, secure fixture water supply stub-out without the need for tools or hardware.

Product Information:

- Material: Clamp (Nylon) & Bullet (Copper)
- Temperature range: -10°F to +140°F
- Load rating: 25 pounds
- Clamp: UPC / IPC / IAPMO listed
- Copper Bullet: Meets ISO and ASTM standard

Product Submittal	
Job Name:	
Date:	
Part Number:	Qty:
Architect / Owner:	
Contractor:	
Notes:	

THIS INFORMATION IS PROPRIETARY TO HUBBARD ENTERPRISES AND IS SUBJECT TO CHANGE WITHOUT NOTICE. ANY REPRODUCTION IN PART OR WHOLE WITHOUT THE WRITTEN PERMISSION OF HUBBARD ENTERPRISES IS PROHIBITED.

.....HUBBARD ENTERPRISES.....

HOLDRITE®

"Converting Makeshift Methods into Engineered Solutions"