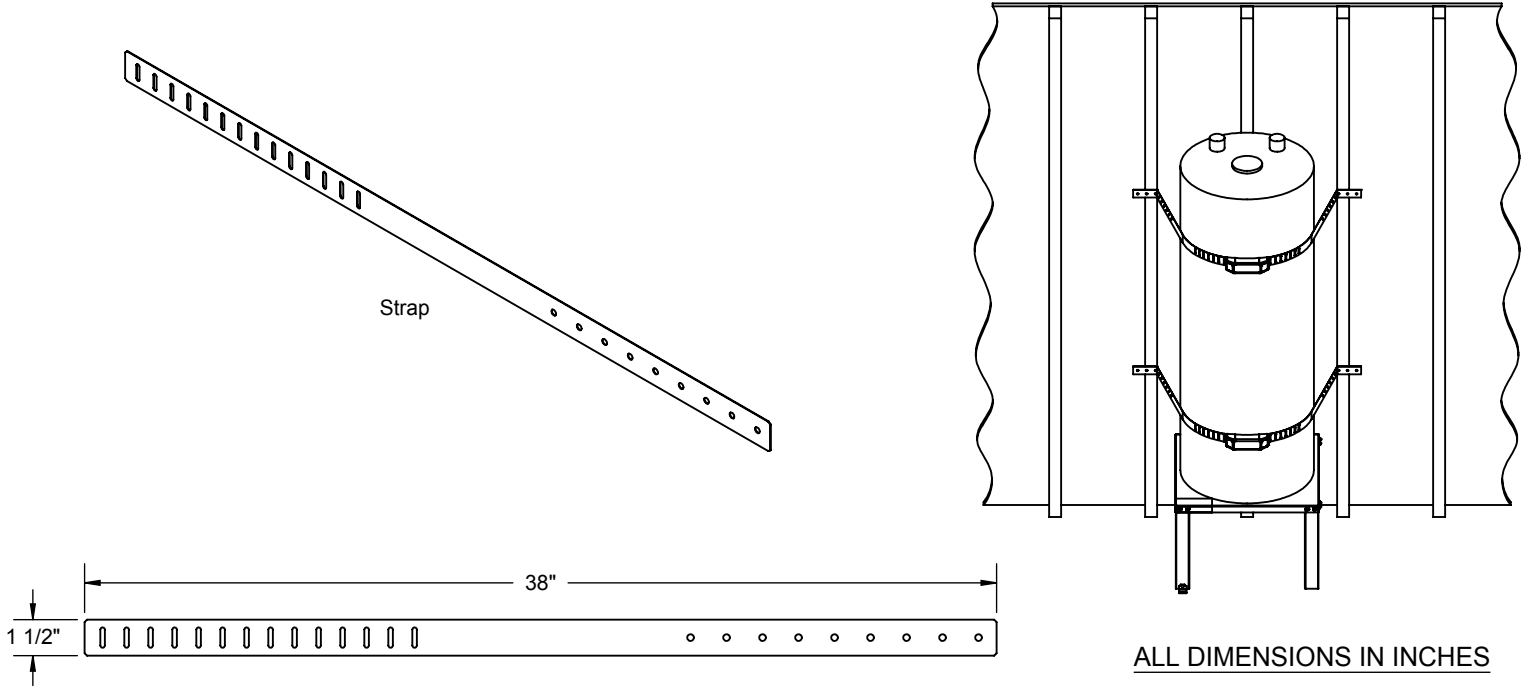


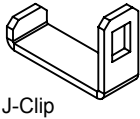
PRODUCT SPECIFICATION DRAWING

QUICK STRAP® #QS-50-D

Seismic support for water heaters



ALL DIMENSIONS IN INCHES



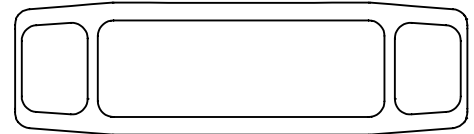
J-Clip



Carriage Bolt, #3/8-16 x 3.0" long



3/8" Hex Nut



Cap

The QUICK STRAP® #QS-50-D is a seismic/earthquake support system for water heaters up to 80 U.S. gallons in size. The system includes: (4) Straps, (2) J-Clips, (2) 3/8" Carriage Bolts, (2) Caps and (2) 3/8" Hex Nuts. The Quick Link® system allows for full adjustment from the front side of the water heater.

Product Information:

- Material: Strap, 24 gage CRS, galvanized
- Finish: Powder coat, polyester, white texture
- California Division State Architect (DSA) approval #97-010
- UPC / IPC / IAPMO listed



Product Submittal	
Job Name:	
Date:	
Part Number:	Qty:
Architect / Owner:	
Contractor:	
Notes:	

.....HUBBARD ENTERPRISES.....
HOLDRITE®
 "Converting Makeshift Methods into Engineered Solutions"™