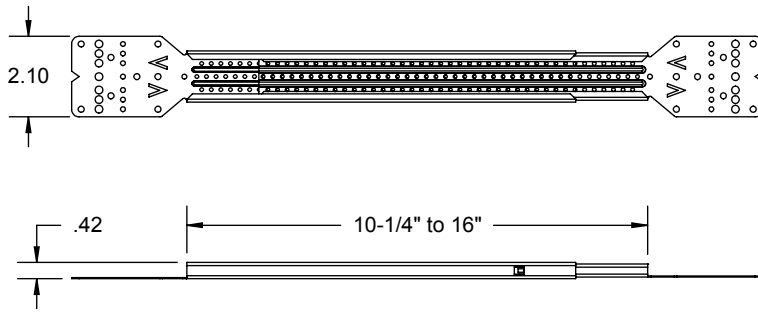


# PRODUCT SPECIFICATION DRAWING

## HOLDRITE Stout Bracket® #SB3 & #SB4

### Telescoping Support System

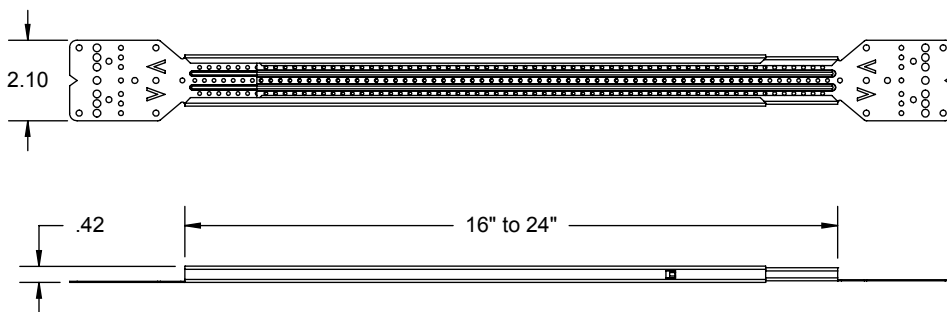


**SCALE: 1 / 5**

#### #SB3

Beam Span	Maximum Load (lbs.)
Inches	Center Pt. Load
10-1/4"	863 lbs
14-1/2"	480 lbs
16"	322 lbs

ALL DIMENSIONS IN INCHES



#### #SB4

Beam Span	Maximum Load (lbs.)
Inches	Center Pt. Load
16"	550 lbs
22-1/2"	271 lbs
24"	228 lbs

Hole pattern permits attachment of a wide variety of Clamps, Fittings, J-Boxes, Outlet Boxes, etc. The wide face provides excellent stability and is also ideal for attachment of both 2-eared and 3-eared shower head and tub spout 90°. Bracket attaches between studs in span from 10-1/4" through 25-1/2" (depending on model #). End tabs bend easily at 3/4", 1-1/2" & 2-1/4" for in-wall set backs. Optional nailer tabs can be used for quick attachment to wood studs for positioning purposes.

#### Product Information:

- Material: 24 gage CRS, galvanized per ASTM-A653, G90
- UPC / IPC / IAPMO listed
- UL listing



THIS INFORMATION IS PROPRIETARY TO HUBBARD ENTERPRISES AND IS SUBJECT TO CHANGE WITHOUT NOTICE. ANY REPRODUCTION IN PART OR WHOLE WITHOUT THE WRITTEN PERMISSION OF HUBBARD ENTERPRISES IS PROHIBITED.

*••••HUBBARD ENTERPRISES••••*  
**HOLDRITE®**  
*"Converting Makeshift Methods into Engineered Solutions"*

Product Submittal	
Job Name:	
Date:	
Part Number:	Qty:
Architect / Owner:	
Contractor:	
Notes:	