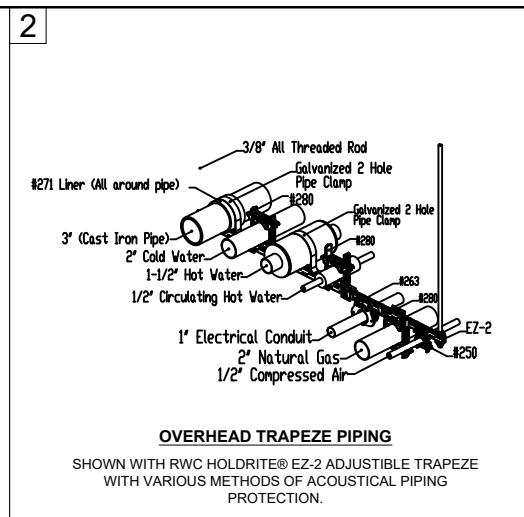


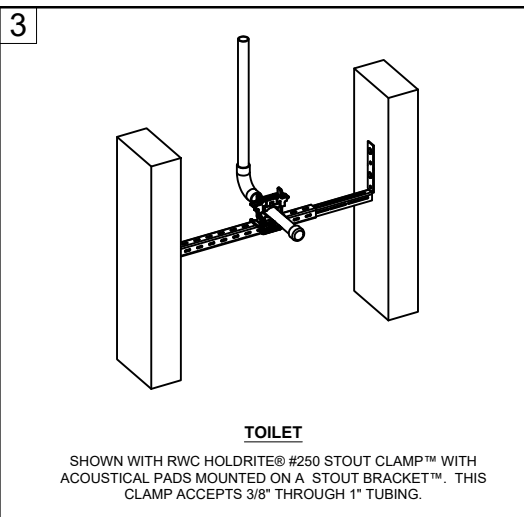
**LAVATORY / SINK (OR SIMILAR)**

SHOWN WITH RWC HOLDRITE® #250 STOUT CLAMPS™ WITH ACOUSTICAL PADS MOUNTED ON A STOUT BRACKET™. THESE CLAMPS ACCEPT 3/8" THROUGH 1" TUBING.



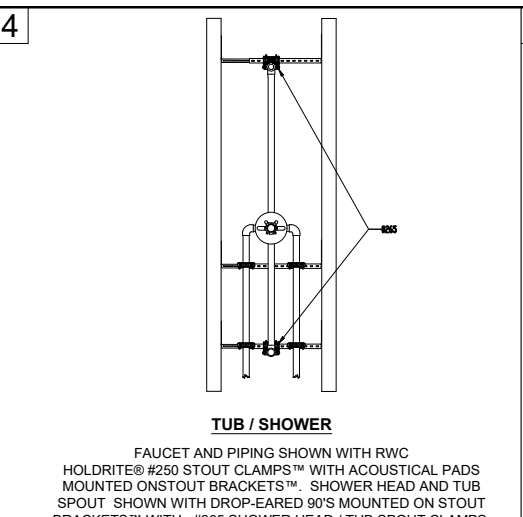
**OVERHEAD TRAPEZE PIPING**

SHOWN WITH RWC HOLDRITE® EZ-2 ADJUSTIBLE TRAPEZE WITH VARIOUS METHODS OF ACOUSTICAL PIPING PROTECTION.



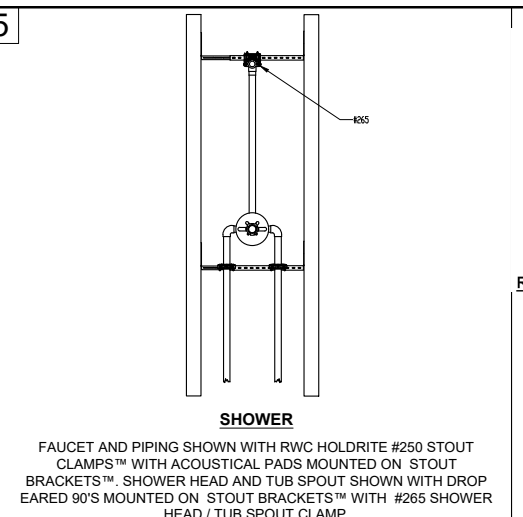
**TOILET**

SHOWN WITH RWC HOLDRITE® #250 STOUT CLAMP™ WITH ACOUSTICAL PADS MOUNTED ON A STOUT BRACKET™. THIS CLAMP ACCEPTS 3/8" THROUGH 1" TUBING.



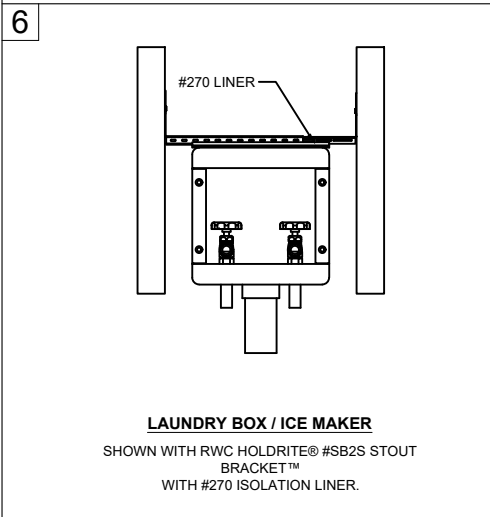
**TUB / SHOWER**

FAUCET AND PIPING SHOWN WITH RWC HOLDRITE® #250 STOUT CLAMPS™ WITH ACOUSTICAL PADS MOUNTED ON STOUT BRACKETS™. SHOWER HEAD AND TUB SPOUT SHOWN WITH DROP-EARED 90'S MOUNTED ON STOUT BRACKETS™ WITH #265 SHOWER HEAD / TUB SPOUT CLAMPS.



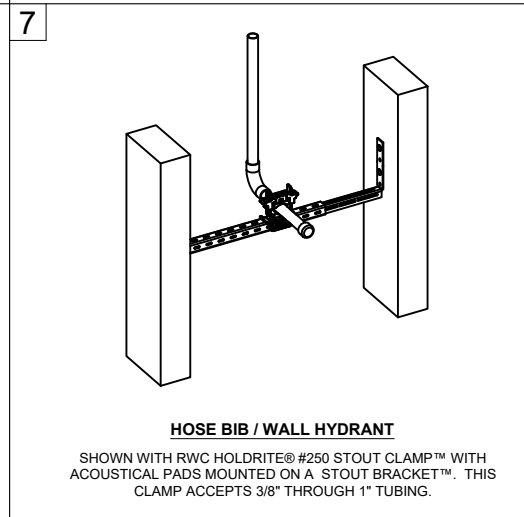
**SHOWER**

FAUCET AND PIPING SHOWN WITH RWC HOLDRITE #250 STOUT CLAMPS™ WITH ACOUSTICAL PADS MOUNTED ON STOUT BRACKETS™. SHOWER HEAD AND TUB SPOUT SHOWN WITH DROP EARED 90'S MOUNTED ON STOUT BRACKETS™ WITH #265 SHOWER HEAD / TUB SPOUT CLAMP.



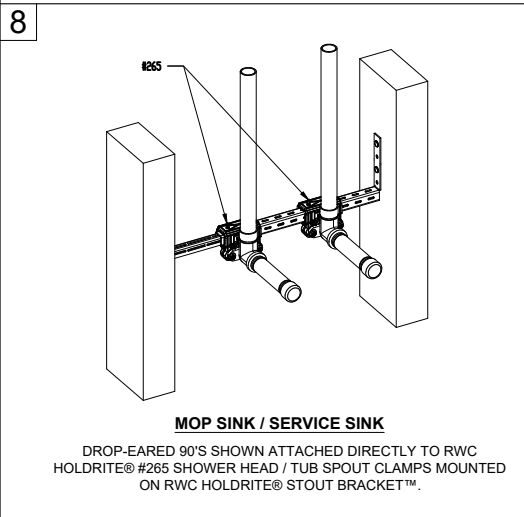
**LAUNDRY BOX / ICE MAKER**

SHOWN WITH RWC HOLDRITE® #250 STOUT CLAMP™ WITH #270 ISOLATION LINER.



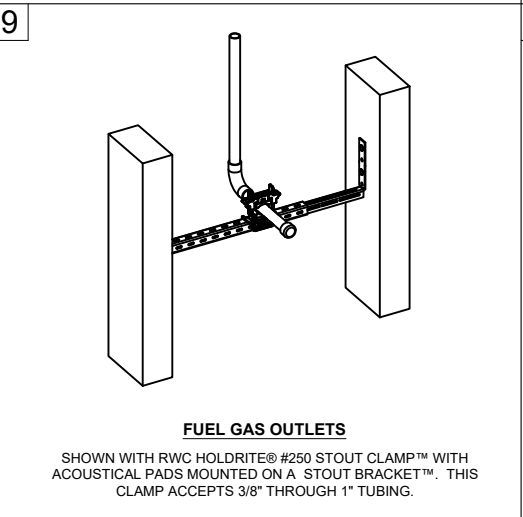
**HOSE BIB / WALL HYDRANT**

SHOWN WITH RWC HOLDRITE® #250 STOUT CLAMP™ WITH ACOUSTICAL PADS MOUNTED ON A STOUT BRACKET™. THIS CLAMP ACCEPTS 3/8" THROUGH 1" TUBING.



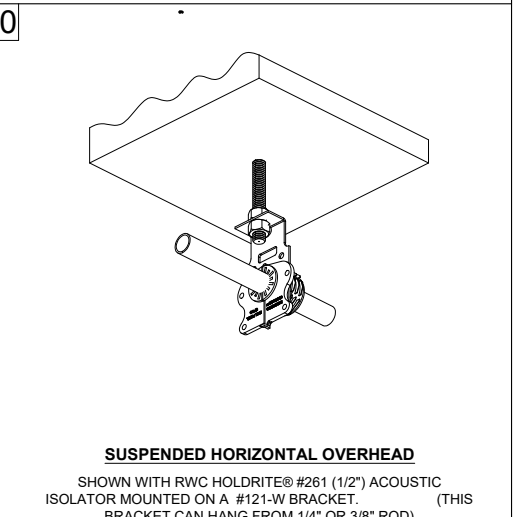
**MOP SINK / SERVICE SINK**

DROP-EARED 90'S SHOWN ATTACHED DIRECTLY TO RWC HOLDRITE® #265 SHOWER HEAD / TUB SPOUT CLAMPS MOUNTED ON RWC HOLDRITE® STOUT BRACKET™.



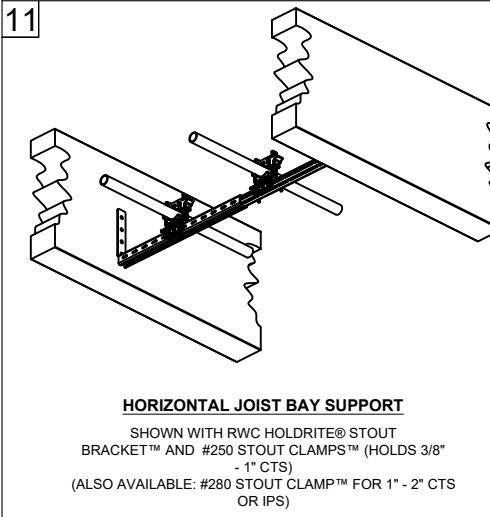
**FUEL GAS OUTLETS**

SHOWN WITH RWC HOLDRITE® #250 STOUT CLAMP™ WITH ACOUSTICAL PADS MOUNTED ON A STOUT BRACKET™. THIS CLAMP ACCEPTS 3/8" THROUGH 1" TUBING.



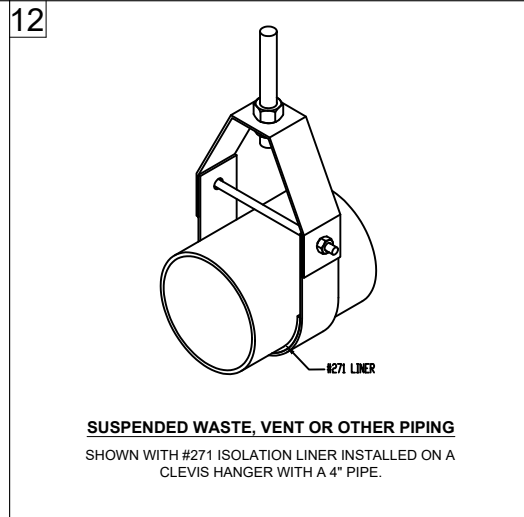
**SUSPENDED HORIZONTAL OVERHEAD**

SHOWN WITH RWC HOLDRITE® #261 (1/2") ACOUSTIC ISOLATOR MOUNTED ON A #121-W BRACKET. (THIS BRACKET CAN HANG FROM 1/4" OR 3/8" ROD)



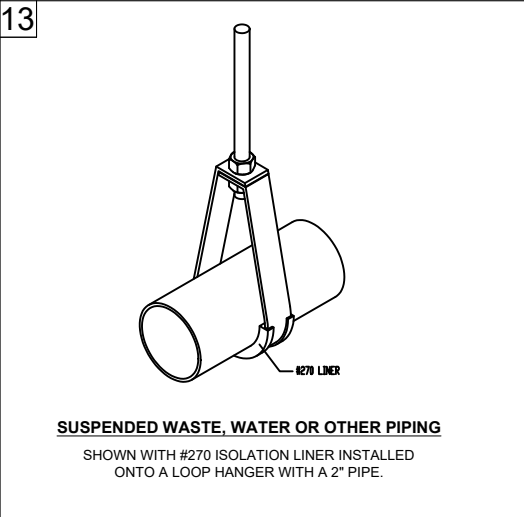
**HORIZONTAL JOIST BAY SUPPORT**

SHOWN WITH RWC HOLDRITE® STOUT BRACKET™ AND #250 STOUT CLAMPS™ (HOLDS 3/8" - 1" CTS) (ALSO AVAILABLE: #280 STOUT CLAMP™ FOR 1" - 2" CTS OR IPS)



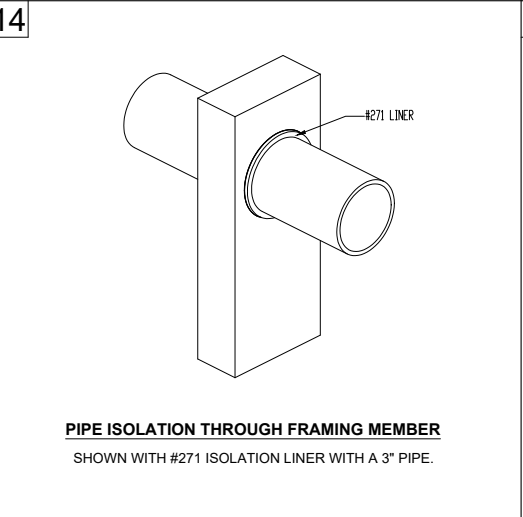
**SUSPENDED WASTE, VENT OR OTHER PIPING**

SHOWN WITH #271 ISOLATION LINER INSTALLED ON A CLEVIS HANGER WITH A 4" PIPE.



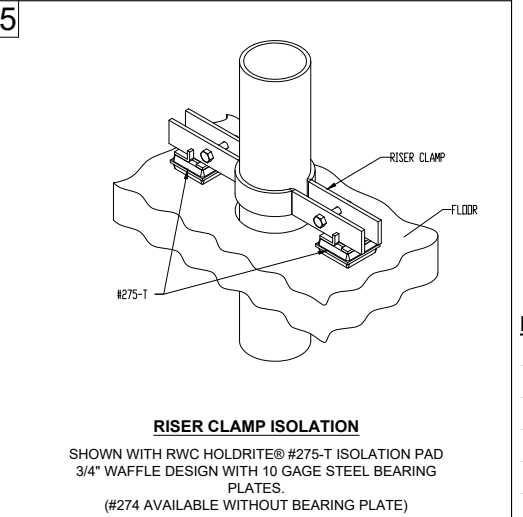
**SUSPENDED WASTE, WATER OR OTHER PIPING**

SHOWN WITH #270 ISOLATION LINER INSTALLED ONTO A LOOP HANGER WITH A 2" PIPE.



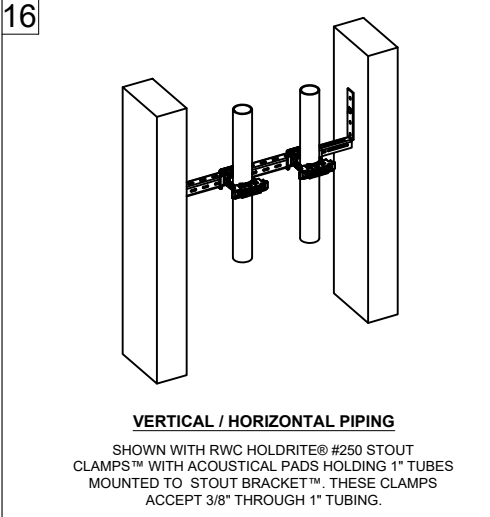
**PIPE ISOLATION THROUGH FRAMING MEMBER**

SHOWN WITH #271 ISOLATION LINER WITH A 3" PIPE.



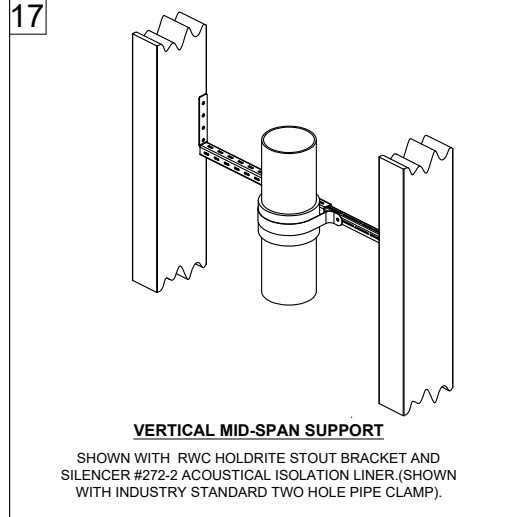
**RISER CLAMP ISOLATION**

SHOWN WITH RWC HOLDRITE® #275-T ISOLATION PAD 3/4" WAFFLE DESIGN WITH 10 GAGE STEEL BEARING PLATES. (#274 AVAILABLE WITHOUT BEARING PLATE)



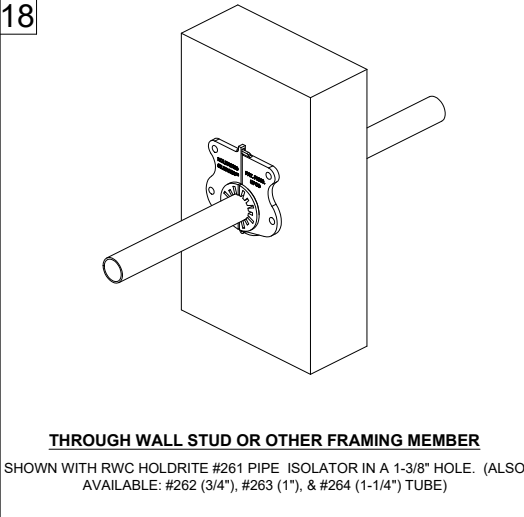
**VERTICAL / HORIZONTAL PIPING**

SHOWN WITH RWC HOLDRITE® #250 STOUT CLAMPS™ WITH ACOUSTICAL PADS HOLDING 1" TUBES MOUNTED TO STOUT BRACKET™. THESE CLAMPS ACCEPT 3/8" THROUGH 1" TUBING.



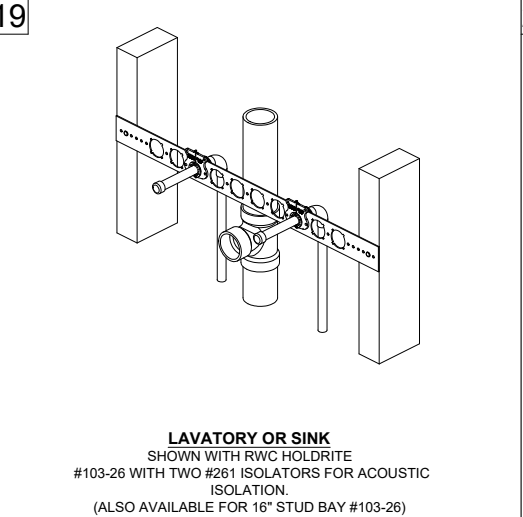
**VERTICAL MID-SPAN SUPPORT**

SHOWN WITH RWC HOLDRITE STOUT BRACKET AND SILENCER #272-2 ACOUSTICAL ISOLATION LINER (SHOWN WITH INDUSTRY STANDARD TWO HOLE PIPE CLAMP).



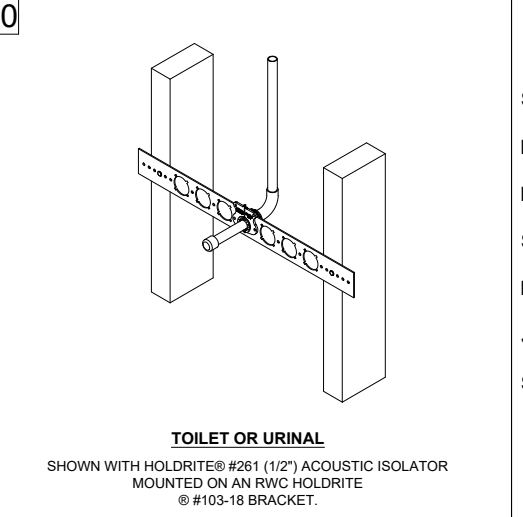
**THROUGH WALL STUD OR OTHER FRAMING MEMBER**

SHOWN WITH RWC HOLDRITE #261 PIPE ISOLATOR IN A 1-3/8" HOLE. (ALSO AVAILABLE: #262 (3/4"), #263 (1"), & #264 (1-1/4") TUBE)



**LAVATORY OR SINK**

SHOWN WITH RWC HOLDRITE #103-26 WITH TWO #261 ISOLATORS FOR ACOUSTIC ISOLATION. (ALSO AVAILABLE FOR 16" STUD BAY #103-26)

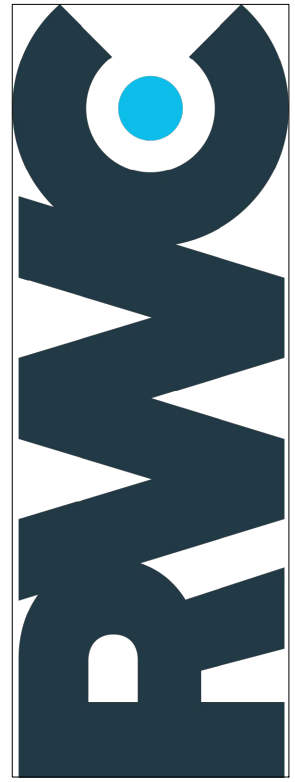


**TOILET OR URINAL**

SHOWN WITH HOLDRITE® #261 (1/2") ACOUSTIC ISOLATOR MOUNTED ON AN RWC HOLDRITE #103-18 BRACKET.

RELIANCE WORLDWIDE CORPORATION®  
EZ-STRUT™  
PEXRITE®  
LOCKRITE™  
TESTRITE™  
QUICKSTRAP®

RWC HOLDRITE® SILENCER™ SYSTEM



Revision: \_\_\_\_\_  
\_\_\_\_\_  
\_\_\_\_\_  
\_\_\_\_\_

Sheet Title:  
**RWC Installation Details**  
Date:  
Scale: None  
Drawn:  
Job #:  
Sheet #:

THE INFORMATION CONTAINED IN THIS DRAWING IS THE SOLE PROPERTY OF RELIANCE WORLDWIDE CORPORATION. ANY REPRODUCTION IN PART OR WHOLE WITHOUT THE WRITTEN PERMISSION OF RELIANCE WORLDWIDE CORPORATION IS PROHIBITED.