

# XHEZ.F-B-8013 - Through-penetration Firestop Systems

Design/System/Construction/Assembly Usage Disclaimer

- Authorities Having Jurisdiction should be consulted in all cases as to the particular requirements covering the installation and use of UL Certified products, equipment, system, devices, and materials.
- Authorities Having Jurisdiction should be consulted before construction.
- Fire resistance assemblies and products are developed by the design submitter and have been investigated by UL for compliance with applicable requirements. The published information cannot always address every construction nuance encountered in the field.
- When field issues arise, it is recommended the first contact for assistance be the technical service staff provided by the product manufacturer noted for the design. Users of fire resistance assemblies are advised to consult the general Guide Information for each product category and each group of assemblies. The Guide Information includes specifics concerning alternate materials and alternate methods of construction.
- Only products which bear UL's Mark are considered Certified.

## XHEZ - Through-penetration Firestop Systems

## XHEZ7 - Through-penetration Firestop Systems Certified for Canada

See General Information for Through-penetration Firestop Systems

See General Information for Through-penetration Firestop Systems Certified for Canada

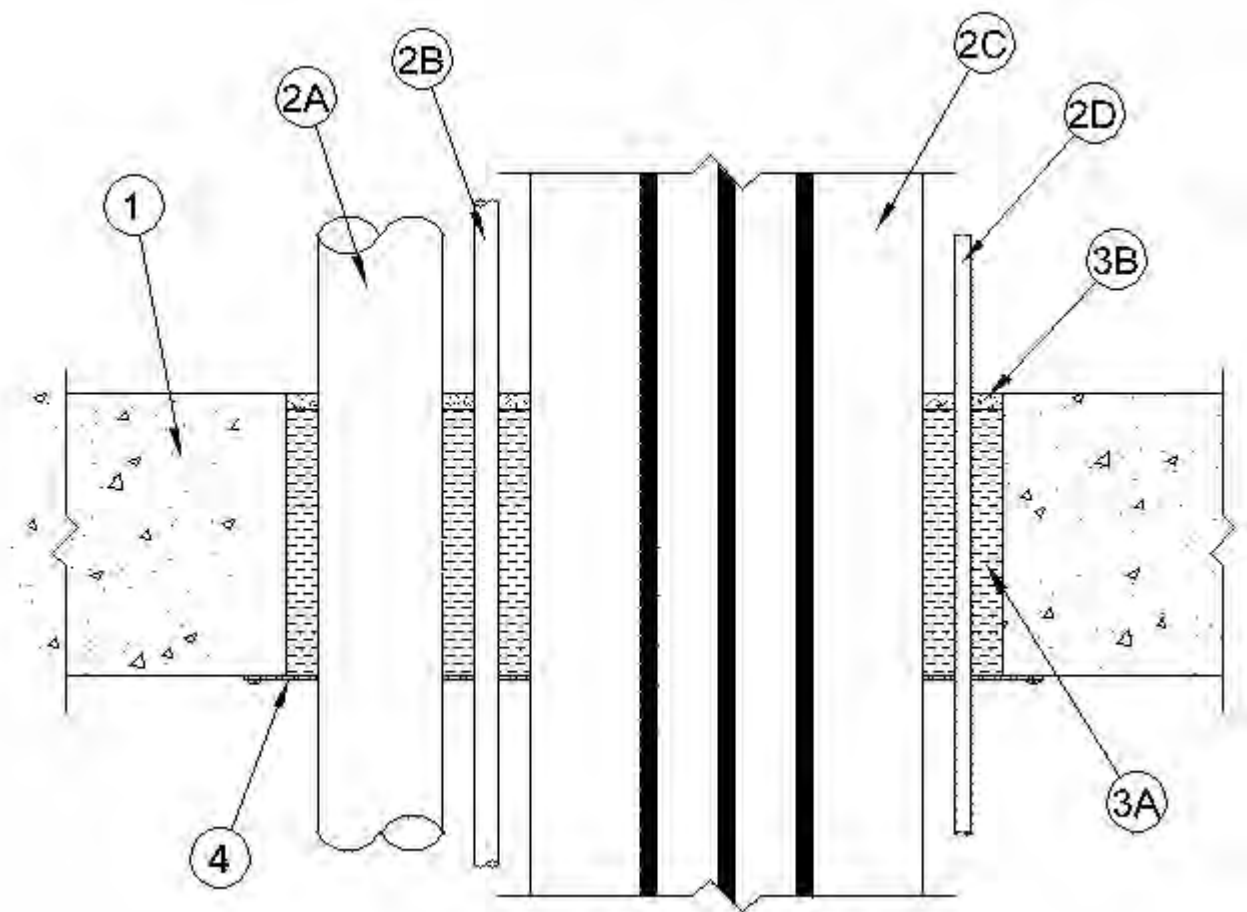
### System No. F-B-8013

January 10, 2020

**ANSI/UL1479 (ASTM E814)**

**CAN/ULC S115**

F Rating - 2 Hr	F Rating -2 Hr
	FH Rating -2 Hr
T Rating - 0 Hr	FT Rating - 0 Hr
	FTH Rating -0 Hr



1. **Floor Assembly** — Min 9 in. (229 mm) thick lightweight or normal weight reinforced structural concrete. Max area of opening shall not exceed 1638 sq. in. (1.06 m<sup>2</sup>), with a max dimension of 78 in (198 cm).

2. **Through Penetrants** — A max of sixteen items are permitted per opening, of those, a max of three busways and a max of one cable may be used. Pipes, conduits, busways or cables to be installed within the opening such that a min 1 in. (25 mm) annular space is maintained between all through penetrants. The space between penetrants and periphery of opening shall be nom 1 in. (25 mm). Penetrants to be rigidly supported on both sides of floor assembly. The following types and sizes of penetrants may be used:

A. **Steel Pipe** — Nom 4 in. (102 mm) diam (or smaller) Schedule 40 (or heavier) steel pipe.

B. **Conduit** — Nom 3/4 in. (19 mm) diam (or smaller) steel electrical metallic tubing or steel conduit.

C. **Busway+** — Nom 12-1/2 in. (318 mm) wide (or smaller) by 6 in. (152 mm) deep "I" shaped aluminum enclosure containing factory mounted aluminum bars rated for 600 V, 3000 A.

D. **Cable** — Max 1/C No. 350 MCM cable with XLPE insulation and jacket .

3. **Firestop System** — The firestop system shall consist of the following items.

A. **Packing Material** — Min 8-1/2 in. (216 mm) thickness of nom 8 pcf (128 kg/m<sup>3</sup>) (or heavier) mineral-wool batt insulation firmly packed into opening as a permanent form. Packing material to be recessed from top surface of floor as required to accommodate the required thickness of fill material (Item 3B).

B. **Fill, Void or Cavity Materials\* - Sealant** — Min 1/2 in. (13 mm) thickness of fill material applied to completely fill annular space, flush with top surface of floor.

**RELIANCE WORLDWIDE CORPORATION DBA HOLDRITE HYDROFLAME** — HydroFlame 300 SL

4. **Support Hangers** — Nom 1 in. (25 mm) wide strapping formed from No. 26 gauge galvanized steel crossing the bottom side of floor assembly in both directions, 12 in. (305 mm) O.C. Strapping secured to concrete floor with powder actuated 0.131 in. (3 mm) diameter, 2 in. (51 mm) long steel pins, 2 in. (51 mm) from perimeter of opening.

**\* Indicates such products shall bear the UL or cUL Certification Mark for jurisdictions employing the UL or cUL Certification (such as Canada), respectively.**

+ Bearing the UL Listing Mark

Last Updated on 2020-01-10

---

The appearance of a company's name or product in this database does not in itself assure that products so identified have been manufactured under UL's Follow-Up Service. Only those products bearing the UL Mark should be considered to be Certified and covered under UL's Follow-Up Service. Always look for the Mark on the product.

UL permits the reproduction of the material contained in the Online Certification Directory subject to the following conditions: 1. The Guide Information, Assemblies, Constructions, Designs, Systems, and/or Certifications (files) must be presented in their entirety and in a non-misleading manner, without any manipulation of the data (or drawings). 2. The statement "Reprinted from the Online Certifications Directory with permission from UL" must appear adjacent to the extracted material. In addition, the reprinted material must include a copyright notice in the following format: "© 2020 UL LLC"