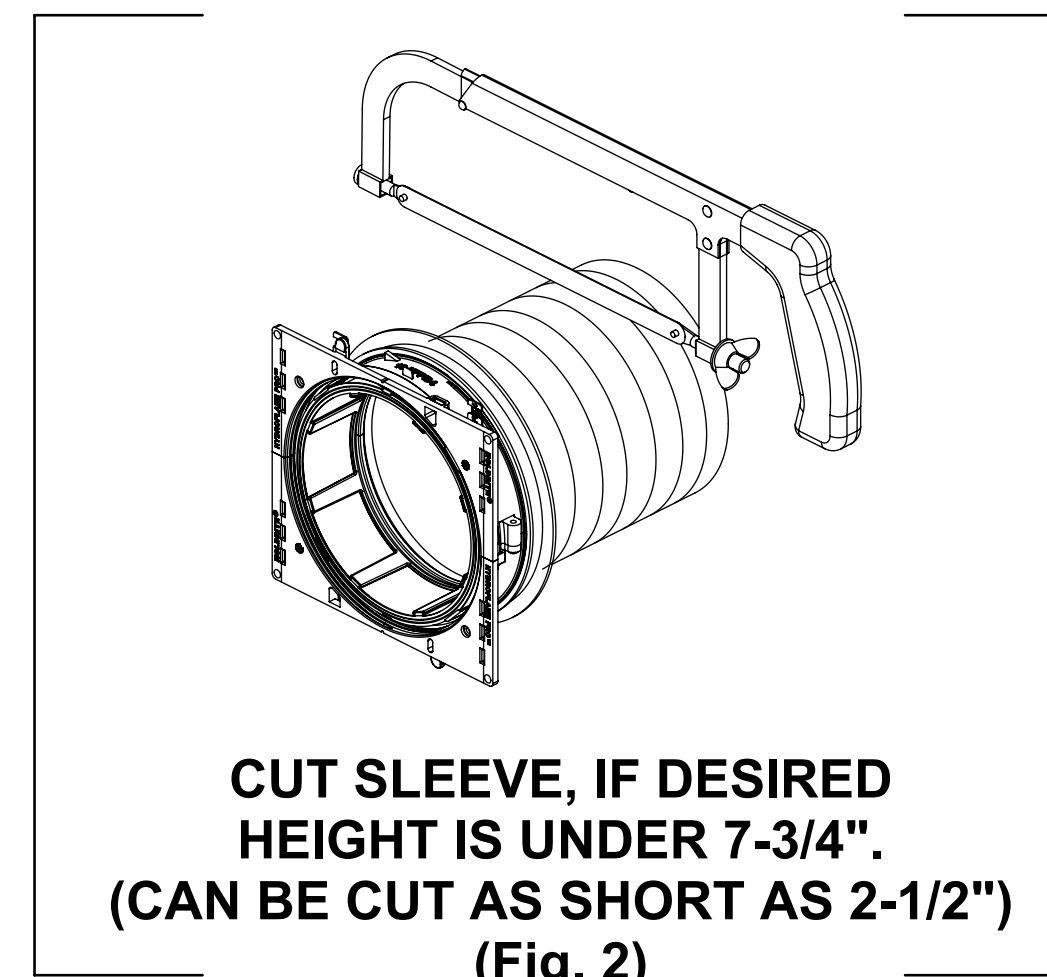
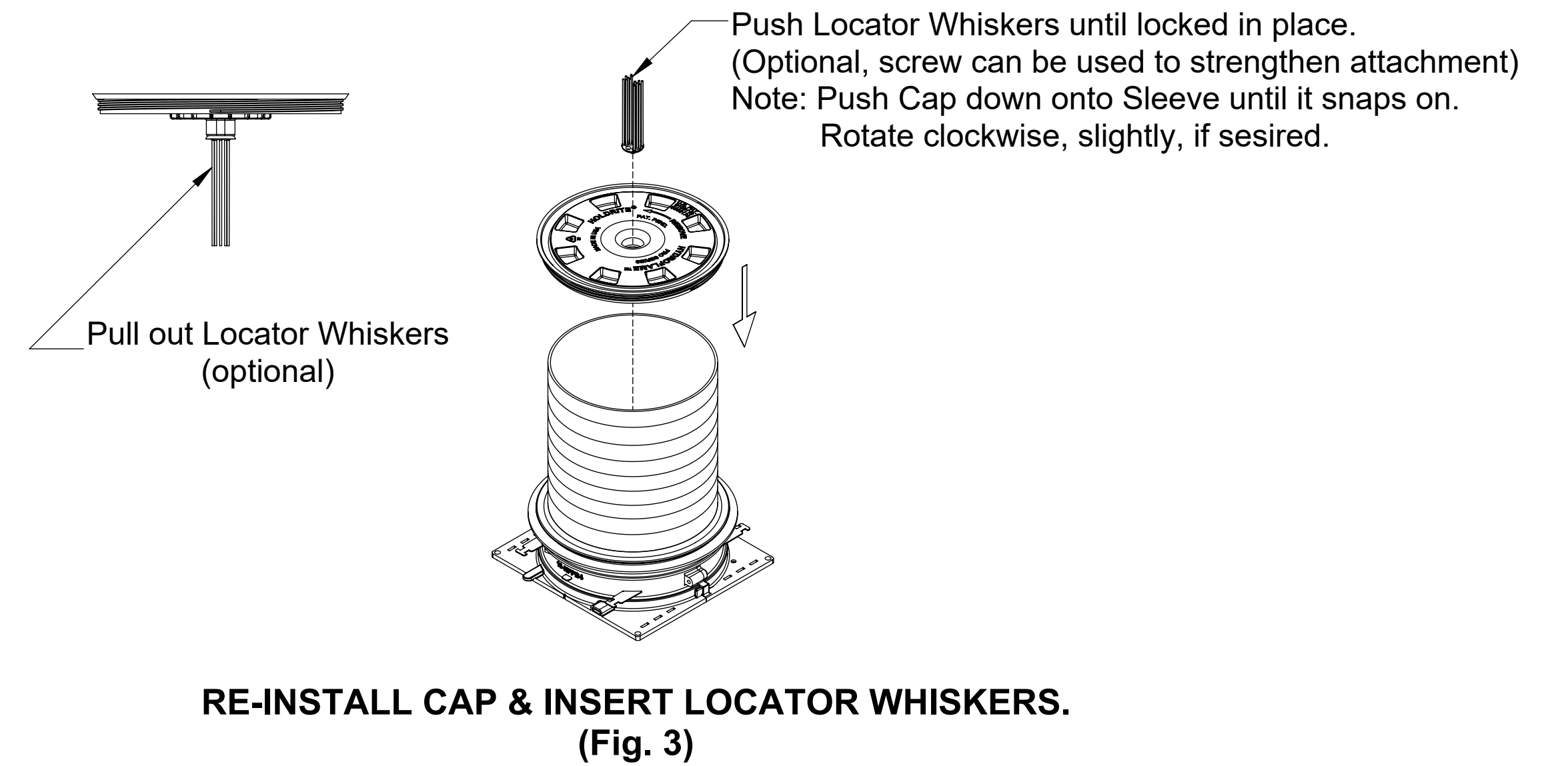


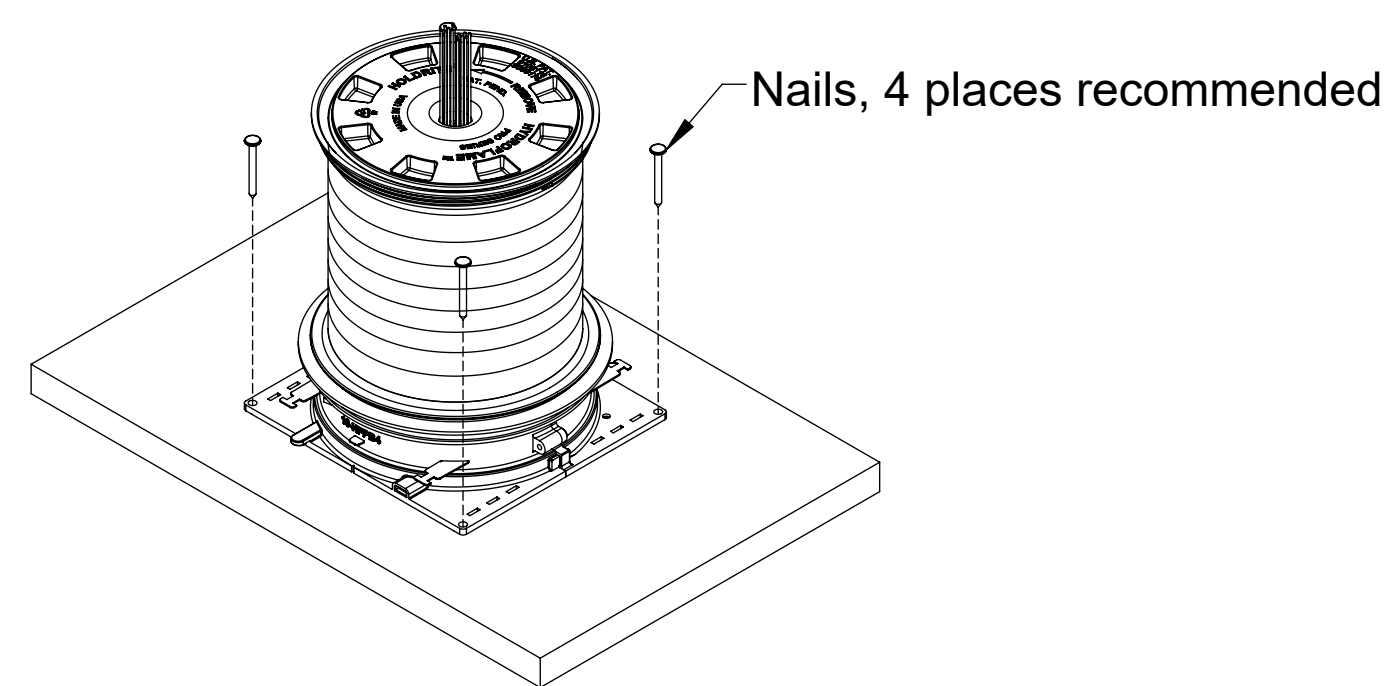
BASIC SLEEVE.
"-B" VERSION, 7 3/4" TALL.
 (Fig. 1)



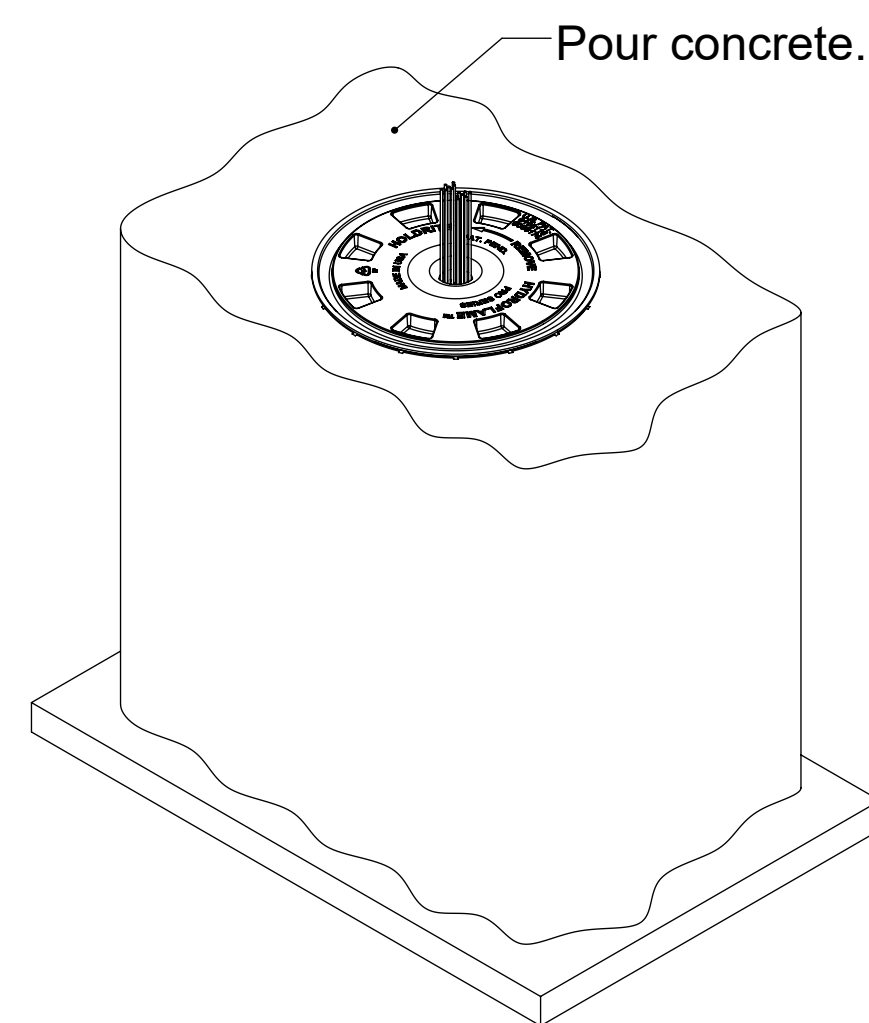
CUT SLEEVE, IF DESIRED
HEIGHT IS UNDER 7-3/4".
(CAN BE CUT AS SHORT AS 2-1/2")
 (Fig. 2)



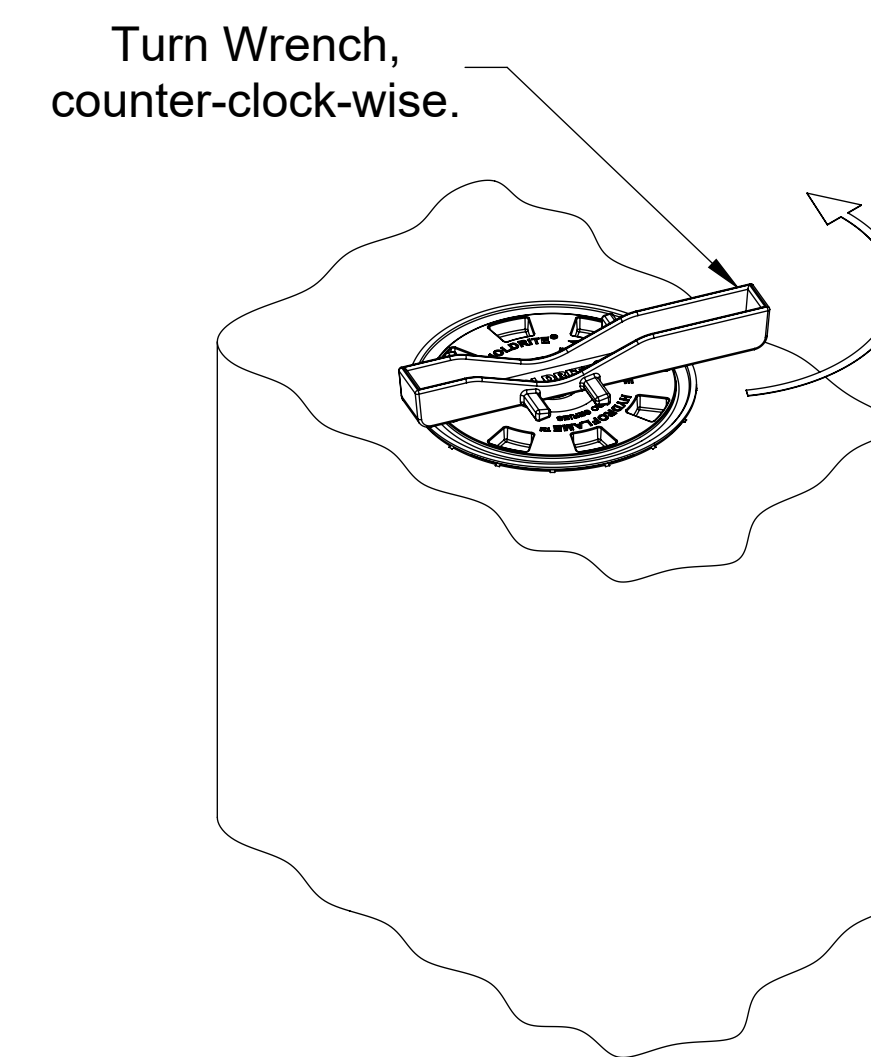
RE-INSTALL CAP & INSERT LOCATOR WHISKERS.
 (Fig. 3)



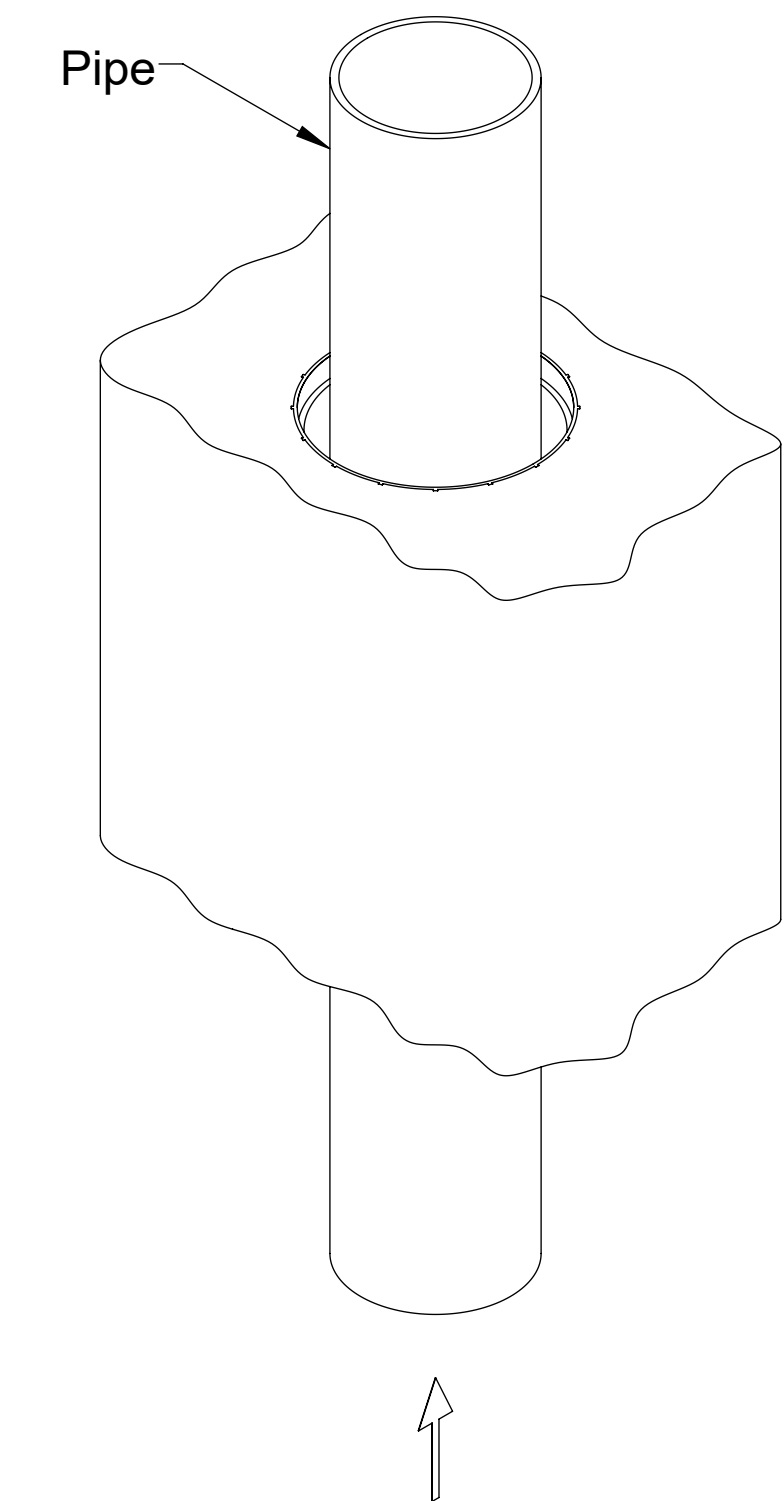
NAIL TO FORM DECK.
 (Fig. 4)



POUR CONCRETE.
 (Fig. 5)



REMOVE CAP WITH HF WRENCH,
OR BREAK-OUT WITH HAMMER.
 (Fig. 6)



INSTALL PIPE FROM BELOW.
(SOAPY WATER EASES PIPE INSERTION)
 (Fig. 7)