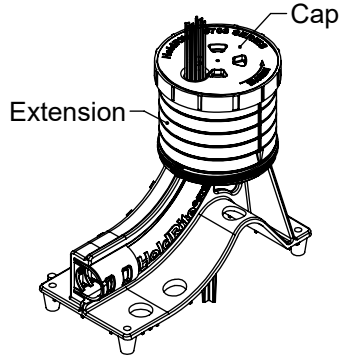
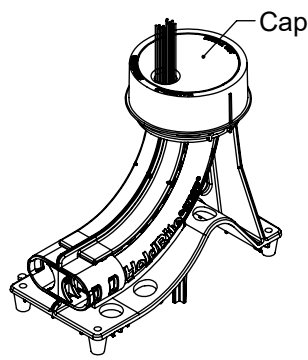


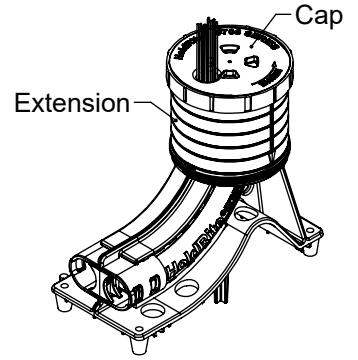
**#703-SC**



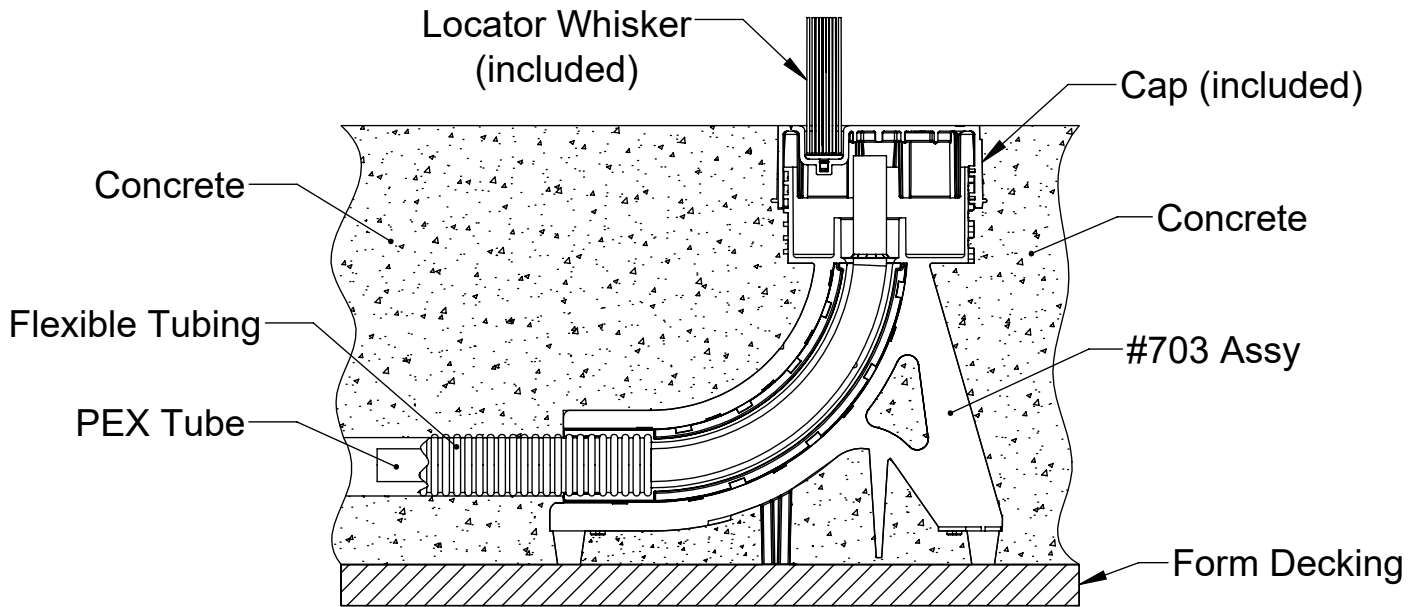
**#703-SEC**



**#703-DC**



**#703-DEC**



#703-SC SHOWN

**IN-SLAB TUBING SUPPORT**

The HOLDRITE® 703 Series provides a protective recessed cavity in the upper portion of the concrete floor, providing a space for the protection of either one or two 1/2" PEX tubes (with 3/4" protective corrugated tubing) or 3/4" electrical conduits. Includes removable cover plate with "locator whiskers".

THIS INFORMATION IS PROPRIETARY TO RWC AND IS SUBJECT TO CHANGE WITHOUT NOTICE. IT MAY NOT BE REPRODUCED IN PART OR WHOLE WITHOUT WRITTEN AUTHORIZATION.

