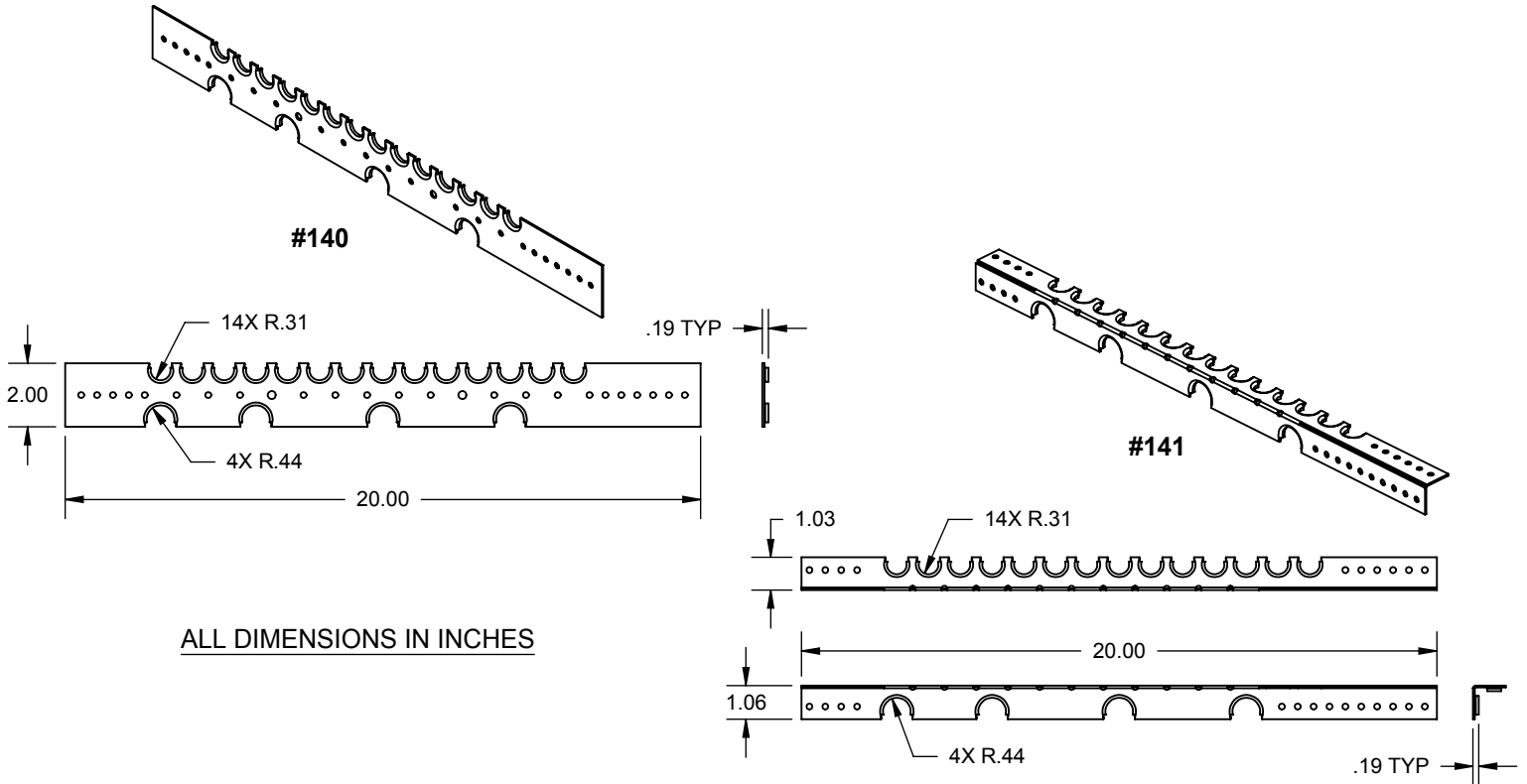


PRODUCT SPECIFICATION DRAWING HOLDRITE® #140 & #141 BRACKET



The HOLDRITE® #140 and #141 are Copper-Bonded™ steel brackets with 5/8" extruded notches on 1" centers and 7/8" extruded notches on 4" centers. #141 bracket is bent at 90° degrees in the middle for added strength. Solder copper tubing to the bracket.

Product Information:

- Material: 16 gage CRS, Copper-Bonded™
- Load rating: 25 pounds
- UPC / IPC / IAPMO listed



THIS INFORMATION IS PROPRIETARY TO HOLDRITE AND IS SUBJECT TO CHANGE WITHOUT NOTICE. IT MAY NOT BE REPRODUCED IN PART OR WHOLE WITHOUT WRITTEN AUTHORIZATION.



CONVERTING MAKESHIFT METHODS INTO ENGINEERED SOLUTIONSSM
800-321-0316 OR 760-744-6944 / FAX: 760-744-0507 / WWW.HOLDRITE.COM
spec_140_141_RevE

Product Submittal	
Job Name:	
Date:	
Part Number:	Qty:
Architect / Owner:	
Contractor:	
Notes:	