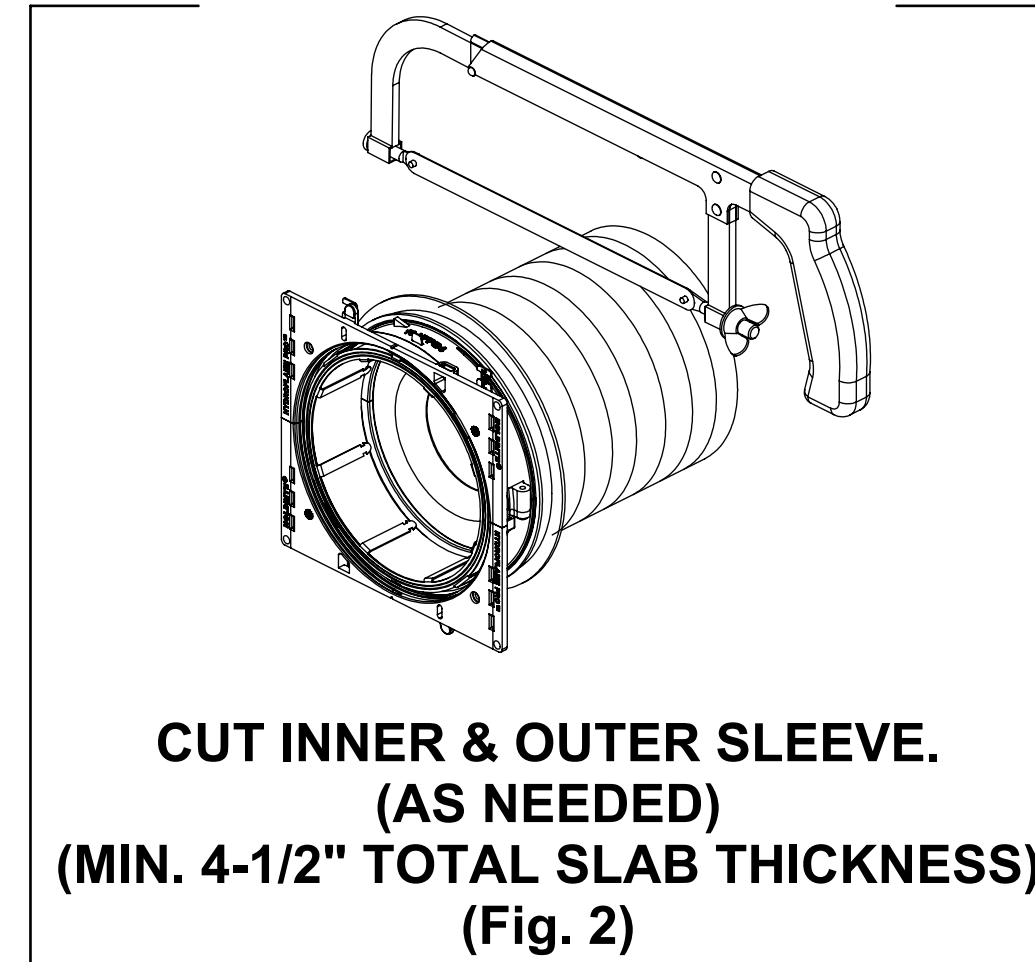
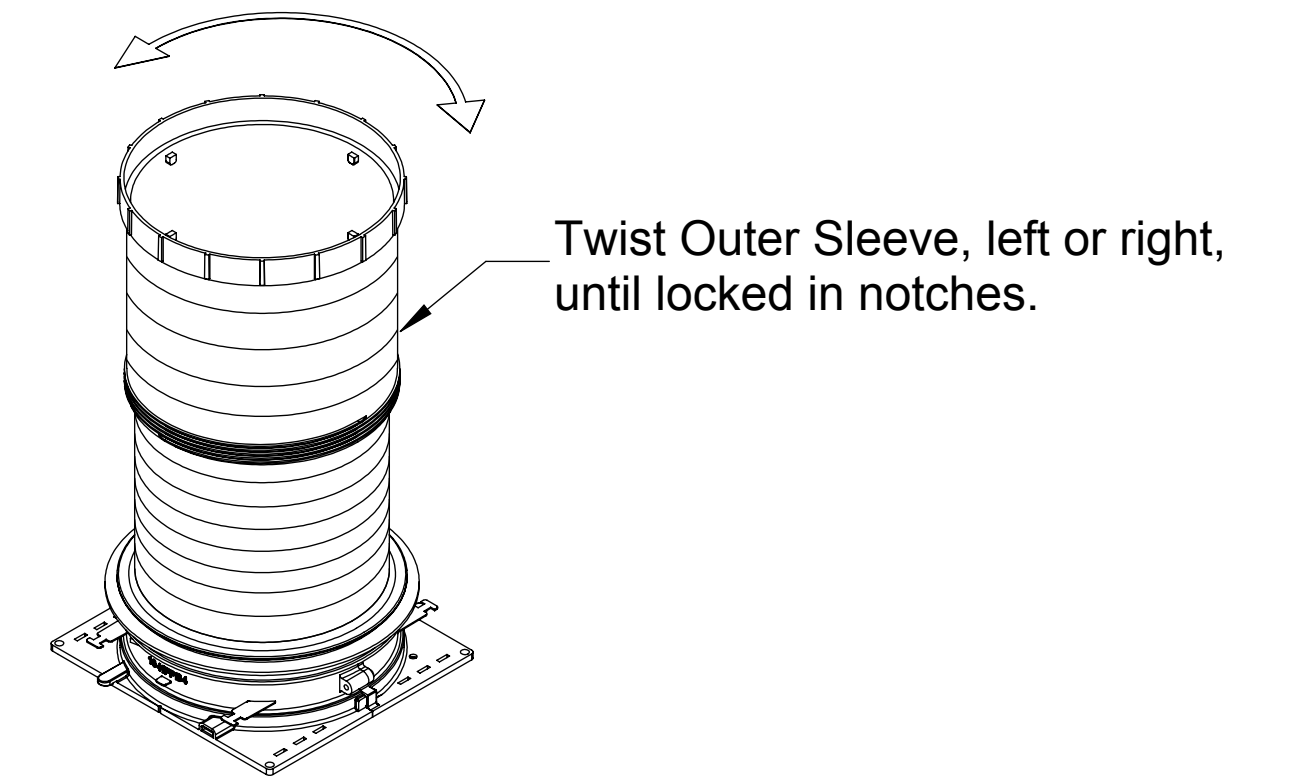


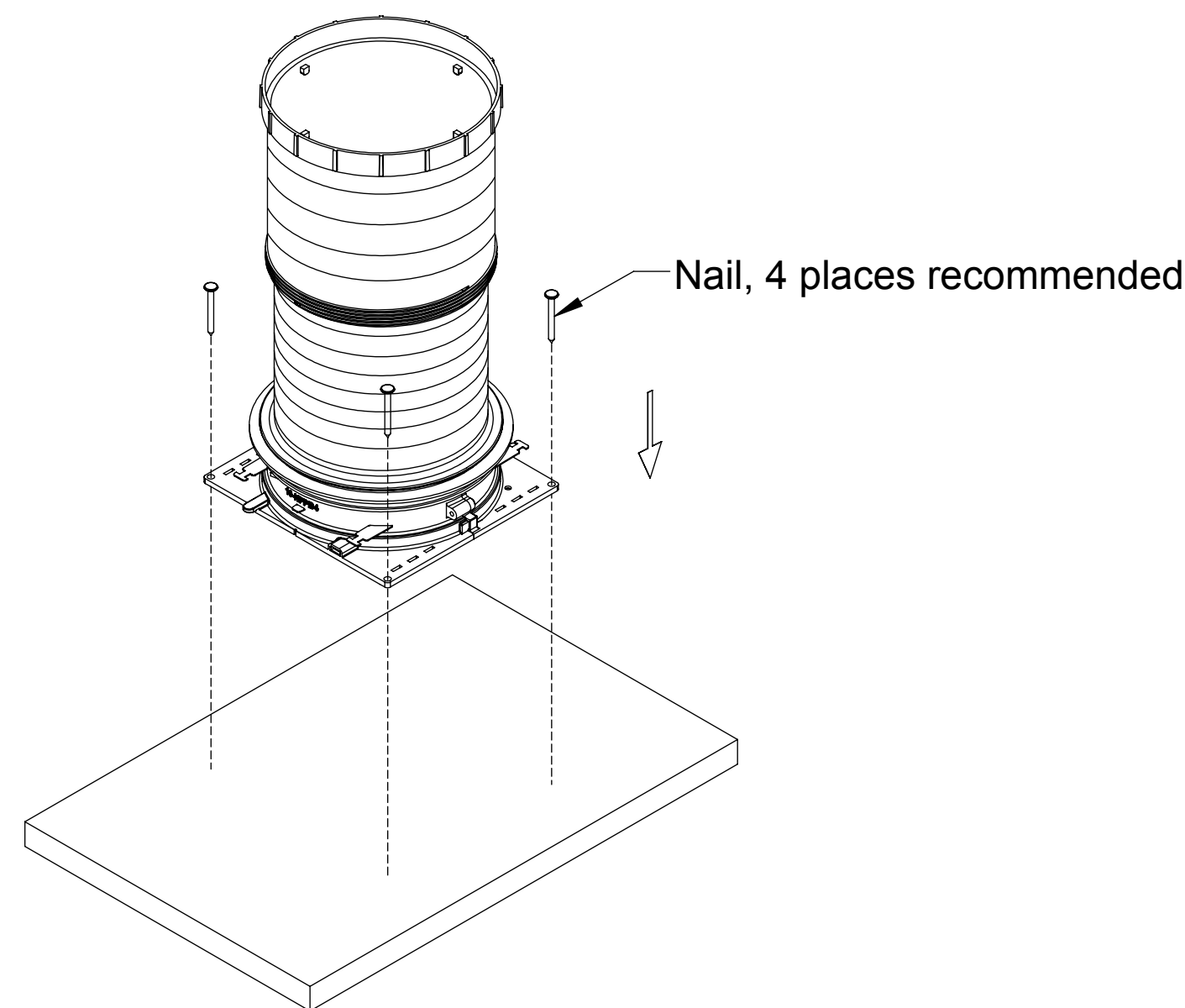
**ADJUST TO DESIRED HEIGHT.**  
(Fig. 1)



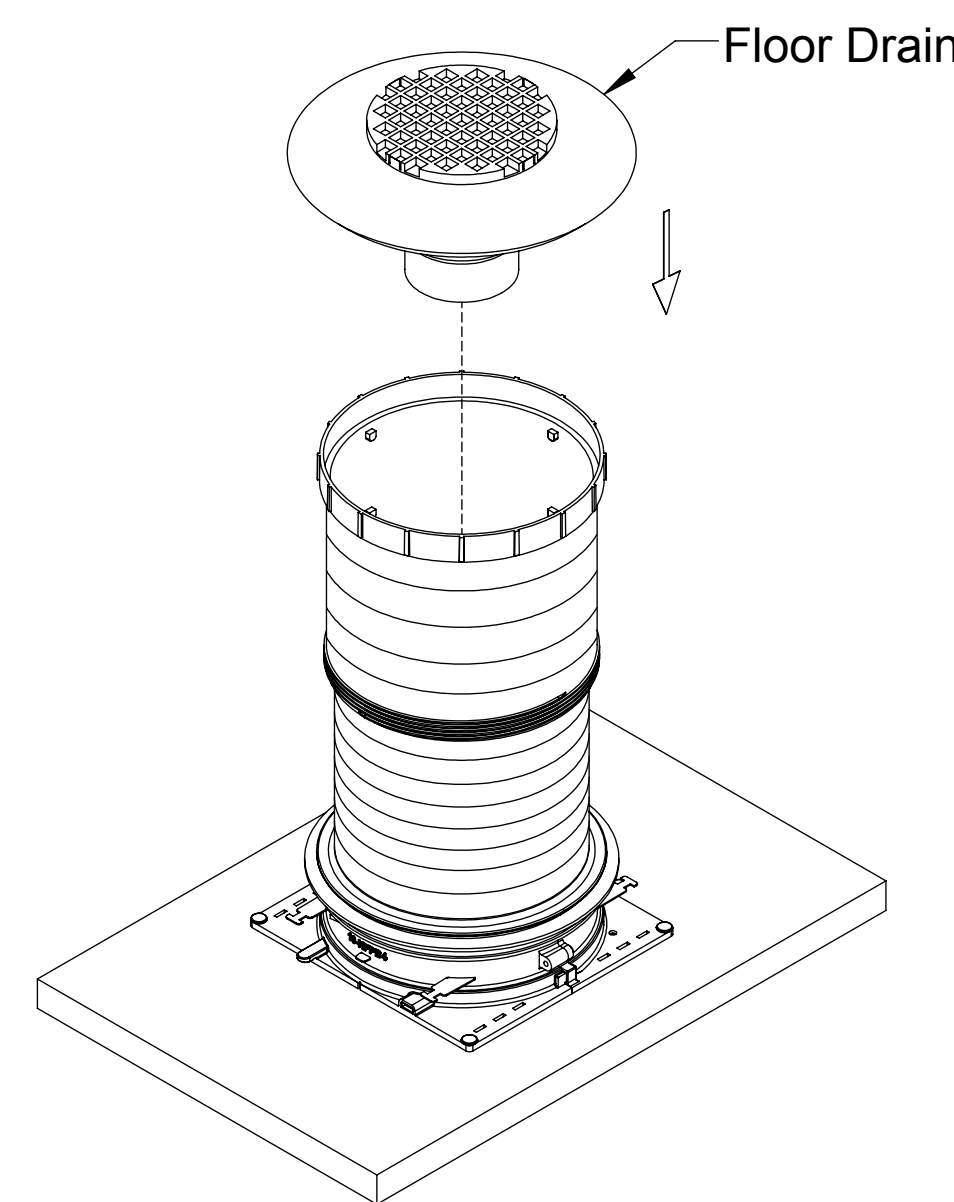
**CUT INNER & OUTER SLEEVE.**  
(AS NEEDED)  
(MIN. 4-1/2" TOTAL SLAB THICKNESS)  
(Fig. 2)



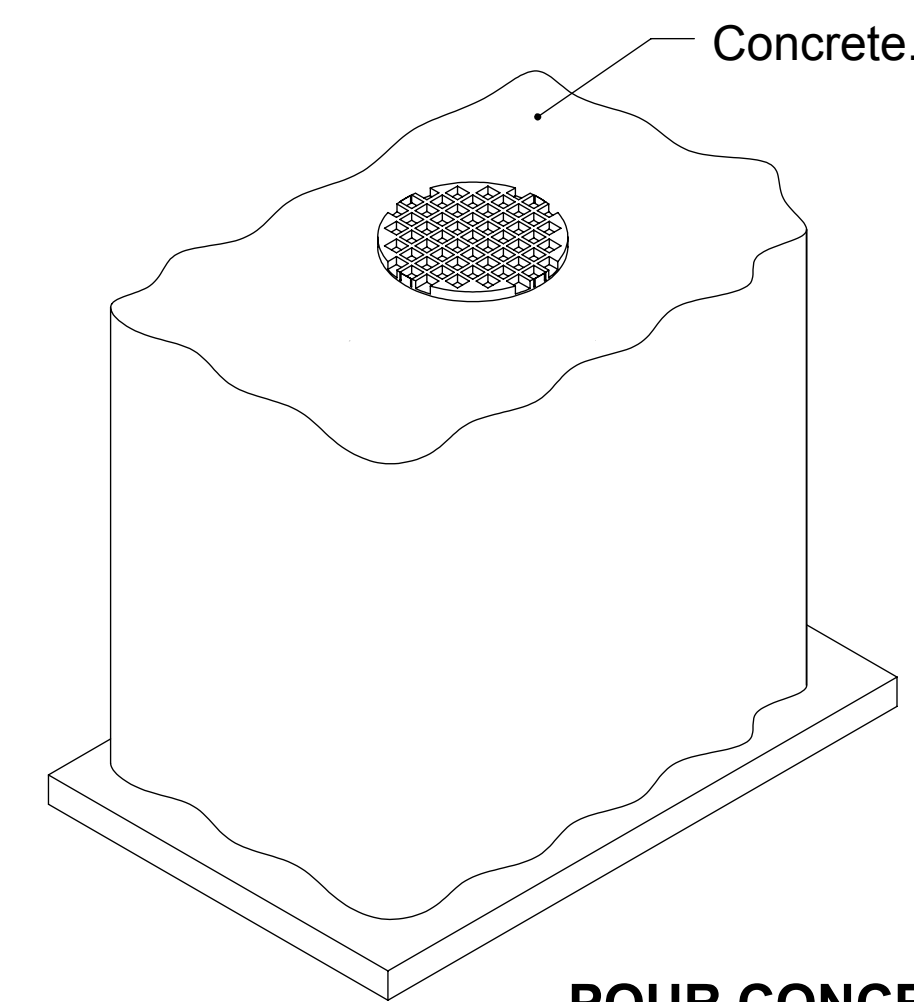
**LOCK OUTER SLEEVE IN PLACE.**  
(NON-TELESCOPING "B" VERSION SLEEVE CAN ALSO BE USED)  
(Fig. 3)



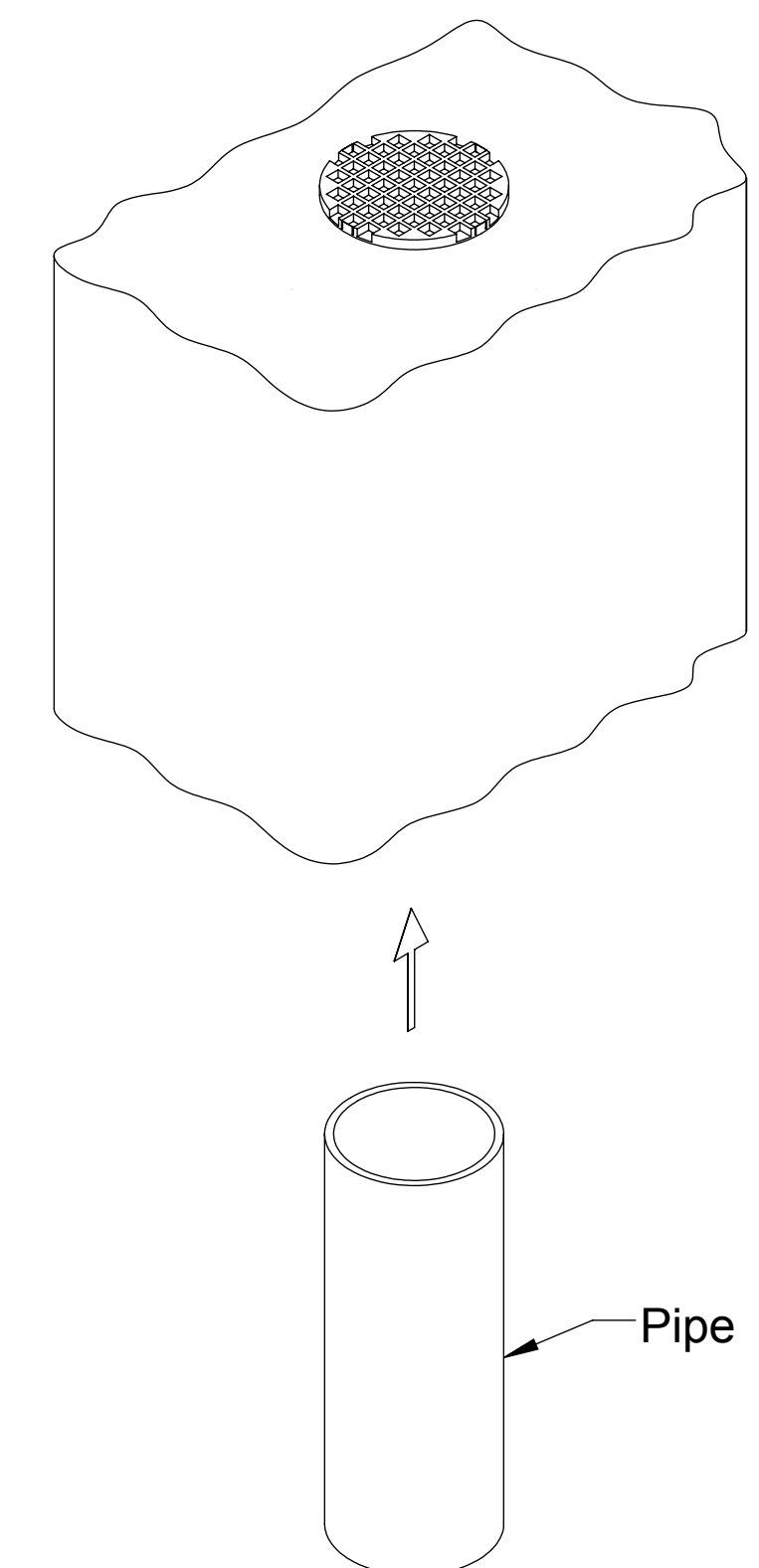
**NAIL TO FORM DECK.**  
(Fig. 5)



**INSTALL FLOOR DRAIN INTO SLEEVE (Neo-Lock Style Outlet).**  
(SECURE DRAIN TO FORM DECK AS DESIRED)  
(Fig. 6)



**POUR CONCRETE.**  
(Fig. 7)



**INSTALL PIPE FROM BELOW.**  
(SOAPY WATER EASES PIPE INSERTION)  
(Fig. 8)