



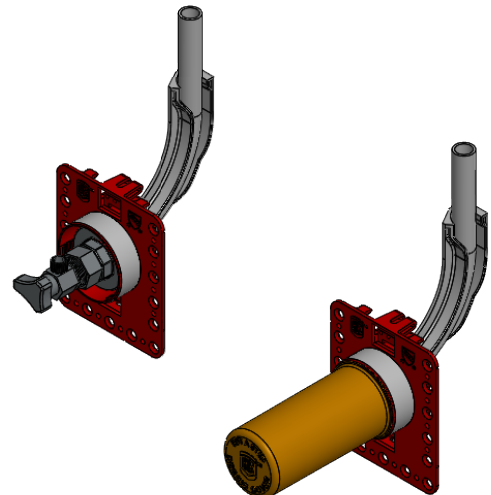
Product Submittal	
Name	
Date	
Architect/Owner	
Contractor	
Tag	
Notes	

HoldRite™ HR-FR Series Fire-Rated Fixture Outlet Box Product Specification

HoldRite Fire-Rated Fixture Outlet Boxes are designed for use in commercial and residential applications and allow for installation of water supply valves during the rough-in phase. Can be installed directly to a stud via flange holes or between studs using a HYCO bar, HoldRite 170, or other HoldRite galvanized bracketing. Outlet Box Assemblies include a supply valve with a quarter-turn handle and a 1/4" or 3/8" threaded compression connection. Can be used with Copper, PEX, or CPVC. Protective debris cover included. Escutcheons, Valve Extension, and other accessories sold separately.

Materials

- Box: FR-ABS
- Valve Body: DZR LF Brass
- Valve Ball: DZR LF Brass
- Handle: Zinc
- Escutcheon: ABS, White (paintable) or Chrome-plated
- Debris Cover: Polypropylene



Valve Performance

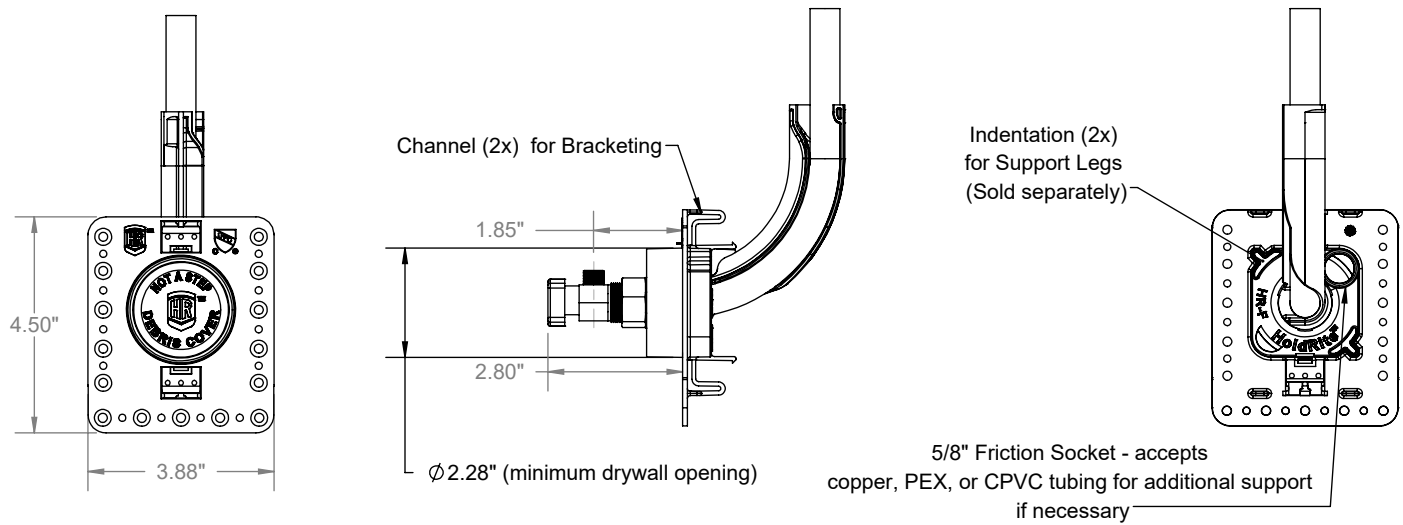
- Maximum working temperature: 160 °F
- Maximum working pressure: 125 PSI

Codes and Listings

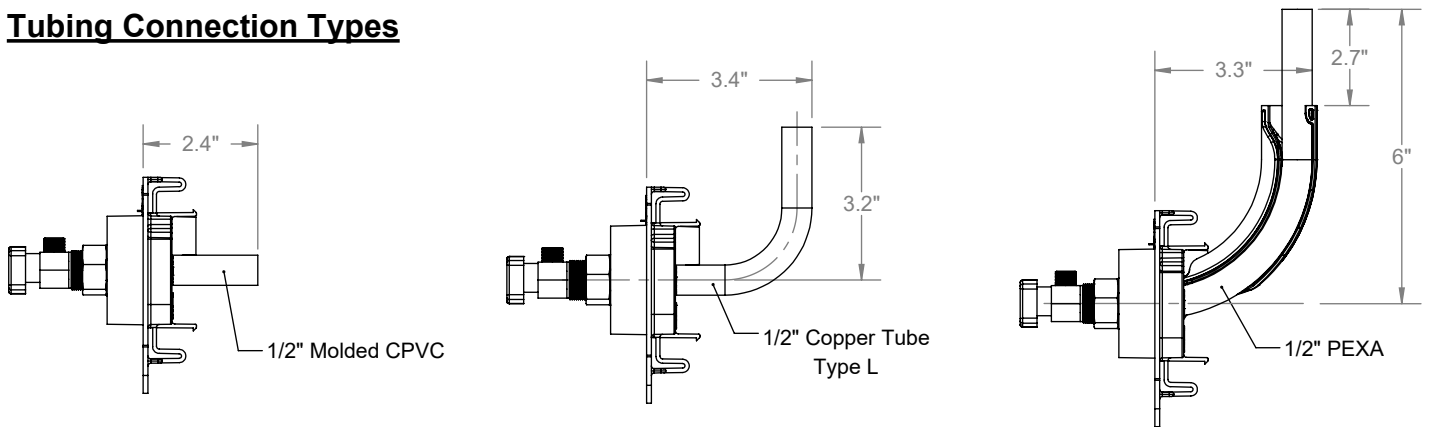
- Box: IAPMO PS54
- Valves: ASME A112.18.1/CSA125.1, NSF/ANSI 14, NSF/ANSI/CAN 61, NSF/ANSI/CAN 372
[Q] This product meets the reduced Q test statistic criteria of 0.5 µg for lead per Section 9.5.1.1 of NSF/ANSI/CAN 61.
- PEX-A Tubing: ASTM F876, ASTM F877, CSA B137.5
- Copper Type L Tubing: ASTM B88
- CPVC Tubing: ASTM D2486
- Assemblies: Certified by Intertek to meet ASTM E814, CAN/ULC-S115. Control No. 5024724

Inlet Fitting	ASTM E814 Ratings		CAN/ULC-S115 Ratings	
	RWC/PF 60-01	RWC/PF 120-01	RWC/PF 60-01	RWC/PF 120-01
PEX or CPVC	F-Rating: 60 Min.	F-Rating: 120 Min.	F/FH-Rating: 60 Min.	F/FH-Rating: 120 Min.
	T-Rating: 60 Min.	T-Rating: 120 Min.	FT/FTH-Rating: 60 Min.	FT/FTH-Rating: 120 Min.
Copper	F-Rating: 60 Min.	F-Rating: 120 Min.	F/FH-Rating: 60 Min.	F/FH-Rating: 120 Min.
	T-Rating: 51 Min.	T-Rating: 102 Min.	FT/FTH-Rating: 51 Min.	FT/FTH-Rating: 102 Min.

Dimensions

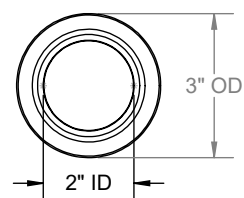


Tubing Connection Types

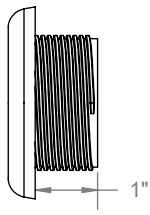


Escutcheon

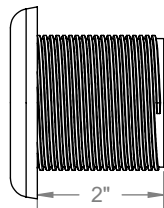
Sold Separately. Available in White (paintable) or Chrome-Plated.



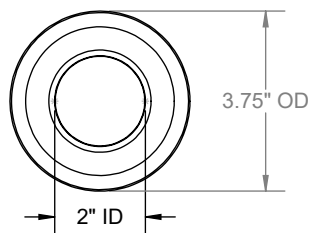
Standard Diameter



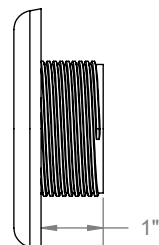
Standard Length



Extended Length
(1-1/2" to 2-1/4" walls)



Large Diameter



Large OD Escutcheon
available only in Standard Length

Drywall Config.	Standard Length	Extended Length
1/2"	✓	-
5/8"	✓	-
1/2" & 5/8"	✓	-
2x 1/2"	✓	-
2x 5/8"	✓	-
Cabinet Walls	-	✓