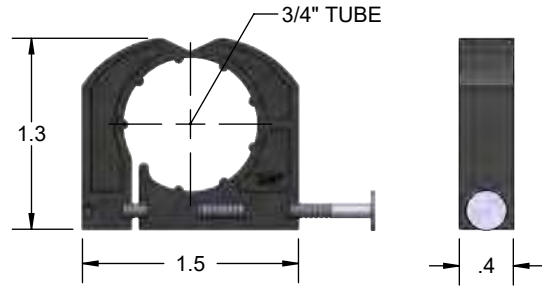
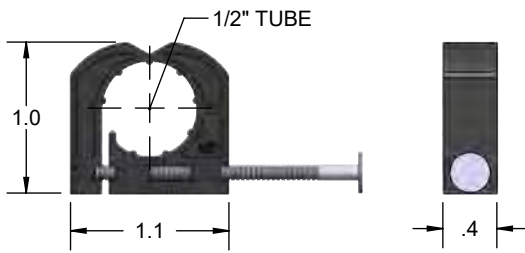
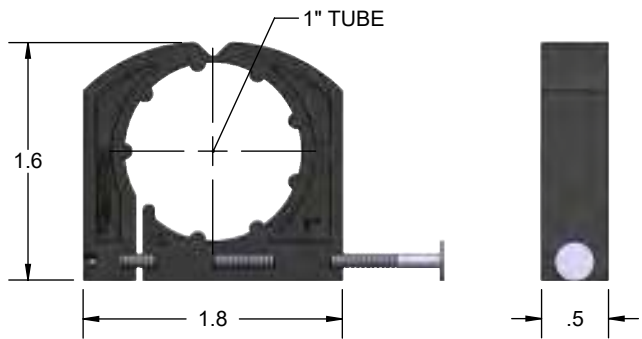


PRODUCT SPECIFICATION DRAWING

HOLDRITE® Full S-Nail Clamps



Model #	Tube Size
181	1/2"
182	3/4"
183	1"



HOLDRITE #181, #182 & #183 Full S-Nail Clamps are ideal for "Surface Mounted" positioning of 1/2", 3/4" & 1" CTS tubing (Copper, CPVC or PEX). The nail is pre-loaded into the clamp for quick installation. Provides protection against tubing damage caused by abrasion or contact between dissimilar metals.

Product Information:

- Material:
Clamp: HDPE
Nail: Galvanized Steel
- Temperature range: -10° to +180°F
- Load rating: 25 lbs
- UPC / IPC / IAPMO listed

THIS INFORMATION IS PROPRIETARY TO RWC AND IS SUBJECT TO CHANGE WITHOUT NOTICE. IT MAY NOT BE REPRODUCED IN PART OR WHOLE WITHOUT WRITTEN AUTHORIZATION.



800-321-0316 OR 760-744-6944 / FAX: 760-744-0507 / WWW.RWC.COM
spec_Full S-Nail Clamps, RevA, 02-19-20

Product Submittal	
Job Name:	
Date:	
Part Number:	Qty:
Architect / Owner:	
Contractor:	
Notes:	