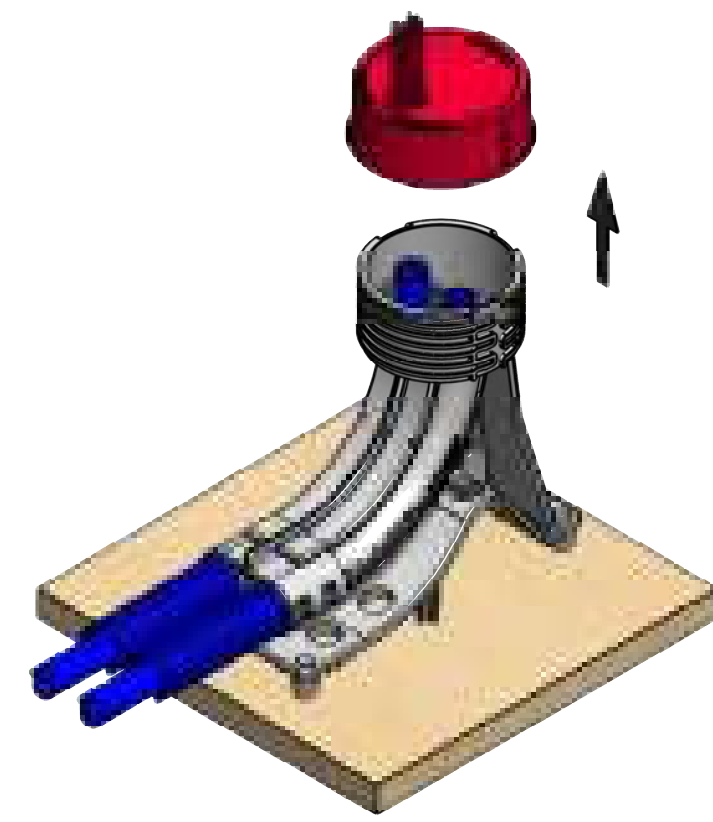
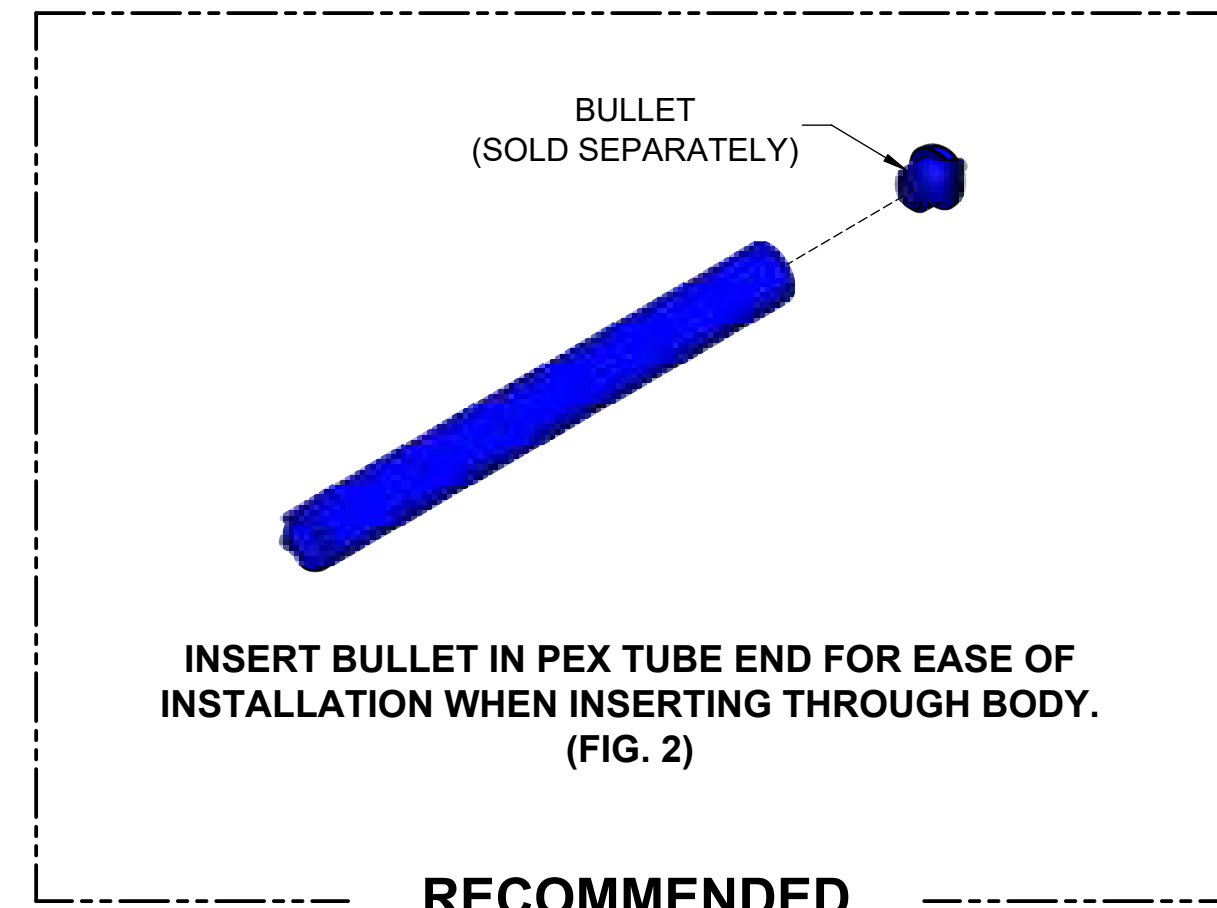


WITH CAP ADJUSTED TO SLAB HEIGHT, SECURE 703 ASSY TO FORM DECKING WITH 4 NAILS OR SCREWS. (FIG. 1)

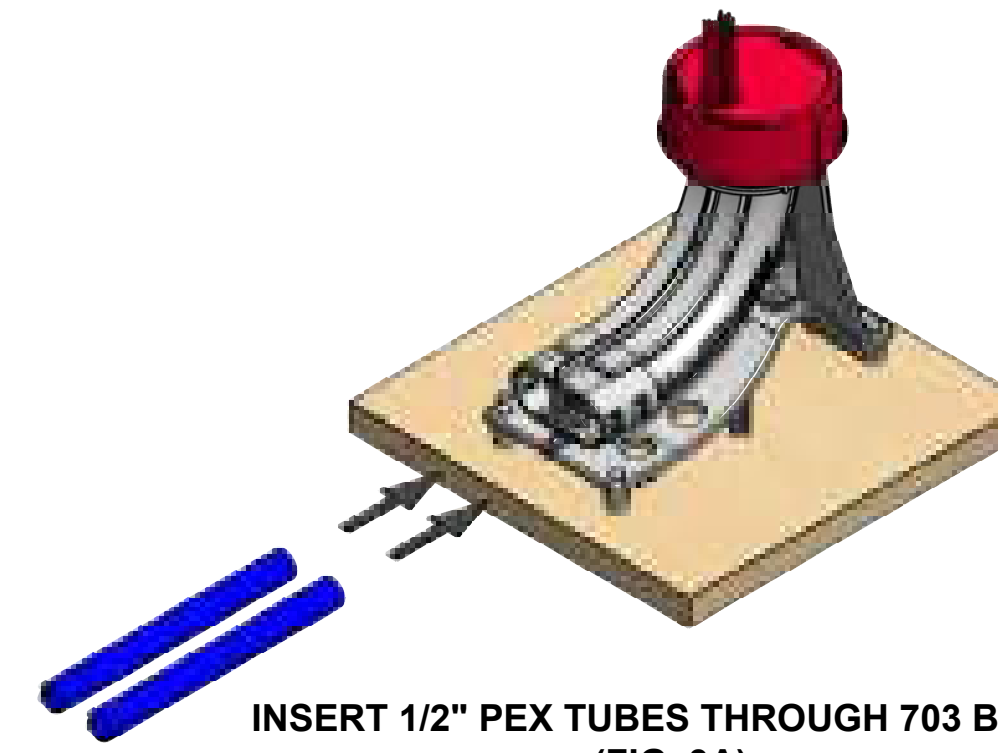
Note: Whisker bundle should face curved side of #703 bracket, as shown above.



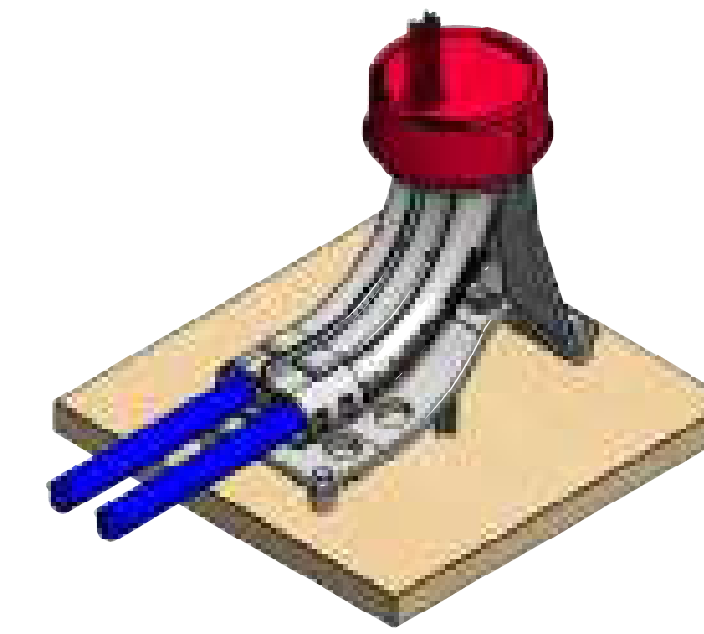
REMOVE ADJUSTABLE CAP AND LOCATOR WHISKERS. (FIG. 5)



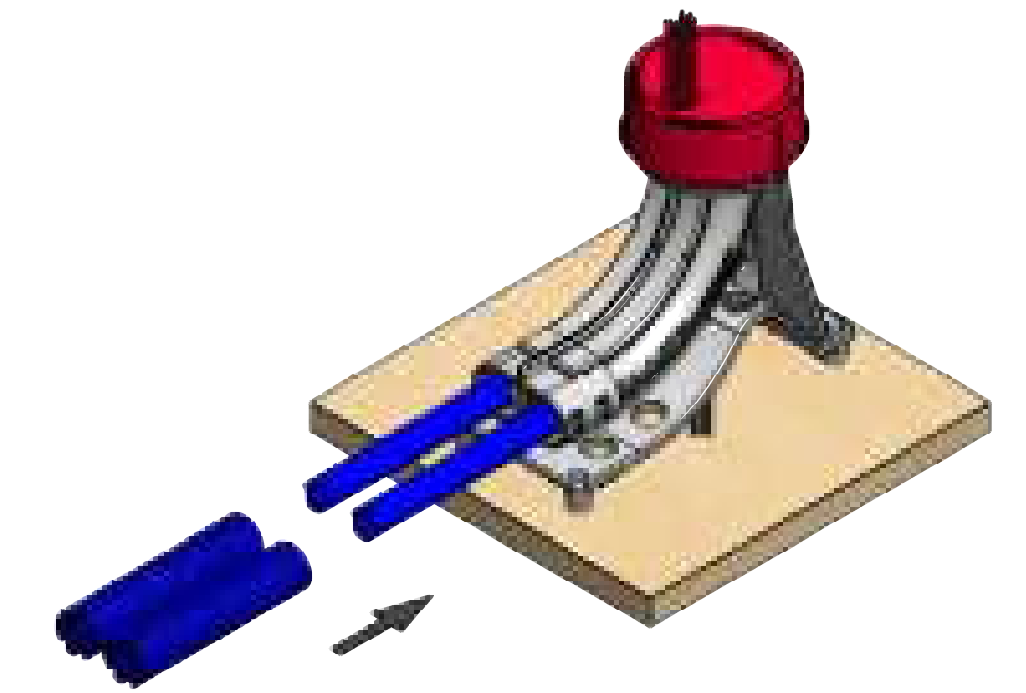
RECOMMENDED



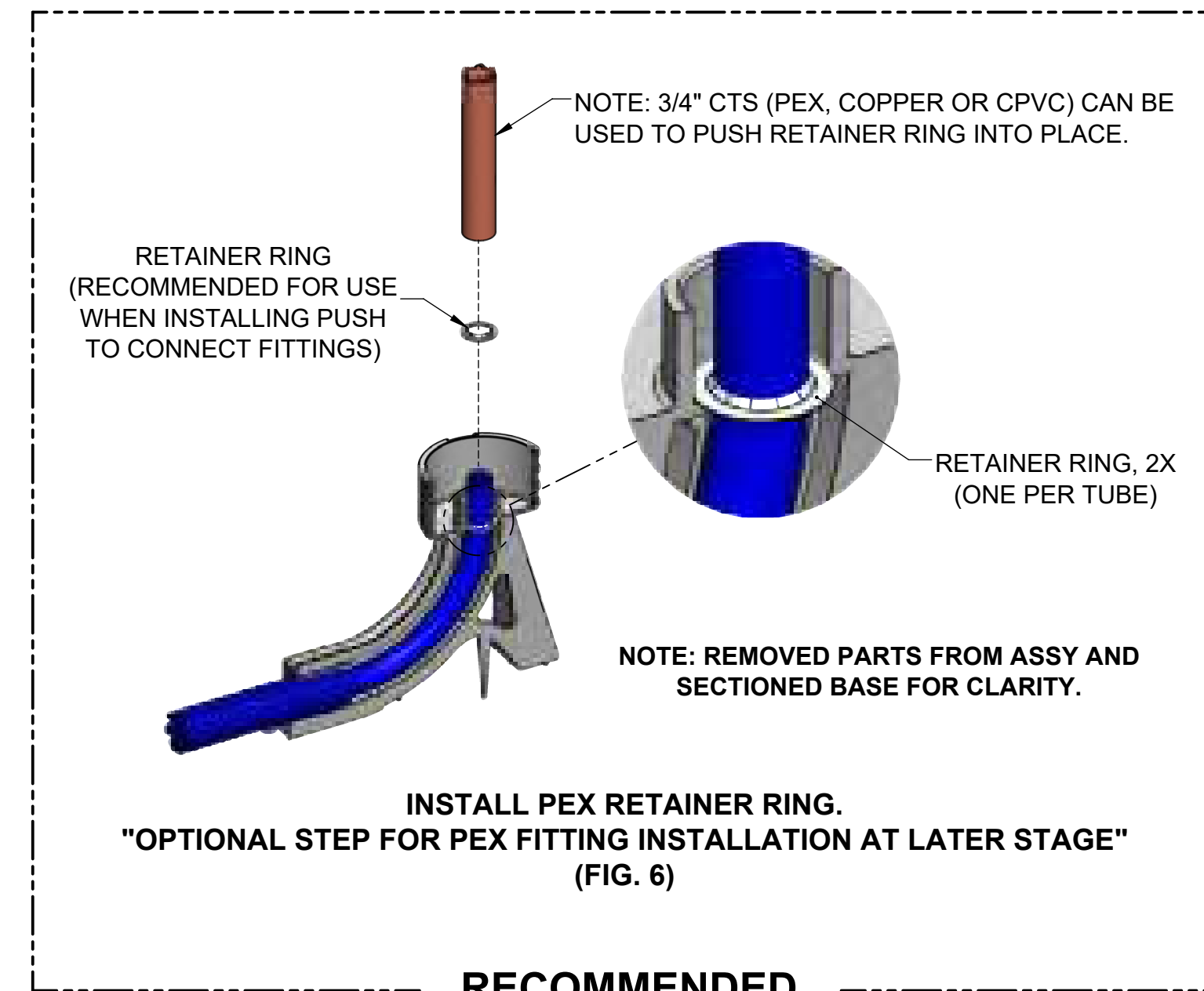
INSERT 1/2" PEX TUBES THROUGH 703 BODY. (FIG. 3A)  
Note: For 8" slab height PEX tubing should extend 8-5/8" beyond corrugated sleeving, prior to PEX insertion into bracket.



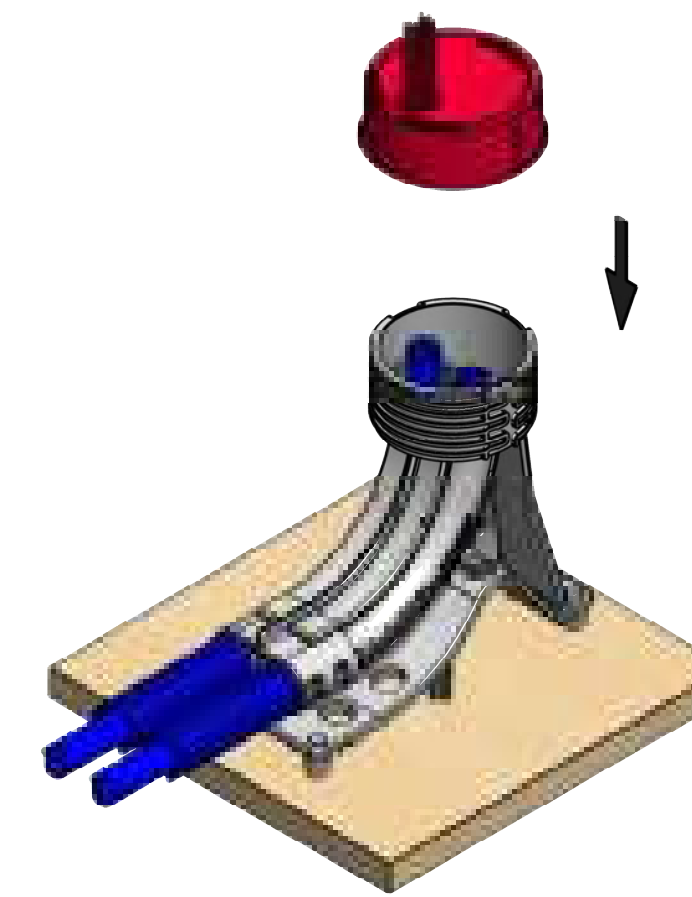
PUSH TUBES THROUGH UNTIL IT HITS BOTTOM SIDE OF CAP. (FIG. 3B)



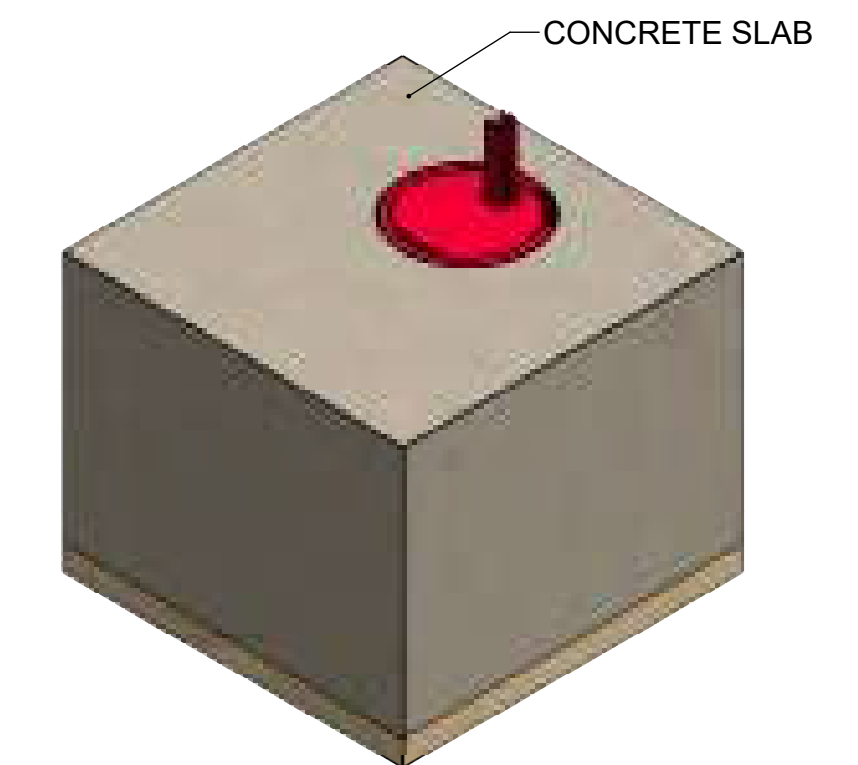
SLIDE PLASTIC CORRUGATED SLEEVING OVER PEX TUBES UNTIL LOCKED IN PLACE. (FIG. 4)



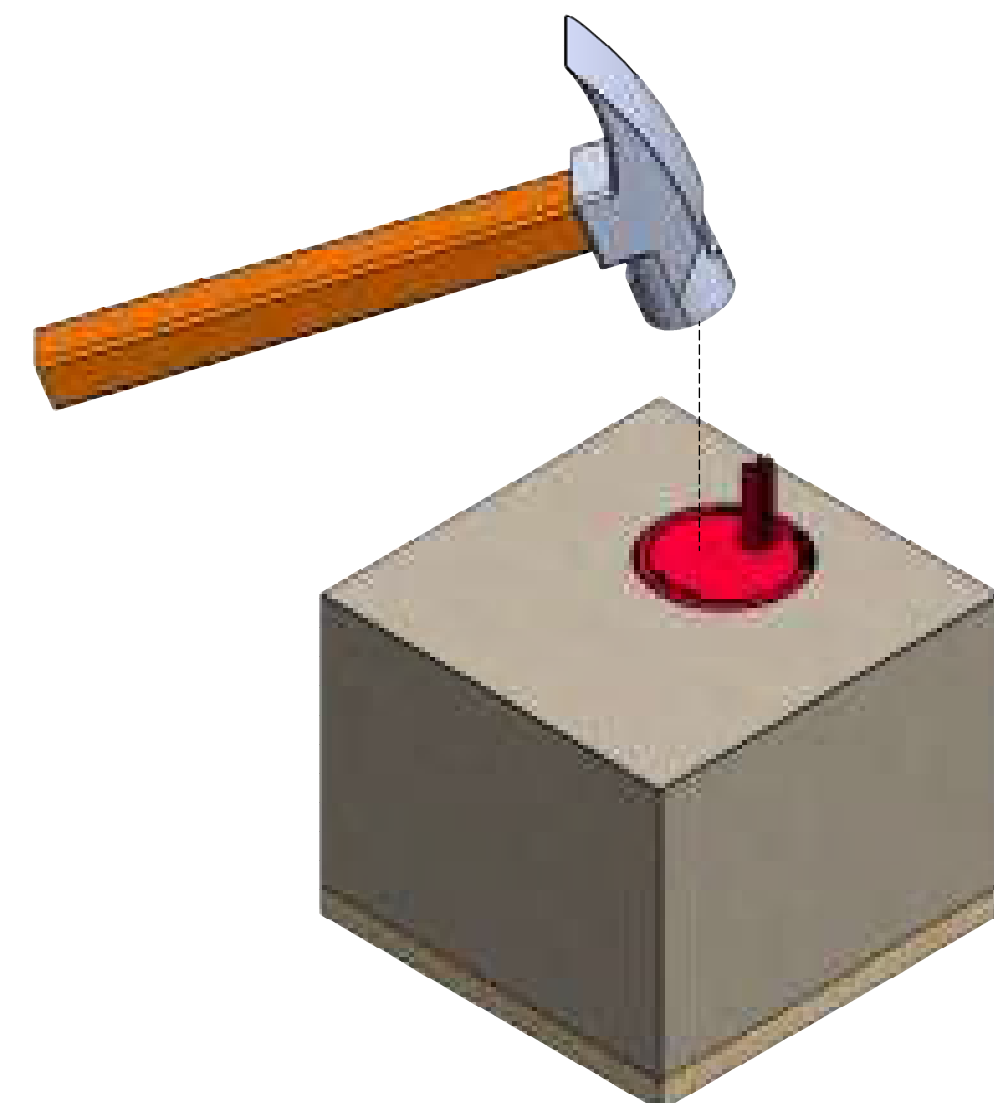
RECOMMENDED



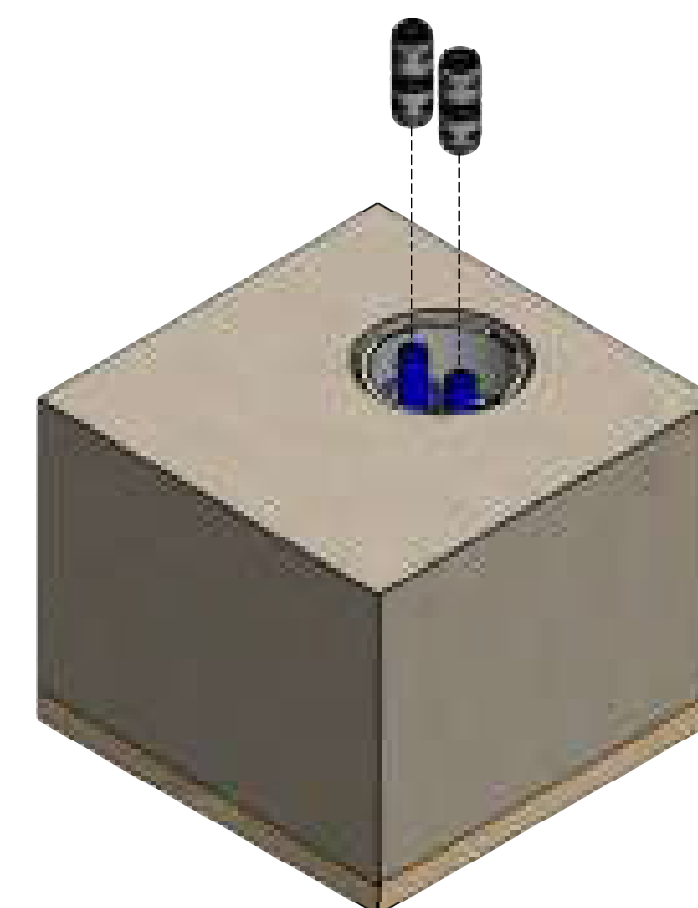
REATTACH ADJUSTABLE CAP AND LOCATOR WHISKERS AND SET TO REQUIRED SLAB HEIGHT. (FIG. 7)



POUR CONCRETE. (FIG. 8)



WHEN IT IS TIME TO CONNECT TO PEX TUBING, REMOVE ADJUSTABLE CAP AND LOCATOR WHISKERS USING HAMMER. (FIG. 9)



INSTALL 1/2" PEX FITTINGS. [PUSH-TO-CONNECT OR F1960 COLD EXPANSION FITTINGS] (FIG. 10)

#703-DC Shown



#703-SC / -DC In-Slab PEX Protector Assy, Installation Instructions, RevB, 09-14-20 (For 7-1/2" thru 8" Slab Heights)