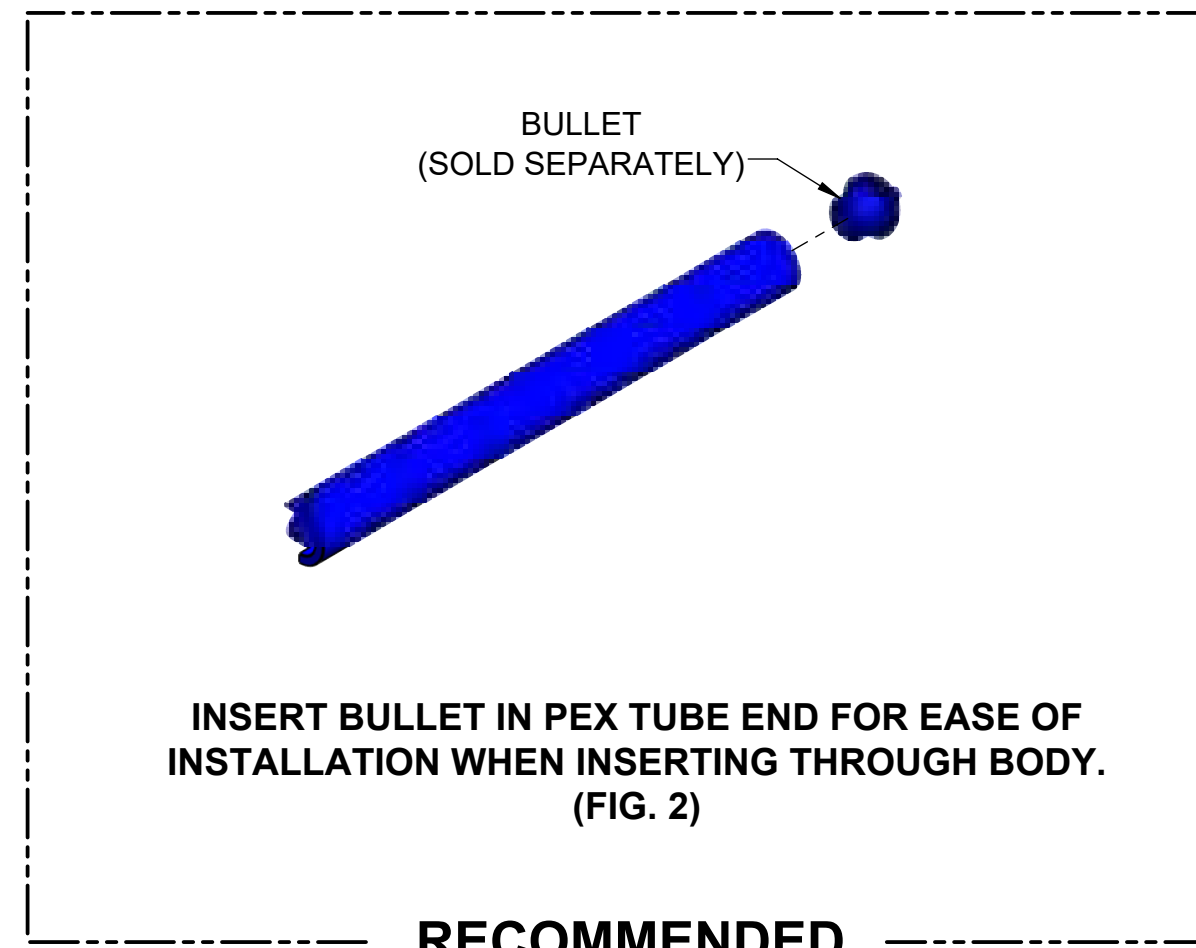
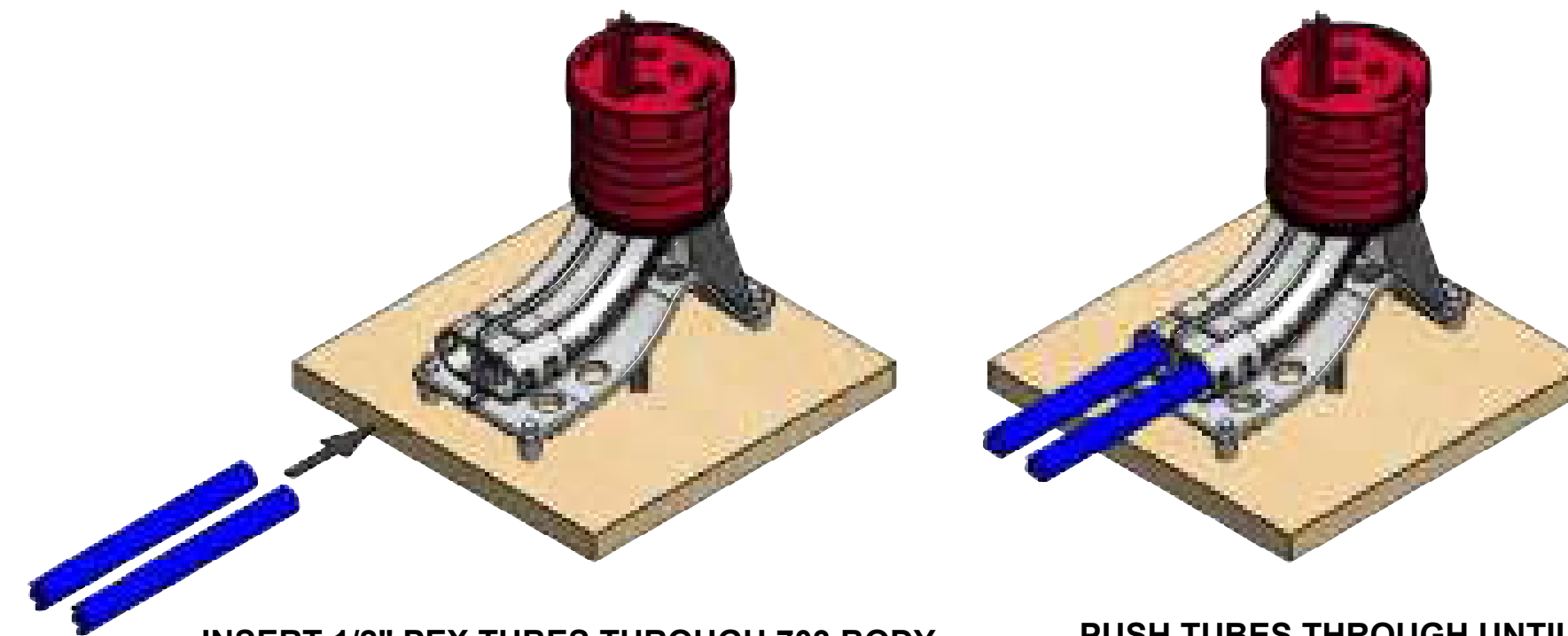


WITH CAP ADJUSTED TO SLAB HEIGHT,  
SECURE 703 ASSY TO FORM DECKING  
WITH 4 NAILS OR SCREWS.  
(FIG. 1)  
Note: Whisker bundle should face  
curved side of #703 bracket, as shown above.

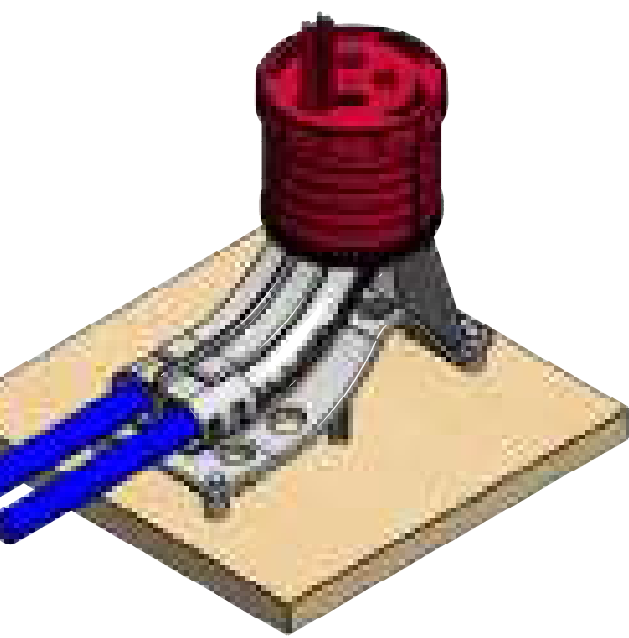


BULLET  
(SOLD SEPARATELY)  
INSERT BULLET IN PEX TUBE END FOR EASE OF  
INSTALLATION WHEN INSERTING THROUGH BODY.  
(FIG. 2)

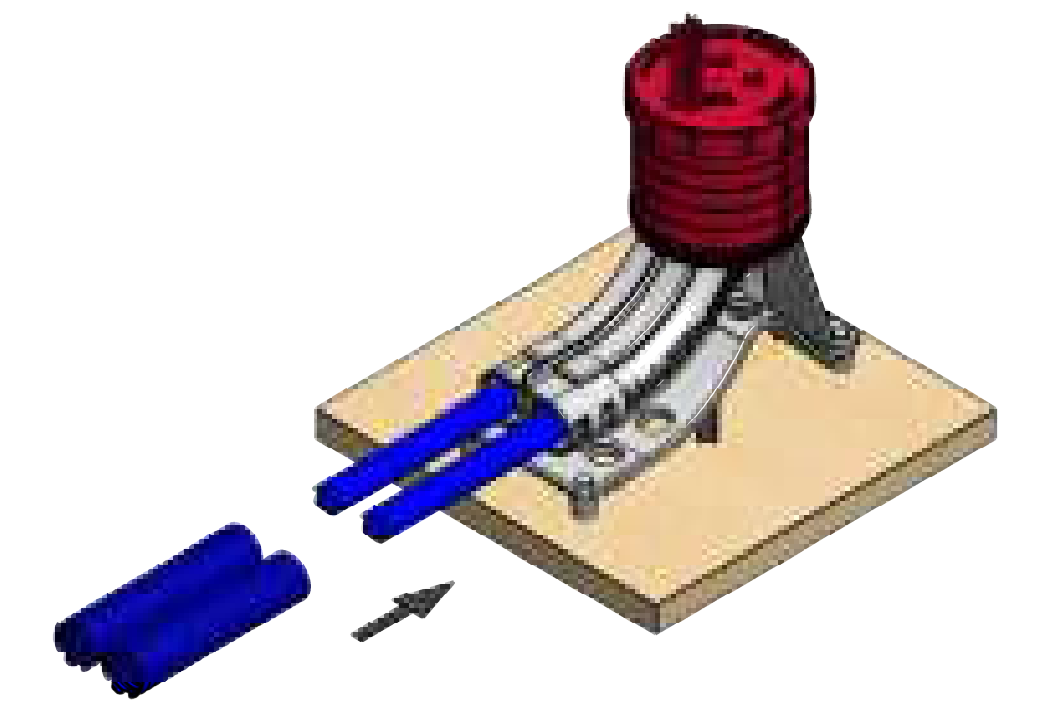
**RECOMMENDED**



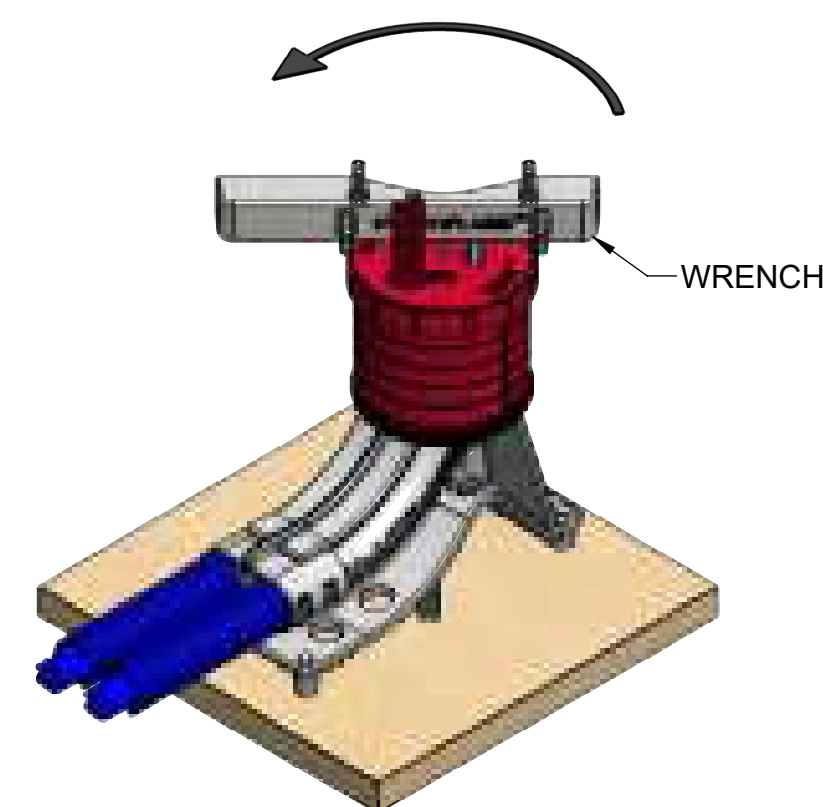
INSERT 1/2" PEX TUBES THROUGH 703 BODY.  
(FIG. 3A)  
Note: For 8" slab height PEX tubing should extend  
8-5/8" beyond corrugated sleeving, prior to PEX  
insertion into bracket.



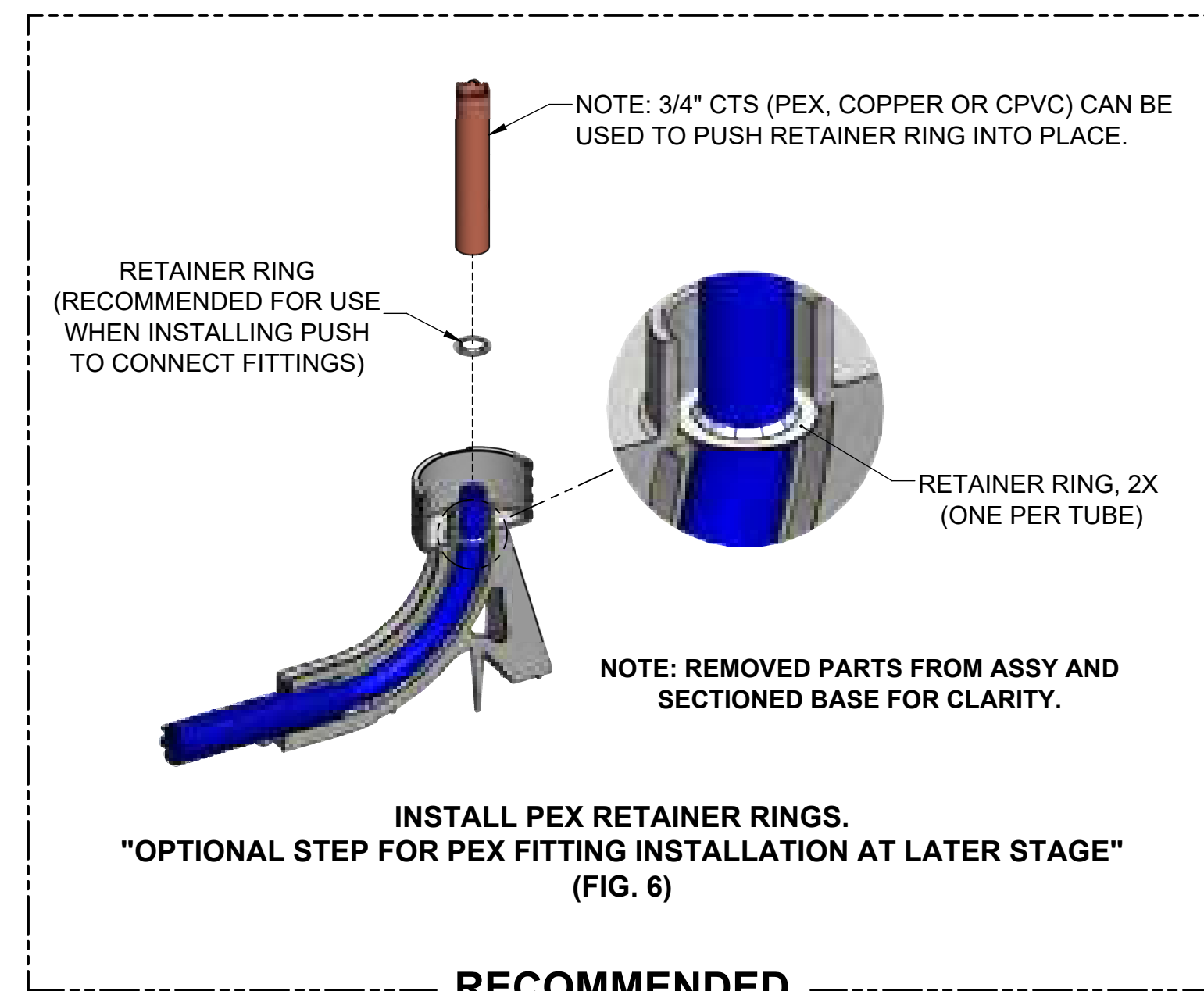
PUSH TUBES THROUGH UNTIL IT  
HITS BOTTOM SIDE OF CAP.  
(FIG. 3B)



SLIDE PLASTIC CORRUGATED SLEEVING OVER  
PEX TUBES UNTIL LOCKED IN PLACE.  
(FIG. 4)

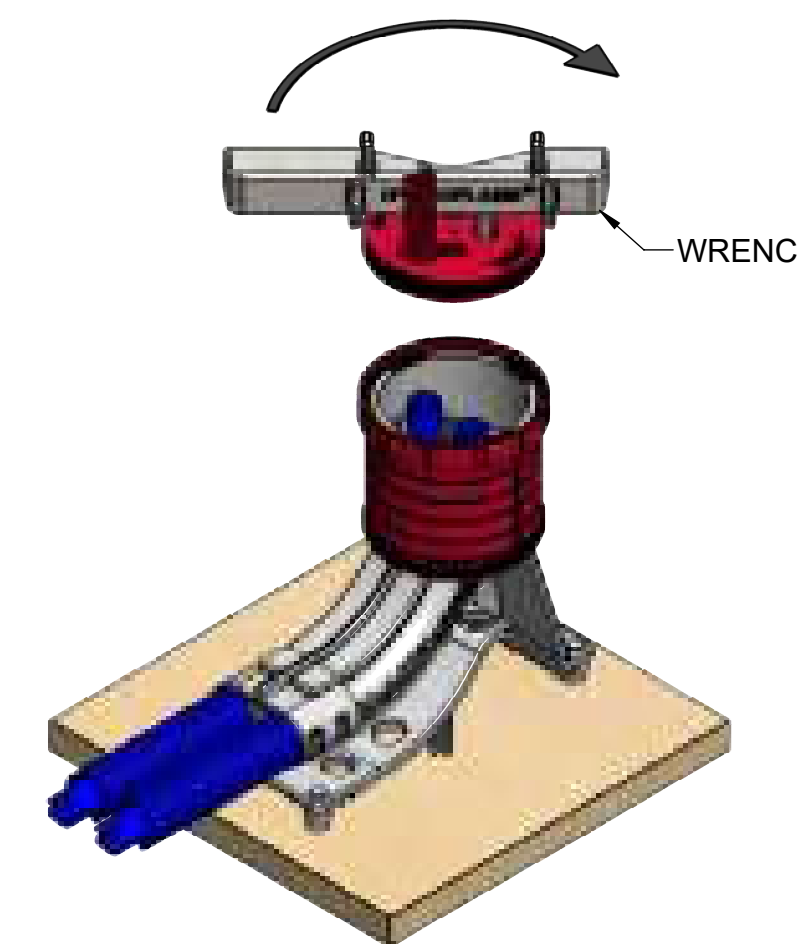


REMOVE CAP AND LOCATOR WHISKERS.  
(FIG. 5)

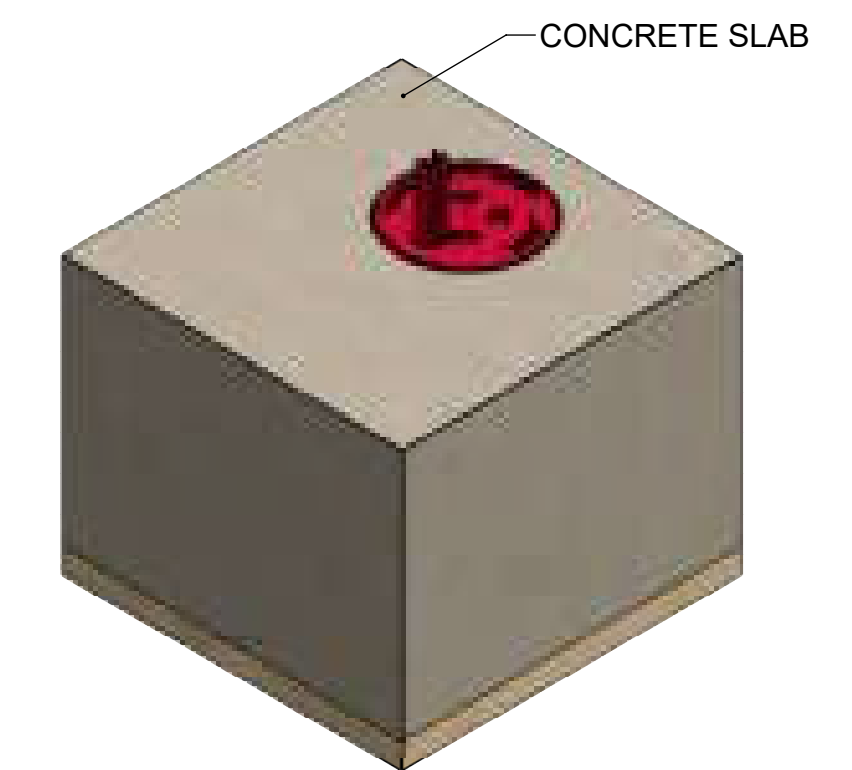


NOTE: 3/4" CTS (PEX, COPPER OR CPVC) CAN BE  
USED TO PUSH RETAINER RING INTO PLACE.  
RETAINER RING  
(RECOMMENDED FOR USE  
WHEN INSTALLING PUSH  
TO CONNECT FITTINGS)  
NOTE: REMOVED PARTS FROM ASSY AND  
SECTIONED BASE FOR CLARITY.  
RETAINER RING, 2X  
(ONE PER TUBE)  
INSTALL PEX RETAINER RINGS.  
"OPTIONAL STEP FOR PEX FITTING INSTALLATION AT LATER STAGE"  
(FIG. 6)

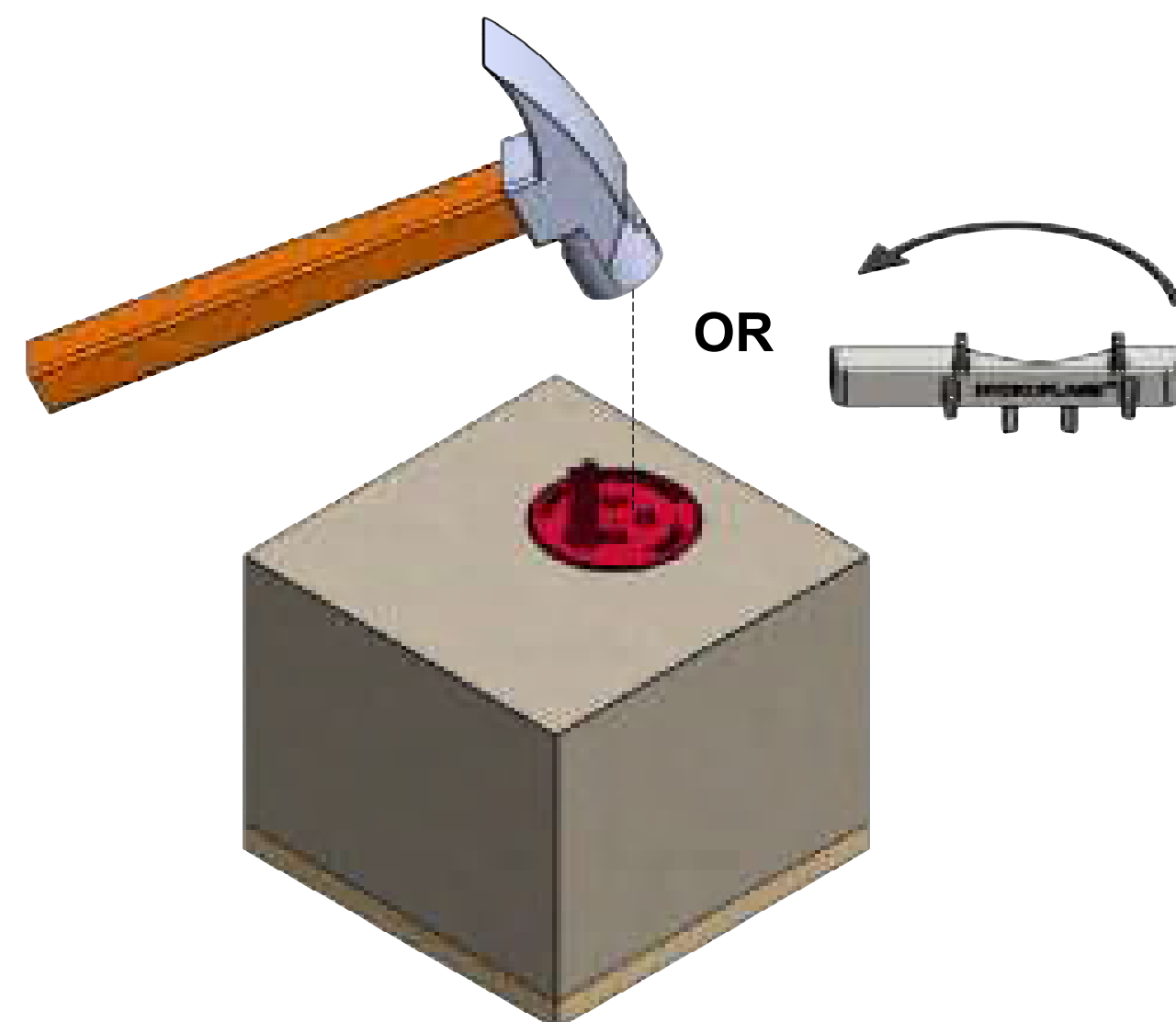
**RECOMMENDED**



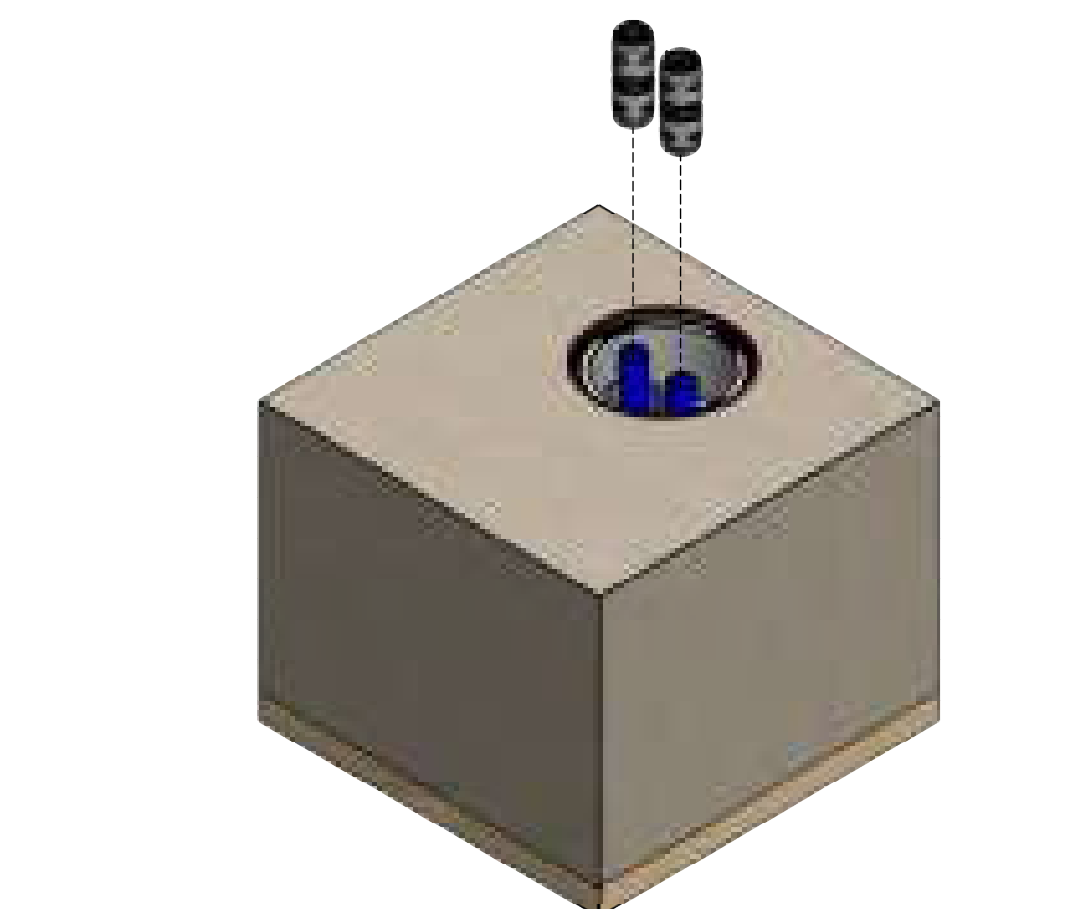
REATTACH CAP AND LOCATOR WHISKERS BACK TO  
OUTER SLEEVE AND SET TO REQUIRED SLAB HEIGHT.  
(FIG. 7)



POUR CONCRETE.  
(FIG. 8)



WHEN IT IS TIME TO CONNECT TO PEX TUBING, REMOVE CAP  
AND LOCATOR WHISKERS USING HAMMER OR CAP WRENCH.  
(FIG. 9)



INSTALL 1/2" PEX FITTING.  
[PUSH-TO-CONNECT OR F1960 COLD EXPANSION FITTING]  
(FIG. 10)

**#703-DEC  
SHOWN**



**#703-SEC / -DEC In-Slab PEX Protector Assy,  
Installation Instructions, RevB, 09-14-20  
(For 7-1/2" thru 10" Slab Heights)**