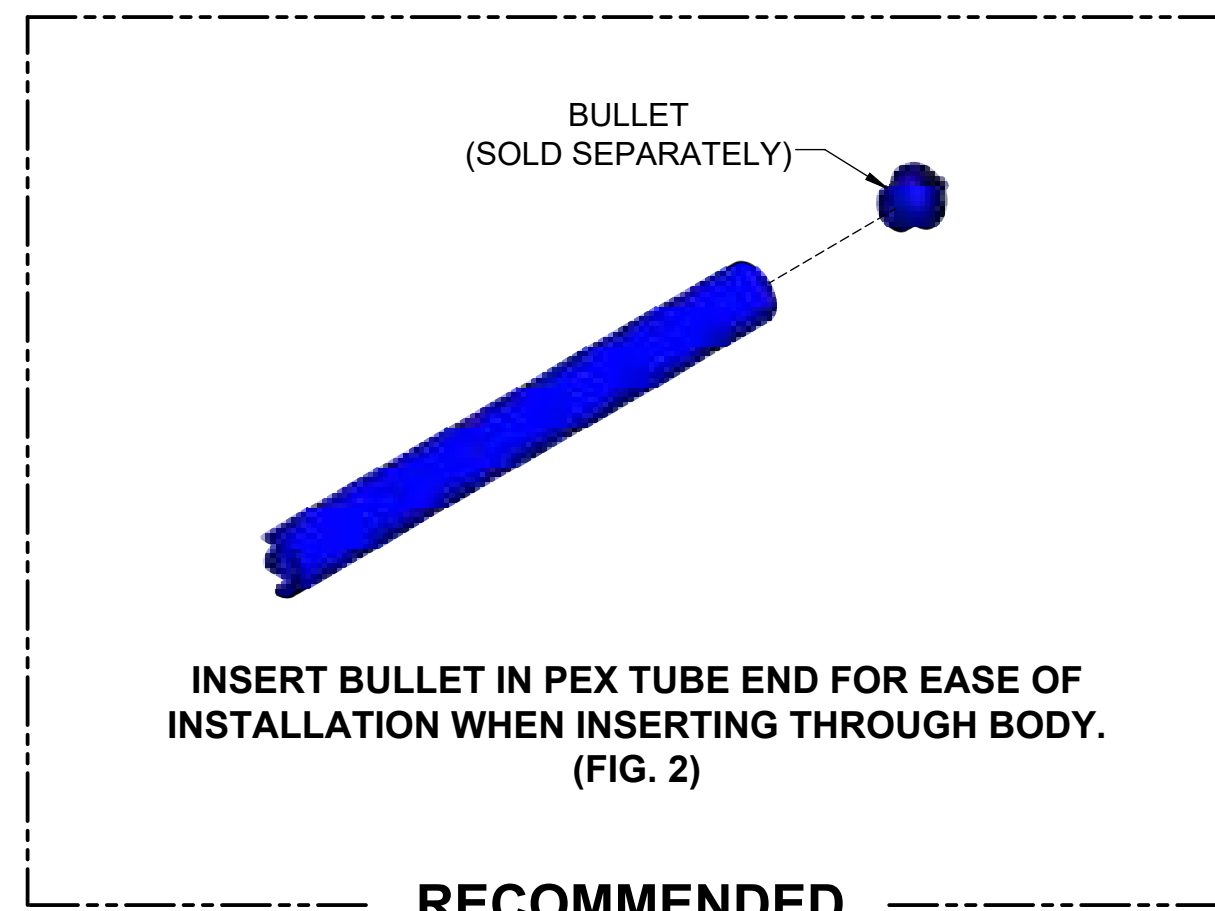


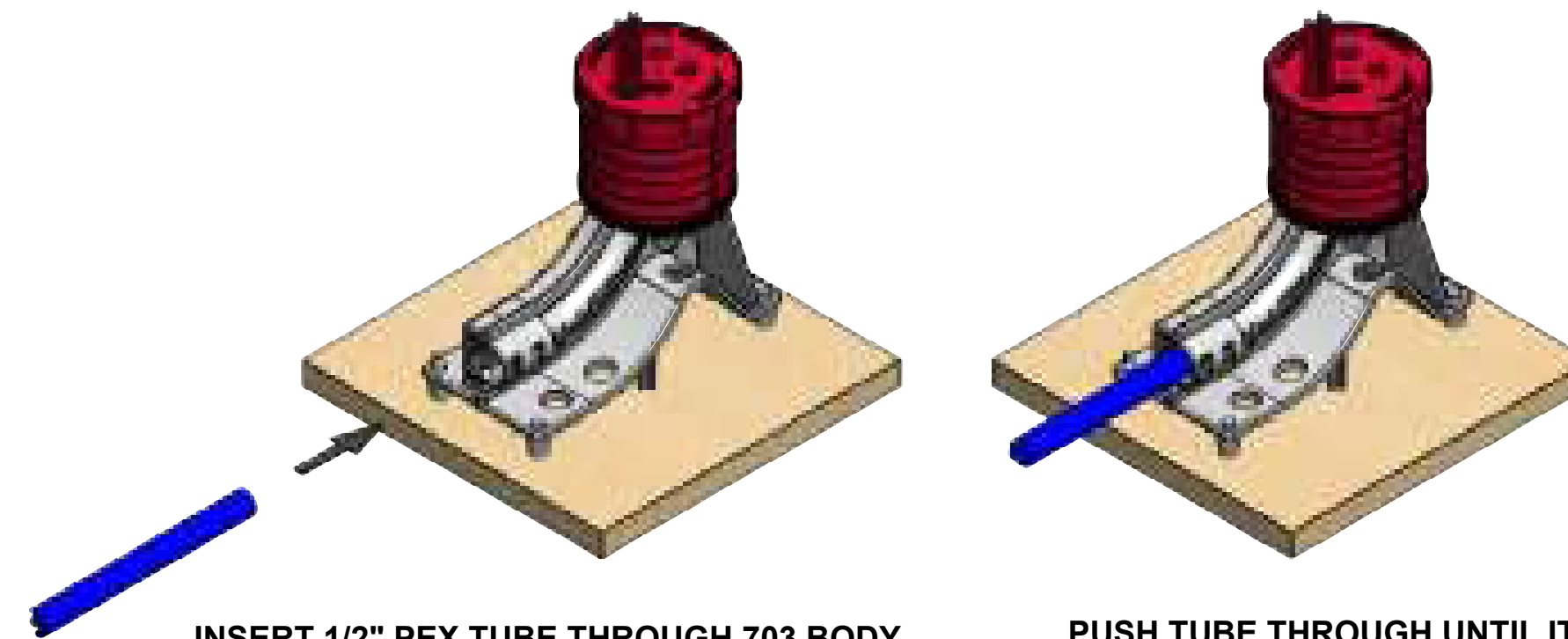
WITH CAP ADJUSTED TO SLAB HEIGHT,
SECURE 703 ASSY TO FORM DECKING
WITH 4 NAILS OR SCREWS.
(FIG. 1)
Note: Whisker bundle should face
curve side of #703 bracket, as shown above.



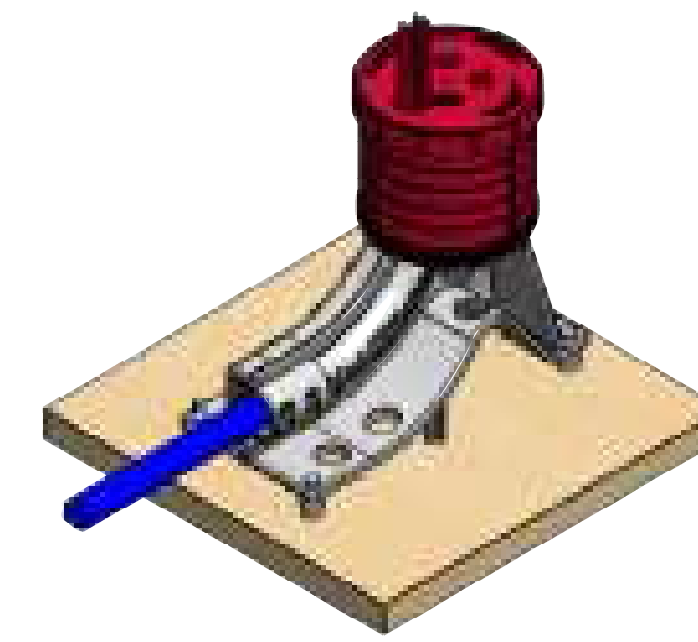
BULLET
(SOLD SEPARATELY)

INSERT BULLET IN PEX TUBE END FOR EASE OF
INSTALLATION WHEN INSERTING THROUGH BODY.
(FIG. 2)

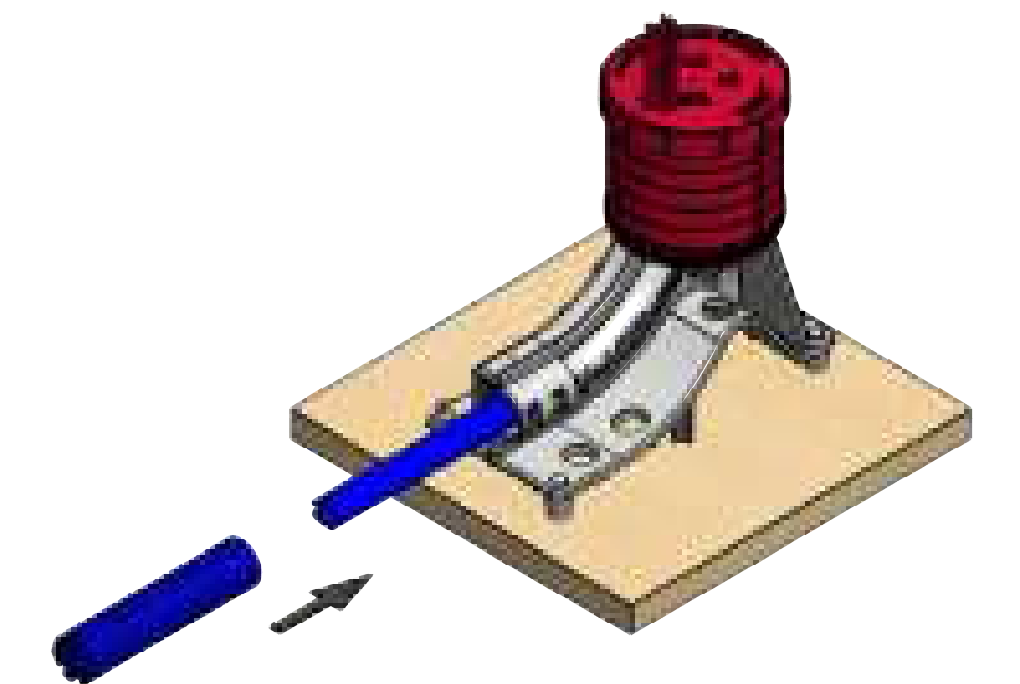
RECOMMENDED



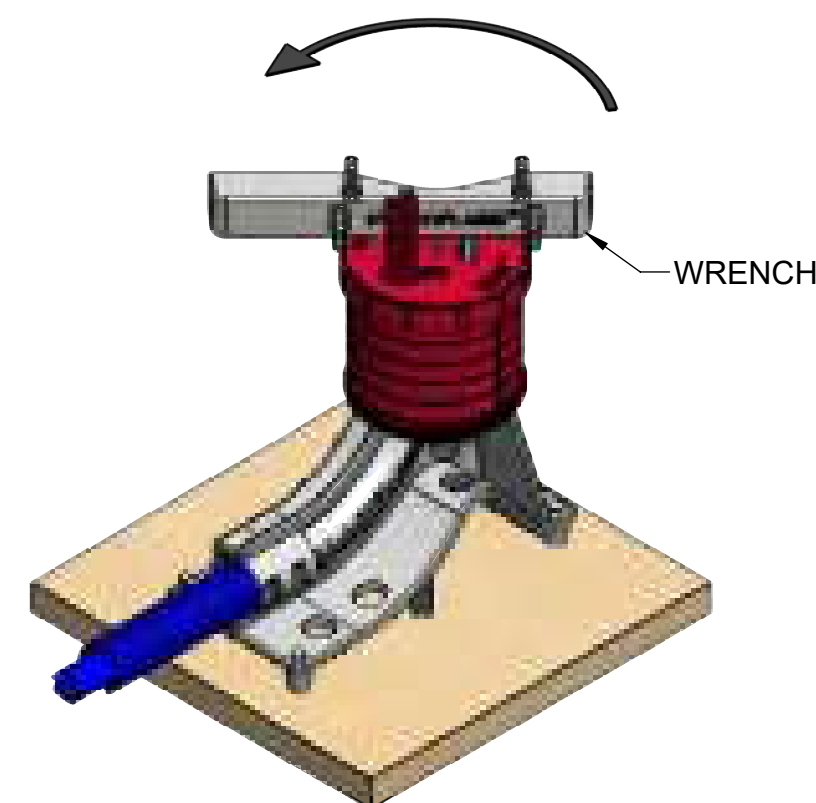
INSERT 1/2" PEX TUBE THROUGH 703 BODY.
(FIG. 3A)
Note: For 8" slab height PEX tubing should extend
8-5/8" beyond corrugated sleeving, prior to PEX
insertion into bracket.



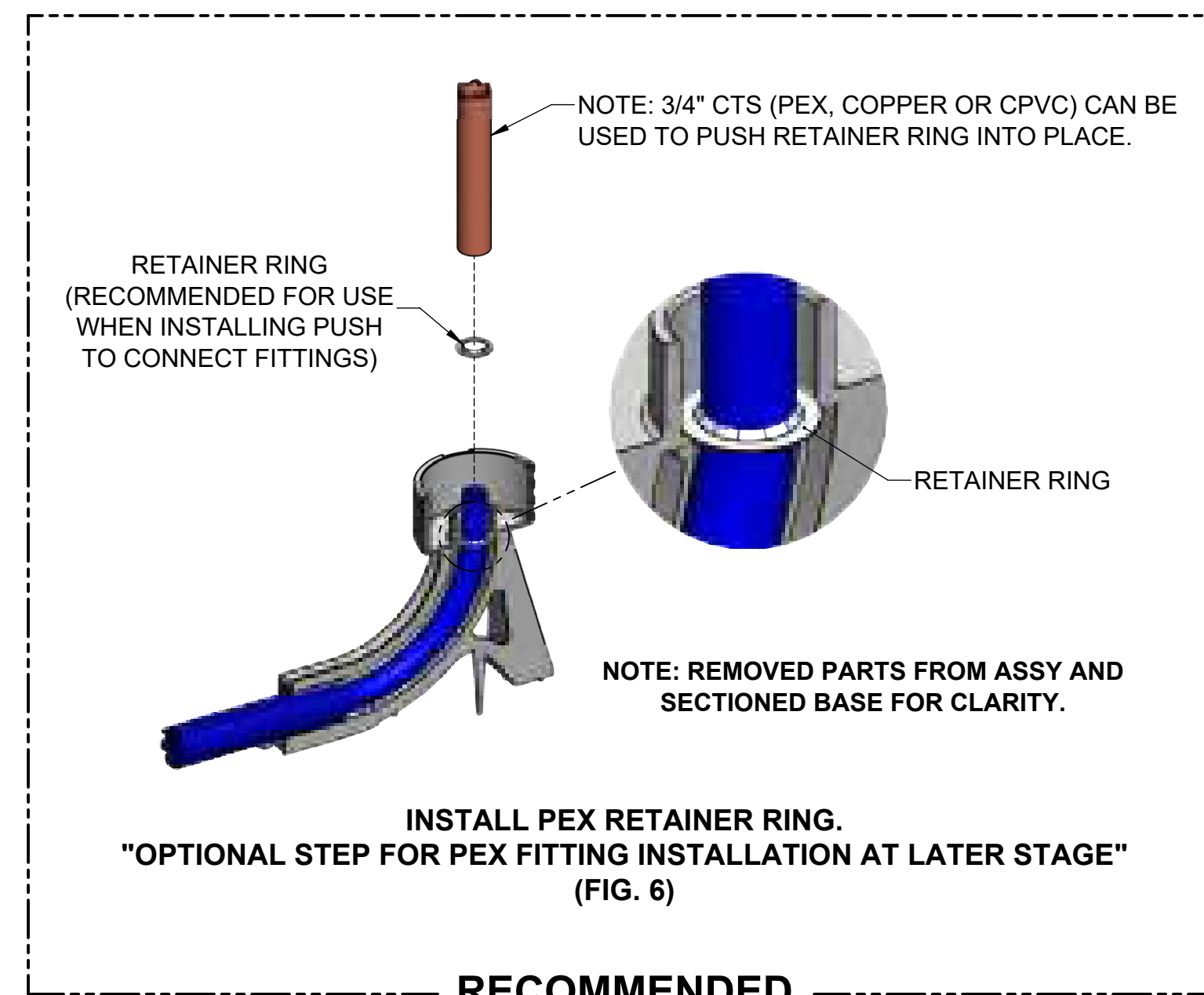
PUSH TUBE THROUGH UNTIL IT
HITS BOTTOM SIDE OF CAP.
(FIG. 3B)



SLIDE PLASTIC CORRUGATED SLEEVING OVER
PEX TUBE UNTIL LOCKED IN PLACE.
(FIG. 4)



REMOVE CAP AND LOCATOR WHISKERS.
(FIG. 5)



NOTE: 3/4" CTS (PEX, COPPER OR CPVC) CAN BE
USED TO PUSH RETAINER RING INTO PLACE.

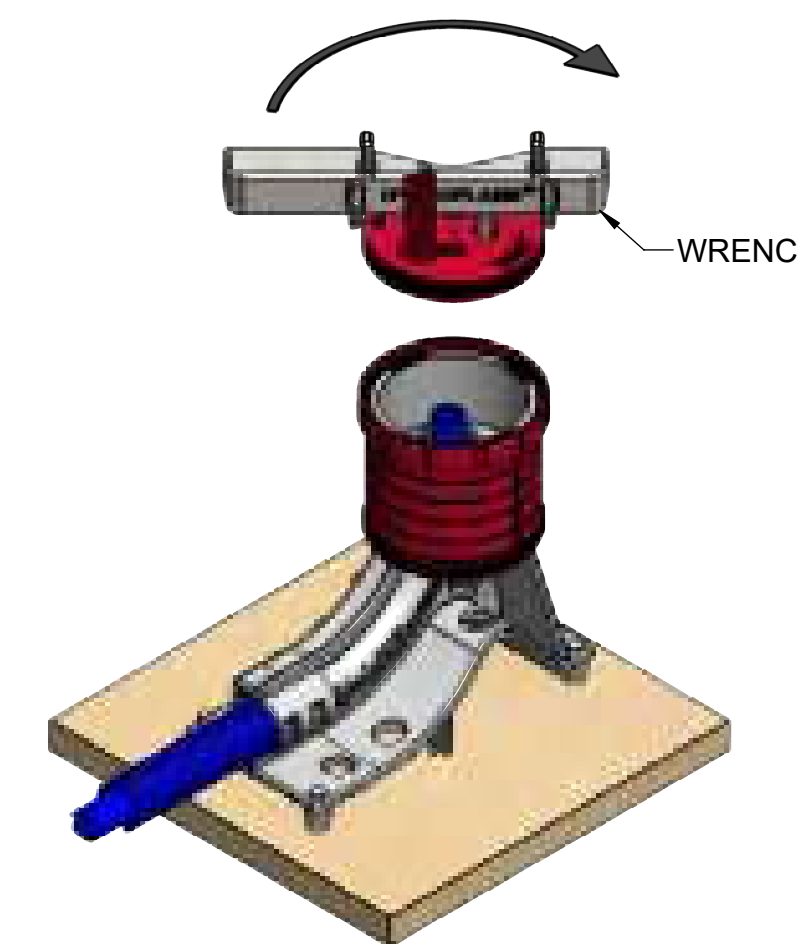
RETAINER RING
(RECOMMENDED FOR USE
WHEN INSTALLING PUSH
TO CONNECT FITTINGS)

RETAINER RING

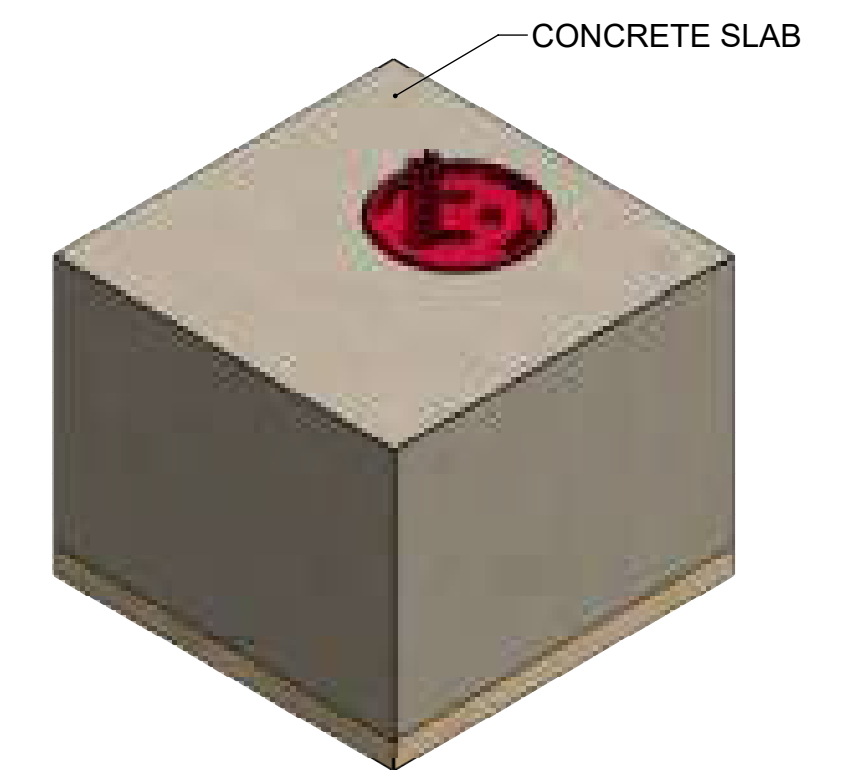
NOTE: REMOVED PARTS FROM ASSY AND
SECTIONED BASE FOR CLARITY.

INSTALL PEX RETAINER RING.
"OPTIONAL STEP FOR PEX FITTING INSTALLATION AT LATER STAGE"
(FIG. 6)

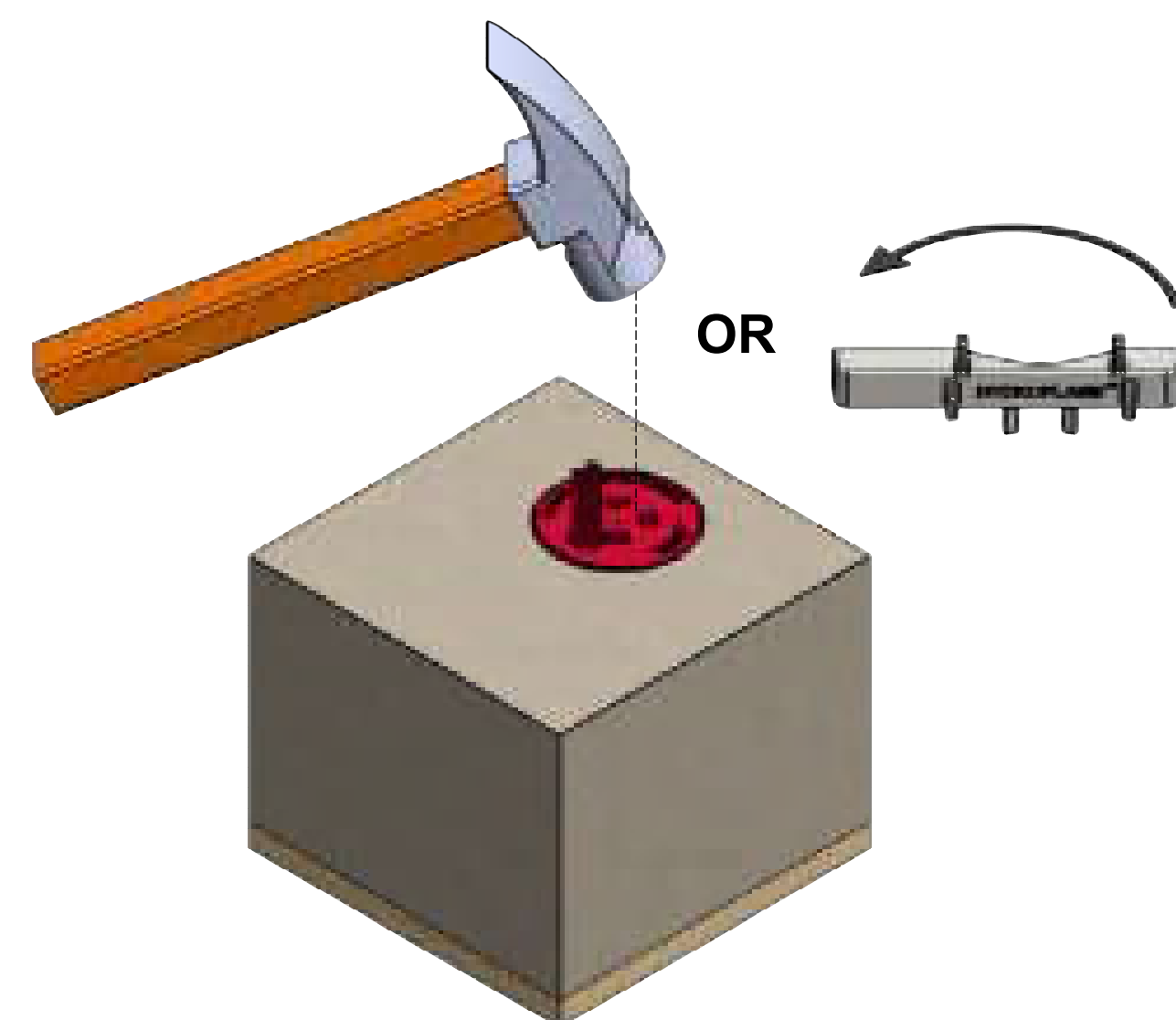
RECOMMENDED



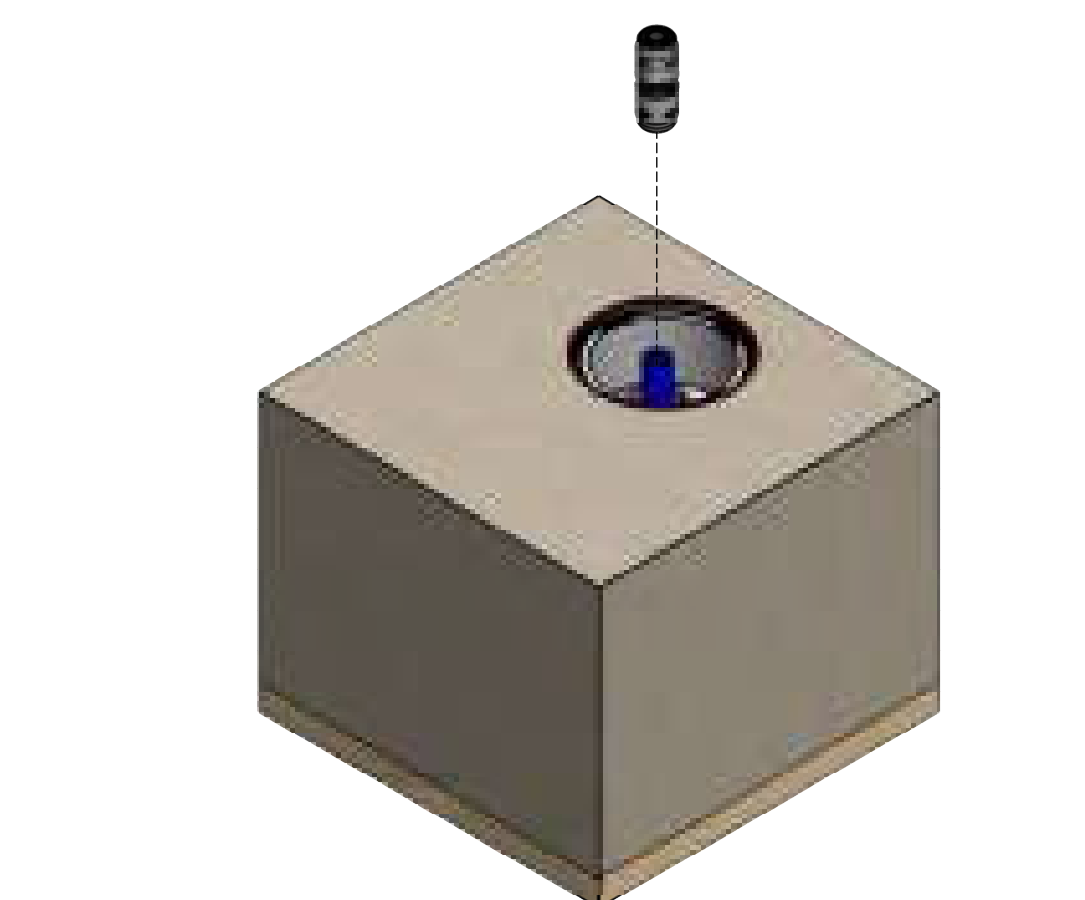
REATTACH CAP AND LOCATOR WHISKERS BACK TO
OUTER SLEEVE AND SET TO REQUIRED SLAB HEIGHT.
(FIG. 7)



POUR CONCRETE.
(FIG. 8)



WHEN IT IS TIME TO CONNECT TO PEX TUBING, REMOVE CAP
AND LOCATOR WHISKERS USING HAMMER OR CAP WRENCH.
(FIG. 9)



INSTALL 1/2" PEX FITTING.
[PUSH-TO-CONNECT OR F1960 COLD EXPANSION FITTING]
(FIG. 10)

**#703-SEC
SHOWN**



**#703-SEC / -DEC In-Slab PEX Protector Assy,
Installation Instructions, RevB, 09-14-20
(For 7-1/2" thru 10" Slab Heights)**