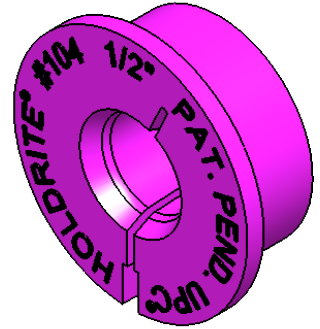
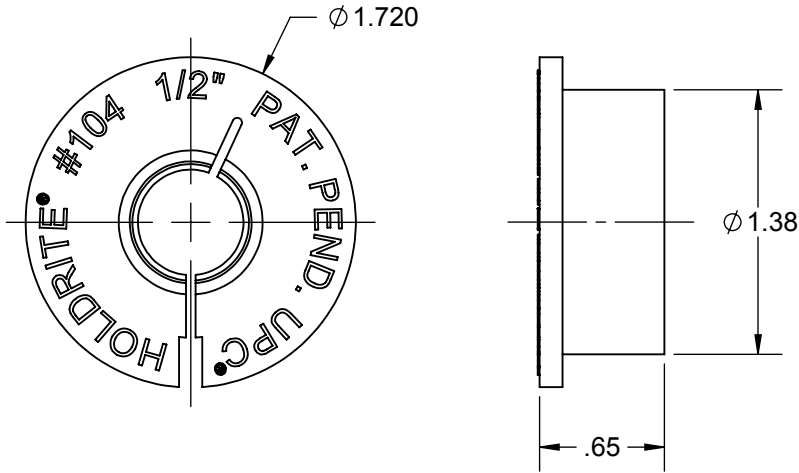


# PRODUCT SPECIFICATION DRAWING

## HOLDRITE® #104 INSERT



ALL DIMENSIONS IN INCHES

**THE HOLDRITE® #104 insert is designed to work with HOLDRITE #103, #121, #709 and #125 series brackets. For Copper, PEX and CPVC tube. This insert grips tubing firmly and thus ideal for use at a fixture stub-out location.**

**Product Information:**

- Material: Polyethylene, purple
- Temperature range: -10°F to +150°F
- UPC / IPC / IAPMO listed



THIS INFORMATION IS PROPRIETARY TO HOLDRITE AND IS SUBJECT TO CHANGE WITHOUT NOTICE. IT MAY NOT BE REPRODUCED IN PART OR WHOLE WITHOUT WRITTEN AUTHORIZATION.



| Product Submittal  |      |
|--------------------|------|
| Job Name:          |      |
| Date:              |      |
| Part Number:       | Qty: |
|                    |      |
| Architect / Owner: |      |
|                    |      |
| Contractor:        |      |
|                    |      |
| Notes:             |      |
|                    |      |
|                    |      |