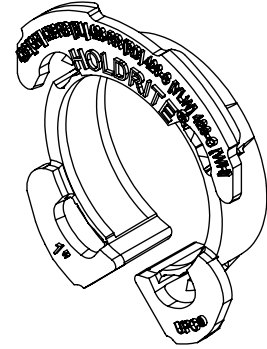
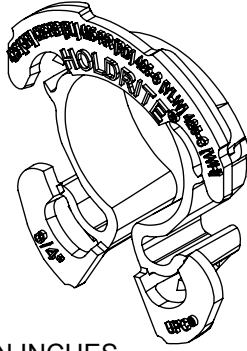
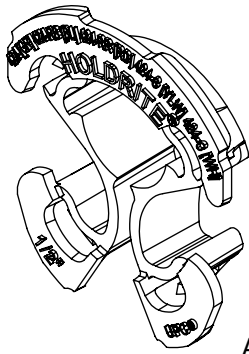
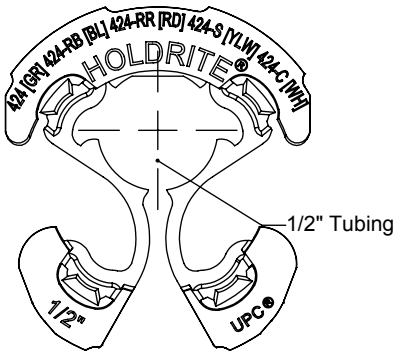
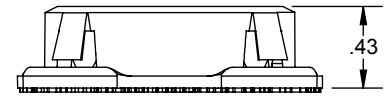
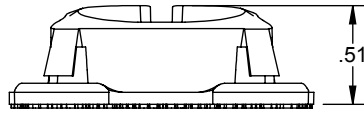
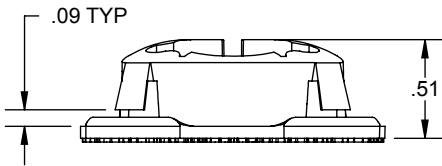


PRODUCT SPECIFICATION DRAWING

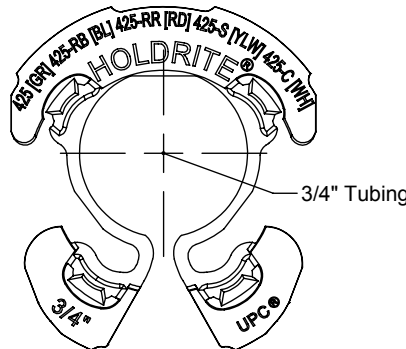
HOLDRITE® #424-RR, #424-RB, #425-RR, #425-RB, #426-RR & #426-RB Inserts



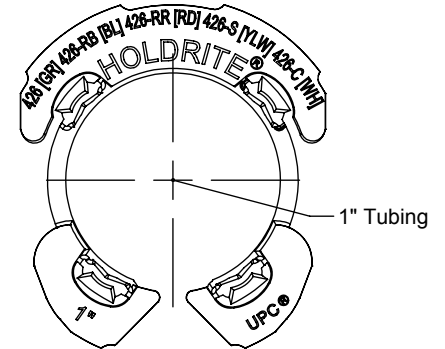
ALL DIMENSIONS IN INCHES



#424-RR (Red)
#424-RB (Blue)



#425-RR (Red)
#425-RB (Blue)



#426-RR (Red)
#426-RB (Blue)

For used with 1-11/32" or 1-3/8" round cut-outs in 14 to 25 gage sheet metal. Ideal for isolation of Copper, PEX or CPVC tubing. Complies with UL94V-2 fire rating.

Product Information:

- Material: Polypropylene, UL94V-2, Blue or Red
- Temperature range: -10°F to 180°F
- UPC / IPC / IAPMO listed



THIS INFORMATION IS PROPRIETARY TO HOLDRITE AND IS SUBJECT TO CHANGE WITHOUT NOTICE. IT MAY NOT BE REPRODUCED IN PART OR WHOLE WITHOUT WRITTEN AUTHORIZATION.

HOLDRITE®

CONVERTING MAKESHIFT METHODS INTO ENGINEERED SOLUTIONSSM

800-321-0316 OR 760-744-6944 / FAX: 760-744-0507 / WWW.HOLDRITE.COM
spec_424-RR/-RB_425-RR/-RB_426-RR/-RB_RevC

Product Submittal	
Job Name:	
Date:	
Part Number:	Qty:
Architect / Owner:	
Contractor:	
Notes:	