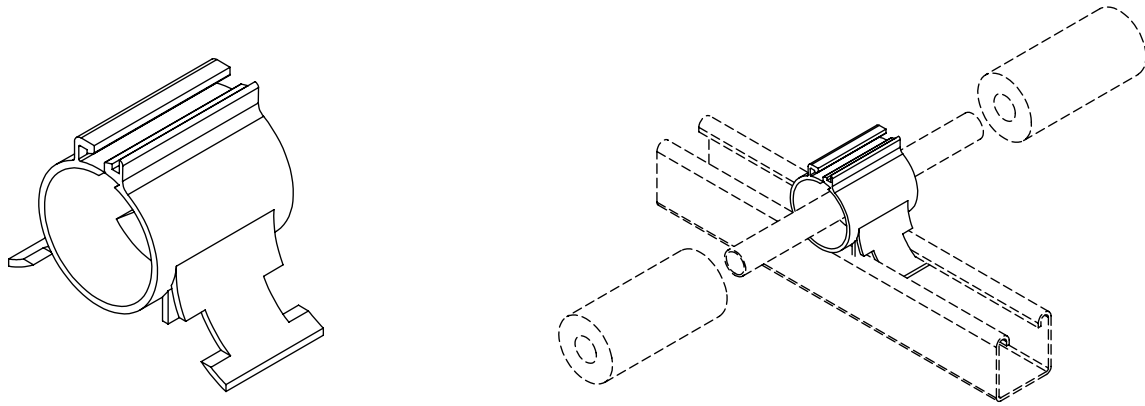


# PRODUCT SPECIFICATION DRAWING

## HOLDRITE® Insulation Coupling 8 Series Strut Mount



THE HOLDRITE® Insulation Coupling “8 Series” clamps are designed for use with insulated pipe lines mounted on strut. These one piece clamps are non-metallic and fasten simply with the use of a pair of pliers and without any hardware or fasteners. Recommended for horizontal positioning only.

### Product Information:

- Installation time is greatly reduced
- Complete vapor barrier at suspension points by gluing or taping the butt joint
- Dramatically improves finished appearance of insulated tube runs
- Eliminates insulation compression at suspension points
- For use as a strut-mounted clamp (recommended for horizontal top mounting only)
- Currently available for 5/8” to 2-5/8” O.D. tube and 1/2” or 1” wall insulation thickness
- Temperature range (safe range): -45°F to 275°F



THIS INFORMATION IS PROPRIETARY TO HOLDRITE AND IS SUBJECT TO CHANGE WITHOUT NOTICE. IT MAY NOT BE REPRODUCED IN PART OR WHOLE WITHOUT WRITTEN AUTHORIZATION.

# HOLDRITE®

CONVERTING MAKESHIFT METHODS INTO ENGINEERED SOLUTIONS<sup>SM</sup>  
 800-321-0316 OR 760-744-6944 / FAX: 760-744-0507 / WWW.HOLDRITE.COM  
 spec\_Insulation Coupling\_8 Series\_RevC

Product Submittal	
Job Name:	
Date:	
Part Number:	Qty:
Architect / Owner:	
Contractor:	
Notes:	