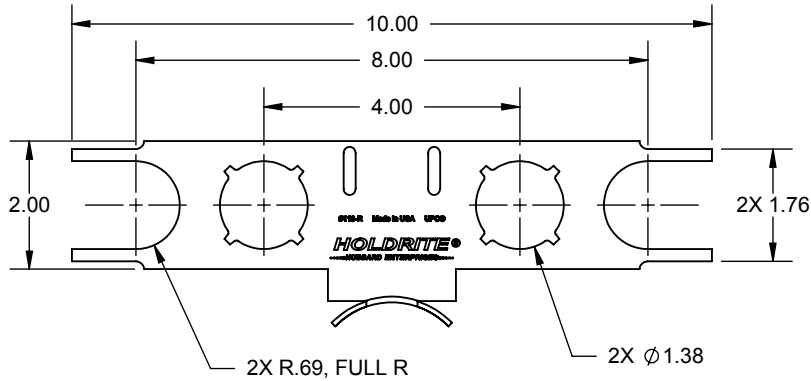
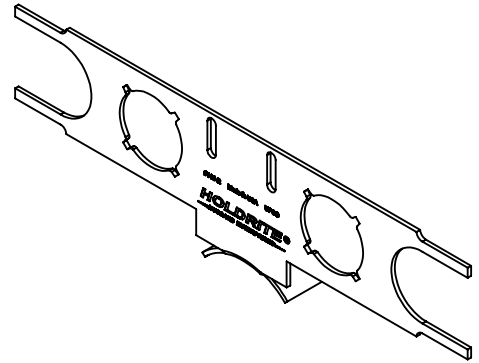


PRODUCT SPECIFICATION DRAWING

PEXRITE® #110-R



4" Stainless Steel Band



ALL DIMENSIONS IN INCHES

The PEXRITE® #110-R is a 14 gage galvanized steel bracket designed to support sinks and lavatory stub-outs. Ideal for inland sink fixtures or prefab. Provides the ability to complete rough-in prior to wall framing. Also excellent for acoustical situations. Use with various HOLDRITE pipe isolators and inserts, including the PEXRITE® #701 Clamp and #704 Insert. Allows support for 1/2", 3/4" or 1" piping. Packaged with a self-locking 4" stainless steel band, and isolation felt. Mounts to vertical or horizontal piping.

Product Information:

- Material: 14 gage CRS, galvanized
- Load rating: 25 pounds
- UPC / IPC / IAPMO listed



THIS INFORMATION IS PROPRIETARY TO HOLDRITE AND IS SUBJECT TO CHANGE WITHOUT NOTICE. IT MAY NOT BE REPRODUCED IN PART OR WHOLE WITHOUT WRITTEN AUTHORIZATION.



CONVERTING MAKESHIFT METHODS INTO ENGINEERED SOLUTIONSSM
 800-321-0316 OR 760-744-6944 / FAX: 760-744-0507 / WWW.HOLDRITE.COM
 spec_110-R_RevG

Product Submittal	
Job Name:	
Date:	
Part Number:	Qty:
Architect / Owner:	
Contractor:	
Notes:	