



HOLDRITE®

CONVERTING MAKESHIFT METHODS INTO ENGINEERED SOLUTIONSSM

QUICK STAND™
SUSPENDED EQUIPMENT PLATFORMS
INSTALLATION INSTRUCTIONS (ALL MODELS)

Patents Pending

**BEFORE YOU BEGIN, READ IMPORTANT SAFETY AND
STRUCTURAL SUPPORT INFORMATION**

TABLE OF CONTENTS

I. Anchoring Information	3
II. All Part Descriptions - Enclosed and Required from Installer	4
III. Ceiling Mount Installation	6
IV. Wall Mount Installation - Concrete Only	7
V. Wall Mount Installation - Wood/Metal Stud with Backing	8
VI. Important Installation and Safety Information	12



QUICK STAND™

SUSPENDED EQUIPMENT PLATFORMS

Model #	Application	Load Rating	Platform Size	Type of Drain Fitting	Fitting Size	Seismic Cross Braces
30-SWHP-M	Ceiling	300 lbs	24" x 24" x 4"	Welded Steel	1¼"	No
30-SWHP-WM	Ceiling or Wall	300 lbs	24" x 24" x 4"	Welded Steel	1¼"	No
40-SWHP	Ceiling	375 lbs	21¼" x 21¼" x 2½"	PVC	1"	Yes
40-SWHP-C	Ceiling	375 lbs	21¼" x 21¼" x 2½"	CPVC	1"	Yes
40-SWHP-A	Ceiling	375 lbs	21¼" x 21¼" x 2½"	PVC	1"	No
40-SWHP-A-C	Ceiling	375 lbs	21¼" x 21¼" x 2½"	CPVC	1"	No
40-SWHP-M	Ceiling	375 lbs	21¼" x 21¼" x 2½"	Welded Steel	1"	No
40-SWHP-W	Ceiling or Wall	375 lbs	21¼" x 21¼" x 2½"	PVC	1"	No
40-SWHP-W-C	Ceiling or Wall	375 lbs	21¼" x 21¼" x 2½"	CPVC	1"	No
40-SWHP-WM	Ceiling or Wall	375 lbs	21¼" x 21¼" x 2½"	Welded Steel	1"	No
50-SWHP	Ceiling	600 lbs	26½" x 26½" x 2½"	PVC	1"	Yes
50-SWHP-C	Ceiling	600 lbs	26½" x 26½" x 2½"	CPVC	1"	Yes
50-SWHP-A	Ceiling	600 lbs	26½" x 26½" x 2½"	PVC	1"	No
50-SWHP-A-C	Ceiling	600 lbs	26½" x 26½" x 2½"	CPVC	1"	No
50-SWHP-M	Ceiling	600 lbs	26½" x 26½" x 2½"	Welded Steel	1"	No
50-SWHP-W	Ceiling or Wall	600 lbs	26½" x 26½" x 2½"	PVC	1"	No
50-SWHP-W-C	Ceiling or Wall	600 lbs	26½" x 26½" x 2½"	CPVC	1"	No
50-SWHP-WM	Ceiling or Wall	600 lbs	26½" x 26½" x 2½"	Welded Steel	1"	No
60-SWHP	Ceiling	750 lbs	28½" x 28½" x 3"	PVC	1¼"	Yes
60-SWHP-A	Ceiling	750 lbs	28½" x 28½" x 3"	PVC	1¼"	No
60-SWHP-M	Ceiling	750 lbs	28½" x 28½" x 3"	Welded Steel	1¼"	No
60-SWHP-W	Ceiling or Wall	750 lbs	28½" x 28½" x 3"	PVC	1¼"	No
60-SWHP-WM	Ceiling or Wall	750 lbs	28½" x 28½" x 3"	Welded Steel	1¼"	No

NOTE: The #50 SWHP and #60 SWHP series products are rated to accept an evenly-distributed load of up to 600 & 750 pounds respectively (the approximate weight of a filled 50-gallon water heater). The #40 SWHP series products accept an evenly-distributed load of up to 375 pounds (the approximate weight of a filled 20-gallon water heater). The #30 SWHP series products accept an evenly - distributed load of up to 300 pounds (approximate weight of a filled 20-gallon water heater). It is the responsibility of the installer to ensure that all suspension materials and the supporting structure are sound and secure enough to support the expected loading. These capacities have been verified by testing and certified by a Professional Engineer - documentation available upon request.



ANCHORING TEMPLATE PRINTED ON BOTTOM OF BOX



- Drilling guides for **CEILING MOUNT** installation
- Drilling guides for **WALL MOUNT** installation

QUICK STAND™ SUSPENDED EQUIPMENT PLATFORM

MODEL #	DESCRIPTION
40-SWHP-A	CEILING ONLY. NO CROSS BRACES. Suspended Platform supports water heaters up to 20 gallons or 375 pounds. 21-1/4" x 21-1/4" x 2-1/2" Pan. 1" PVC DRAIN FITTING.
50-SWHP-A	CEILING ONLY. NO CROSS BRACES. Suspended Platform supports water heaters up to 50 gallons or 600 pounds. 26-1/2" x 26-1/2" x 2-1/2" Pan. 1" PVC DRAIN FITTING.
40-SWHP	CEILING ONLY. NO CROSS BRACES. Suspended Platform supports water heaters up to 20 gallons or 375 pounds. 21-1/4" x 21-1/4" x 2-1/2" Pan. 1" PVC DRAIN FITTING.
50-SWHP	CEILING ONLY. NO CROSS BRACES. Suspended Platform supports water heaters up to 50 gallons or 600 pounds. 26-1/2" x 26-1/2" x 2-1/2" Pan. 1" PVC DRAIN FITTING.
60-SWHP	CEILING ONLY. NO CROSS BRACES. Suspended Platform supports water heaters up to 50 gallons or 750 pounds. 26-1/2" x 26-1/2" x 2-1/2" Pan. 1" PVC DRAIN FITTING.
30-SWHP-M	CEILING ONLY. NO CROSS BRACES. Suspended Platform supports water heaters up to 20 gallons or 375 pounds. 21-1/4" x 21-1/4" x 2-1/2" Pan. 1" WELDED STEEL DRAIN FITTING.
40-SWHP-M	CEILING ONLY. NO CROSS BRACES. Suspended Platform supports water heaters up to 20 gallons or 375 pounds. 21-1/4" x 21-1/4" x 2-1/2" Pan. 1" WELDED STEEL DRAIN FITTING.
50-SWHP-M	CEILING ONLY. NO CROSS BRACES. Suspended Platform supports water heaters up to 50 gallons or 600 pounds. 26-1/2" x 26-1/2" x 2-1/2" Pan. 1" WELDED STEEL DRAIN FITTING.
60-SWHP-M	CEILING ONLY. NO CROSS BRACES. Suspended Platform supports water heaters up to 50 gallons or 750 pounds. 26-1/2" x 26-1/2" x 2-1/2" Pan. 1" WELDED STEEL DRAIN FITTING.
40-SWHP-W	WALL HUNG OR CEILING. Suspended Platform supports water heaters up to 20 gallons or 375 pounds. 21-1/4" x 21-1/4" x 2-1/2" Pan. 1" PVC DRAIN FITTING.
50-SWHP-W	WALL HUNG OR CEILING. Suspended Platform supports water heaters up to 50 gallons or 600 pounds. 26-1/2" x 26-1/2" x 2-1/2" Pan. 1" PVC DRAIN FITTING.
60-SWHP-W	WALL HUNG OR CEILING. Suspended Platform supports water heaters up to 50 gallons or 750 pounds. 26-1/2" x 26-1/2" x 2-1/2" Pan. 1" PVC DRAIN FITTING.
30-SWHP-WM	WALL HUNG OR CEILING. Suspended Platform supports water heaters up to 20 gallons or 375 pounds. 21-1/4" x 21-1/4" x 2-1/2" Pan. 1" WELDED STEEL DRAIN FITTING.
40-SWHP-WM	WALL HUNG OR CEILING. Suspended Platform supports water heaters up to 20 gallons or 375 pounds. 21-1/4" x 21-1/4" x 2-1/2" Pan. 1" WELDED STEEL DRAIN FITTING.
50-SWHP-WM	WALL HUNG OR CEILING. Suspended Platform supports water heaters up to 50 gallons or 600 pounds. 26-1/2" x 26-1/2" x 2-1/2" Pan. 1" WELDED STEEL DRAIN FITTING.
60-SWHP-WM	WALL HUNG OR CEILING. Suspended Platform supports water heaters up to 50 gallons or 750 pounds. 26-1/2" x 26-1/2" x 2-1/2" Pan. 1" WELDED STEEL DRAIN FITTING.

INSTALLATION INSTRUCTIONS LOCATED INSIDE OF BOX

For more information, contact us at: (800) 321-0316 • www.HOLDRITE.com

Orientation for Wall Mounting ↑ Up



Sample Box Template (Not to Scale)



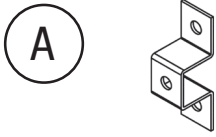
SAFETY FIRST! Always make sure that electrical wiring, water pipes or other utilities inside the wall or ceiling will not interfere with mounting this equipment! Appropriate personal protective equipment, such as safety glasses, hearing protection and gloves, are recommended.



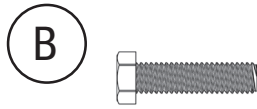
INSTALLATION MATERIALS

PART DESCRIPTIONS - Included & Not Included

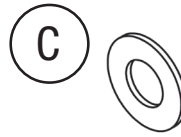
(See Below for Quantities)



A
Unistrut® "U" Style Bracket for 1-5/8" Strut Channel Unistrut #P1047 or Equal.



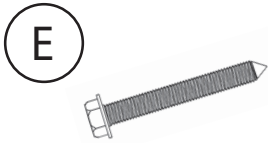
B
Screw, Hex Head, #3/8-16 X 1-1/2" Hot Dipped Galvanized or Zinc Plated



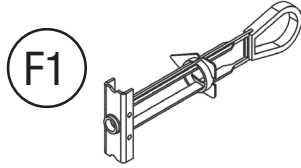
C
Washer, Flat, 3/8" Hot Dipped Galvanized or Zinc Plated



D
Flange Nut, #3/8-16 Hot Dipped Galvanized or Zinc Plated



E
Lag Bolt, Hex Head, #3/8 X 2-1/2" Hot Dipped Galvanized or Zinc Plated



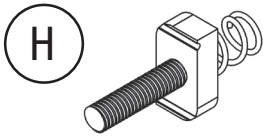
F1
TOGGLER® Toggle Bolt #3/8-16



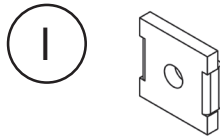
F2
3/8-16 Bolt



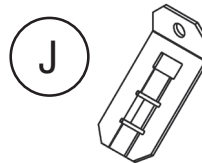
G
Unistrut® #P1000/#P1100 (or equal) 1-5/8" X 1-5/8" X 36" minimum length 12 or 14-Gage Galvanized Steel Strut



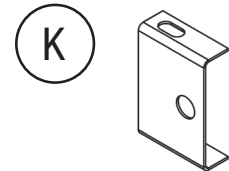
H
Unistrut® "Strut Channel Stud" for 1 5/8" Strut Channel Or Equal Unistrut #P2380-4, 3/8-16 X 1-3/8"



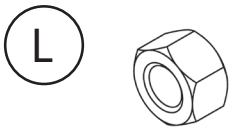
I
Unistrut® "Suspension Washer" GripStyle for 1-5/8" Strut Channel Unistrut #P2862, #3/8-16 or Equal



J
Bracket for attaching all-thread rod to wall and platform



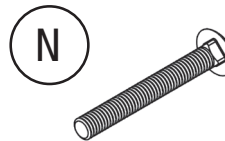
K
Bracket for attaching platform to wall (appearance may vary)



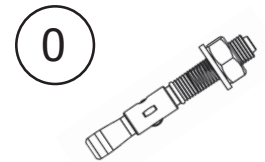
L
Hex Nut, 3/8" or 1/2" Hot Dipped Galvanized or Zinc Plated (to match size of item R below)



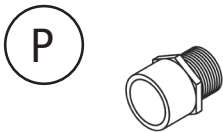
M
Washer, Flat, 3/8" or 1/2" Hot Dipped Galvanized or Zinc Plated



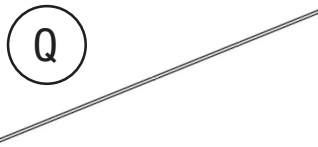
N
Carriage Bolt Hot Dipped Galvanized or Zinc Plated
#30 = 3/8" x 5"
#40 & #50 = 3/8" x 3.25"
#60 = 3/8" x 3.75"



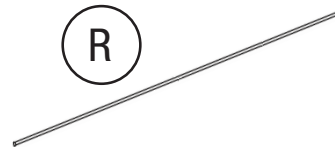
O
Concrete Anchor 3/8-16 X 2-3/4" (appearance may vary) (larger anchor may be needed based on substrate)



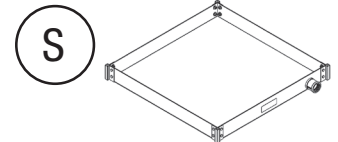
P
1" or 1 1/4" PVC or 1" CPVC drain body kit (depending on models, appearance may vary)



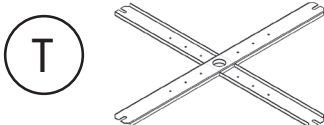
Q
3/8" all-thread rod
#30 = 30.85" #50 = 37.10"
#40 = 29.75" #60 = 40.0"



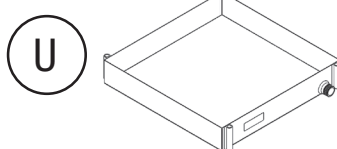
R
3/8" or 1/2" all-thread rod (length based on overhead installation elevation) (Not Included)



S
Pre-assembled steel platform/drain pan with 4 corner brackets (shown with welded fitting)



T
Pair of Cross braces on certain SWHP models (for seismic zones, size may vary)



U
Pre-assembled steel platform/drain pan with 4 corner brackets (shown with welded fitting)

CEILING MOUNT

#30-SWHP-M, #40-SWHP, #40-SWHP-A,
 #40-SWHP-M, #40-SWHP-C, #40-SWHP-A-C,
 #50-SWHP, #50-SWHP-A, #50-SWHP-M,
 #50-SWHP-C, #50-SWHP-A-C, 60-SWHP,
 60-SWHP-A, 60-SWHP-M

Included Parts

QTY.	PART#
1	'S' or 'U'
1	'P' (-M models include welded steel drain body, instead of plastic.)
1	'T' (SWHP models)
	#40-SWHP
	#40-SWHP-C
	#50-SWHP
	#50-SWHP-C
	#60-SWHP

Parts Supplied by Installer:

QTY.	PART#	QTY.	PART#
4	'R'	8	'L' (16 ea. if using item 'T')
		8	'M' (16 ea. if using item 'T')

WALL MOUNT - WOOD/METAL STUD

(Where Wood Backing will be Installed)

#30-SWHP-WM, #40-SWHP-W, #40-SWHP-WM,
 #50-SWHP-W, #50-SWHP-WM, #60-SWHP-WM,
 #60-SWHP-W

Included Parts

QTY.	PART#
1	'S' or 'U'
1	'P' (-M models include welded steel drain body, instead of plastic.)
2	'Q'
2	'K'
4	'J'
4	'C'
4	'N'
12	'D'

Parts Supplied by Installer:

QTY.	PART#	QTY.	PART#
4	'A'	4	'D'
4	'B'	8	'E'
12	'C'		

WALL MOUNT - CONCRETE

#30-SWHP-WM, #40-SWHP-W, #40-SWHP-WM,
 #50-SWHP-W, #50-SWHP-WM, #60-SWHP-WM,
 #60-SWHP-W

Included Parts

QTY.	PART#
1	'S' or 'U'
1	'P' (-M models include welded steel drain body, instead of plastic.)
2	'Q'
2	'K'
4	'J'
4	'C'
4	'N'
12	'D'

Parts Supplied by Installer:

QTY.	PART#
4	'O'

WALL MOUNT - WOOD/METAL STUD

(Where No Backing will be Installed)

#30-SWHP-WM, #40-SWHP-W, #40-SWHP-WM,
 #50-SWHP-W, #50-SWHP-WM, #60-SWHP-WM,
 #60-SWHP-W

Included Parts

QTY.	PART#
1	'S'
1	'P' (-M models include welded steel drain body, instead of plastic.)
2	'Q'
2	'K'
4	'J'
4	'C'
4	'N'
12	'D'

Parts Supplied by Installer:

QTY.	PART#	QTY.	PART#
6	'A'	12	'F1' (metal stud only)
22	'C'	12	'F2' (metal stud only)
10	'D'	2	'G'
12	'E' (wood stud only)	10	'H'
		4	'I'



CEILING MOUNT

QUICK STAND™ Models: #30-SWHP-M, #40-SWHP, #40-SWHP-A, #40-SWHP-A-C, #40-SWHP-M, #50-SWHP, #50-SWHP-A, #50-SWHP-A-C, #50-SWHP-M, #60-SWHP-A, #60-SWHP, #60-SWHP-M

CEILING MOUNT INSTRUCTIONS

1. Install anchors & hanger rods to overhead structure, using appropriate hardware. (Use template supplied (See Page 3).
2. On models with PVC or CPVC drain body, assemble plastic fitting, gasket and conduit nut into large drain hole in pan, selecting either the threaded or slip end to be outside the pan for later drain line attachment. Always place rubber gasket between the fitting and the metal pan for proper seal. **(Fig #2)**
3. Install four item 'M' washers and four item 'L' nuts onto support rods at desired height. Insert all four rods item 'R' through platform corner brackets and raise platform to meet nut and washer at desired height. Level platform carefully and support in place while installing four item 'M' washers and four item 'L' nuts onto support rods below platform corner brackets. **(Fig #3)**
4. **(If Steps 6 & 7 apply, install 2 ea. of item 'L' and 'M' at appropriate height on all four item 'R' rods, prior to attaching rods to the structure above.)**
5. Tighten all hardware.
6. Place water heater/equipment on platform, orienting to provide proper access to controls and connections.

Steps 6 - 9 are for use in seismic zones.

(Models #40-SWHP, #40-SWHP-C, #50-SWHP, #50-SWHP-C, #60-SWHP)

7. On seismic models, assemble the pair of item 'T' cross braces like an "X", so notches in center interlock. **(Fig #4)**
8. Lay assembly on top of water heater, pulling cross brace assembly down snugly against top of water heater **(Fig #5)**
9. **(If T & P relief valve is centered at the top of the water heater, install the T & P relief valve through the hole provided at the intersection of the cross braces.)**
10. If permitted by water heater manufacturer, secure cross brace assembly to top of water heater using #10 X 3/4" to 1" (max) sheet metal screws.
11. Install seismic or sway bracing as required. Attach "installer provided" seismic hardware to the corners of the platform and appropriate structural anchorage.
12. Install and route drain line as required.

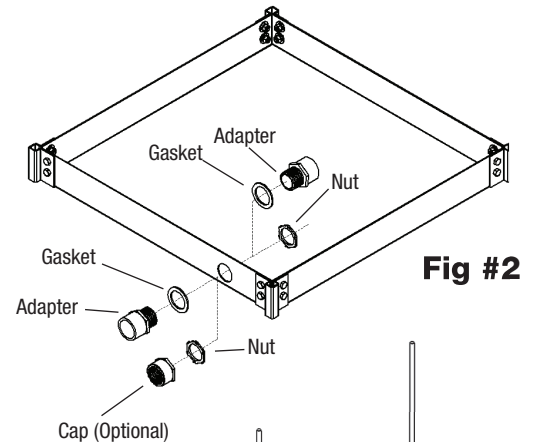


Fig #2

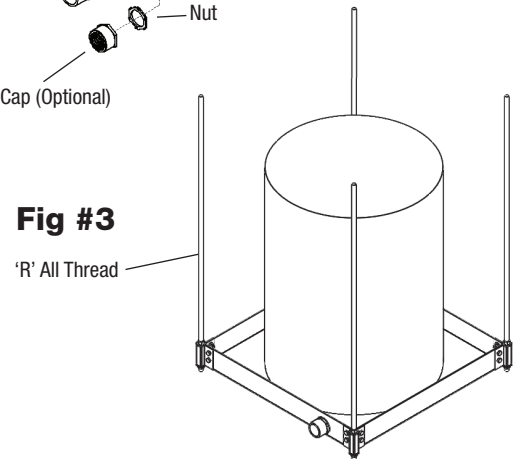


Fig #3

'R' All Thread

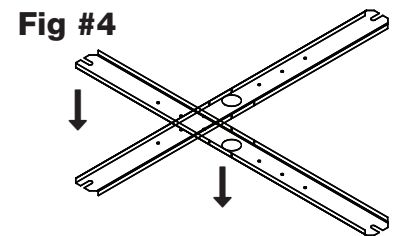


Fig #4

Fig #5

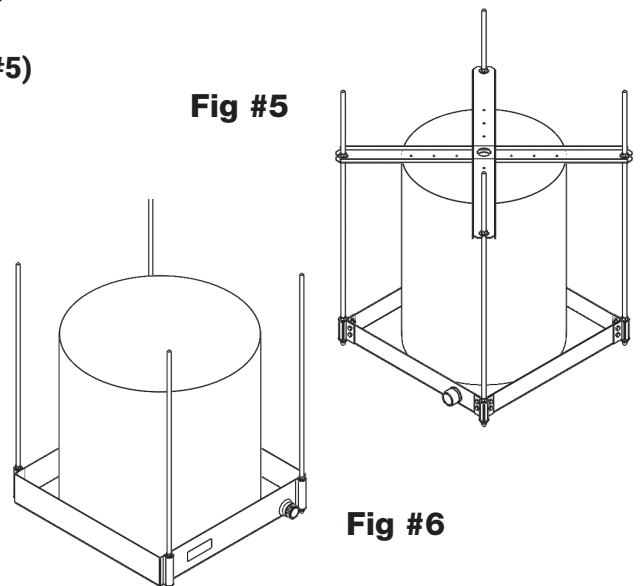


Fig #6

WALL MOUNT - (Concrete Only)



QUICK STAND™ Models: #30-SWHP-WM, #40-SWHP-W, #40-SWHP-W-C, #40-SWHP-WM, #50-SWHP-W, #50-SWHP-W-C, #50-SWHP-WM, #60-SWHP-W, #60-SWHP-WM

WALL MOUNT INSTRUCTIONS

1. Cut-out template printed on box, tape it to the wall in desired location and mark the four anchor locations on wall.
(Note: Some templates may be printed on enclosed template sheets.)
2. Drill four holes in concrete wall to the recommended depth specified by the anchor manufacturer (use 3/8" dia. anchors rated for the weight of this platform).
3. Install and tighten (4) item 'O' (concrete anchors). Allow min. 5/8" of threads exposed. **(Fig #1)**
4. Affix item 'J' (45° Brackets) (4 pls) to ends of both 3/8" threaded rods (item 'Q'). **(Fig #2)**
5. Affix one rod assembly to each of the two upper concrete wall anchors (finger tighten concrete anchor nuts & washers). **(Fig #3)**
6. Affix set of item 'K' (brackets) to the two lower anchors. The orientation of the slots in the brackets must be horizontal and facing each other. **(Fig #4)**
7. Position platform in lower set of item 'K' (brackets), aligning the holes of the drain pan's corner brackets with the slots in item 'K' (brackets). **(Fig #5)**
8. Align item 'J' (brackets) with the holes in the front corner brackets of the platform.
 - 8.1. Slide item 'N' (carriage bolt) bottom up through four corner holes of drain pan, and slide item 'C' (washers) on bolt shaft and hand tighten item 'D' (flanged nuts). **(Fig #6)**
9. Tighten the flanged nuts at the four corners of the platform and the nuts at each wall anchor.
 - 9.1. Tighten all hardware securely (If vibrating equipment will be mounted, Loctite® or similar is recommended)
10. On platform versions with a plastic drain assembly, install drain fitting. Always place rubber gasket between the fitting and the metal pan for proper seal. **(Fig #7)**
11. Set water heater or equipment on platform.
 - 11.1. In seismic regions, install QUICK STRAP® earthquake restraint kit around water heater per manufacturer's instructions.

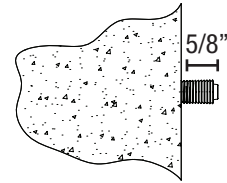


Fig #1

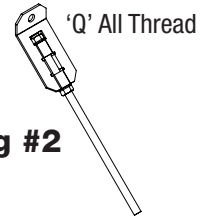


Fig #2

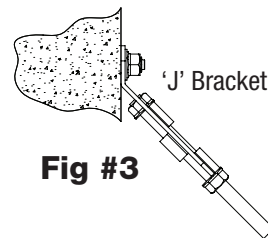


Fig #3

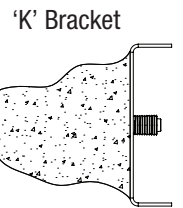


Fig #4

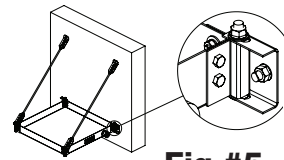


Fig #5

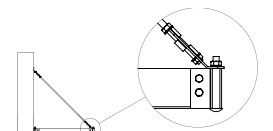


Fig #6

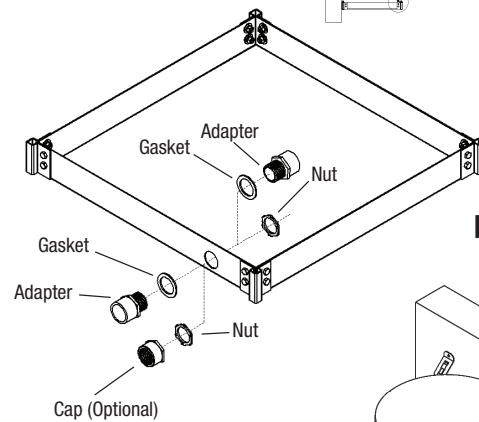


Fig #7

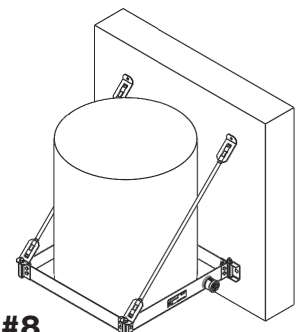
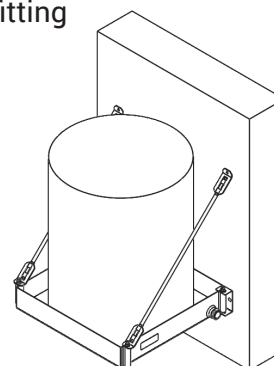


Fig #8

#50-SWHP Shown



#30-SWHP Shown

Fig #9



WALL MOUNT - (Wood/Metal Studs)

QUICK STAND™ Models: #30-SWHP-WM, #40-SWHP-W, #40-SWHP-WM, #50-SWHP-W, #50-SWHP-WM, #60-SWHP-W, #60-SWHP-WM, #60-SWHP-W-C

ROUGH-IN APPLICATION ONLY (Where Wood Backing Will Be Installed)

1. Select desired location for wall mount platform (MUST BE 16" CENTER STUD SPACING MAXIMUM).
2. Install 2 X 6 wood backing between studs covering at least two "stud bays", (three for 60-SWHP), in upper and lower locations.

Place wood backing at face of wall in contact with drywall. (See Fig #1)

- 2.1. For Wood framed walls only; Use minimum three 16- P nails at each end of each piece of wood backing (2x with fasteners staggered and evenly spaced) through studs.
- 2.2. For Metal framed walls only; Use minimum five #1 0 - 1 Y:z" coarse thread screws at each end of each piece of wood backing (2x with fasteners staggered and evenly spaced) through studs.
- 2.3. For wood frame walls, secure blind end of 2 x 6 wood backing by toe nailing 4 fasteners into each wood backing, 1 into top, 1 into bottom and 2 through front at 45" angle.

3. Verify drywall install is per Building Code, regarding fastener spacing and pattern.

AFTER DRYWALL IS INSTALLED OVER STUDS AND WOOD BACKING:

4. Locate the wood backing previously installed in the wall using a 'stud finder' or another preferred method (make appropriate markings on the wall to show locations of concealed backing).
5. Use template printed on bottom of platform box to mark the four template anchor lay-out points at centerline of 2 X 6 backing. (See Fig #2A)
6. Install four item 'A' mounting brackets at the locations identified in step 5 above using two lag bolts item 'E' and two washers item 'C' for each bracket. (See Fig #2B)
 - 6.1. Drill ¼" pilot hole for each lag bolt to avoid splitting 2 X 6 wood backing (8 locations).
 - 6.2. Install and hand-tighten item 'B' Hex screw through center of each bracket 'A'. (See Fig #3)
 - 6.3. Use two item 'E' Lag Bolts and item 'C' Washers to attach each mounting bracket 'A' to wood backing through drywall (See Fig #4A and #4B)
7. Affix 45" Brackets 'J' (4) to ends of both 3/8" threaded rods item 'Q'. (See Fig #5)
8. Affix one rod assembly to each of the upper two Hex screws item 'B' under nut and washer 'C' and 'D'.
9. Tighten all hardware securely (If vibrating equipment will be mounted, Loctite® or similar is recommended)
10. Refer to steps 6 thru 11 on page 5 (CONCRETE - Steps 6-11) to complete the platform installation.



Fig #1

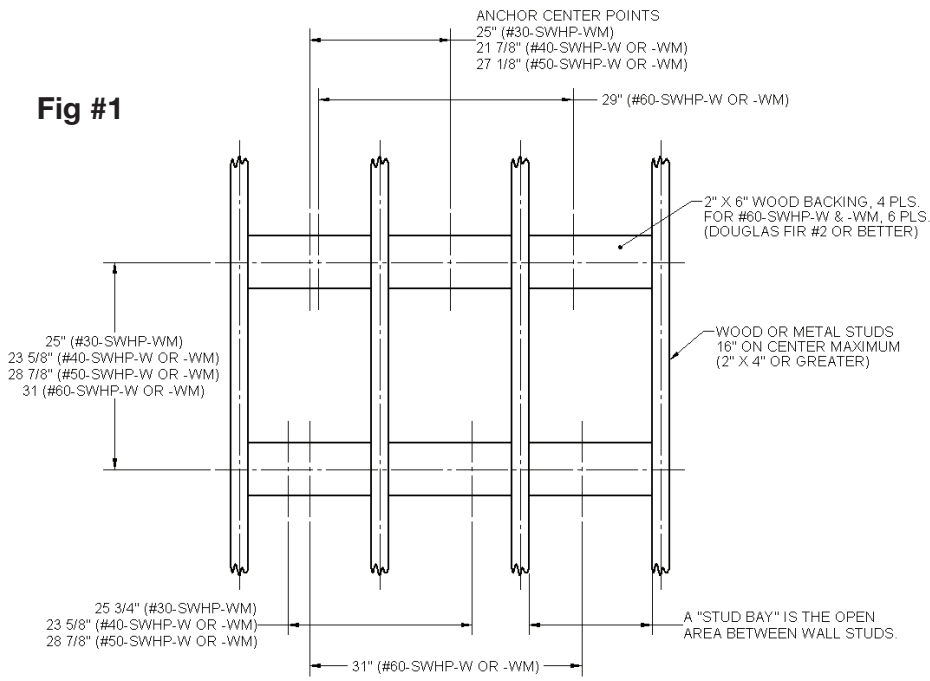


Fig #3

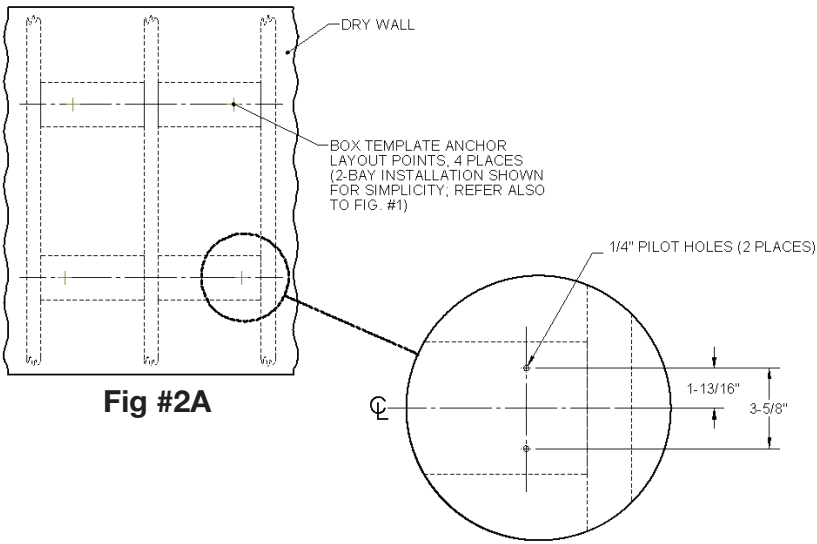
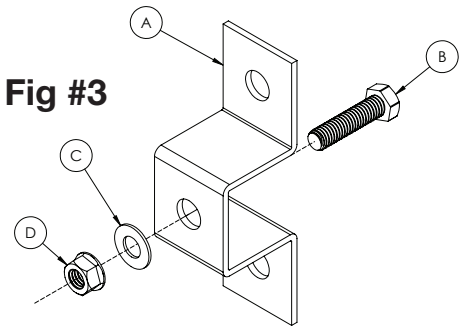
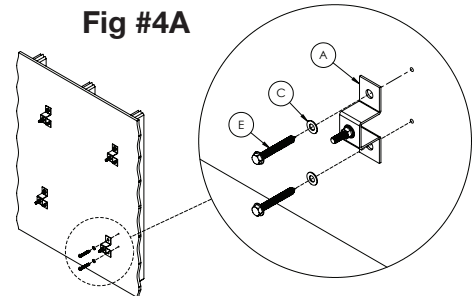


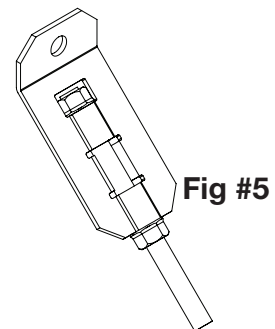
Fig #2A

**Fig #2B
(4 Places)**

Fig #4A



**Fig #4B
(4 Places)**





WALL MOUNT - (Wood/Metal Studs)

QUICK STAND™ Models: #30-SWHP-WM, #40-SWHP-W, #40-SWHP-WM, #50-SWHP-W, #50-SWHP-WM, #60-SWHP-W, 60-SWHP-WM, 60-SWHP-W-C

FINISH WALL MOUNT ONLY (Where No Backing is Installed)

1. Select desired location for wall mount platform (MUST BE 16" CENTER STUD SPACING MAXIMUM).
2. Use template printed on bottom of platform box to mark four attachments points on wall surface; verify that template is held level when making marks. (See Fig #6A)
3. Use box template lay-out marks (step 2 above) to draw upper and lower horizontal lines on wall surface. (See Fig #6A) 3.1. Lines must span completely across three studs (16" center stud spacing maximum).
4. Locate the center line of each wood or metal stud, mark intersection point with horizontal lines. Six center points must be located - two on each of three studs. (See Fig #6B)
 - 4.1. On either Wood or Metal Stud Framing drill ¼" pilot holes in 12 locations (2 for each of 6 item 'A' brackets). (See Fig #6A and #6B)
 - 4.2. On Metal Framed Walls Only- Using ¼" pilot holes as guides (from step 4.1 above), drill ¾" holes to accept Toggler® Bolts (item 'F1') in 12 locations. (See Fig #6B)
 - 4.3. On Metal Framed Walls Only- Install 12 Toggler® bolt items 'F1' in the ¾" holes. (See Fig #7A & #7B)
5. Pre-assemble three item 'P' brackets to each of two item 'G' Unistrut Channels (channels must be 36" minimum length) using hardware items 'C', 'D' and 'H'. (See Fig #SA and #8B)
 - 5.1. Build two Fig #8A assemblies (Only hand-tighten these hardware components at this point)
6. Mount both the upper and lower unistrut assemblies to the wall. (See Fig #9)
 - 6.1. For Wood Framed Walls Only- Use lag bolt item 'E' (12 ea.) and washer item 'C' (12 ea.)
 - 6.2. For Metal Framed Walls Only- Use Toggler® Bolt item 'F2' (12 ea.) and washer item 'C' (12 ea.)
7. Tighten all hardware securely (If vibrating equipment will be mounted, Loctite® or similar is recommended)
8. Locate the four equipment platform mounting locations and mark these onto the Unistrut® assemblies. (See Fig #10A for locations or use the box template)
9. Install the four Unistrut® channel studs, item 'H' in the locations located in step 8 above using items 'I', 'C' and 'D'. (See Fig #10B)
10. Affix 45° Brackets 'J' (4) to ends of both 3/8" threaded rods item 'Q'. (See Fig #11)
11. Affix one rod assembly to each of the upper two Strut Channel Studs item 'H' and Suspension Washer item 'I' under nut and washer 'C' & 'D'.
12. Refer to steps 6 thru 11 on page 5 (CONCRETE - Steps 6-11) to complete the platform installation.

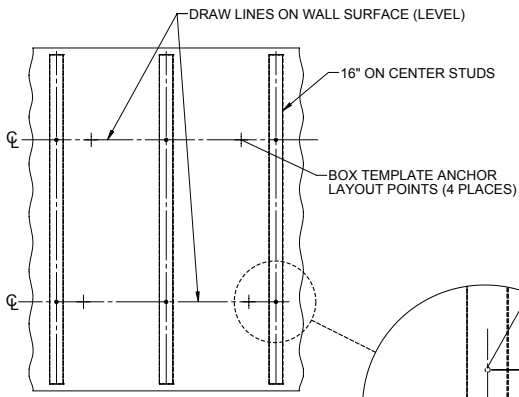
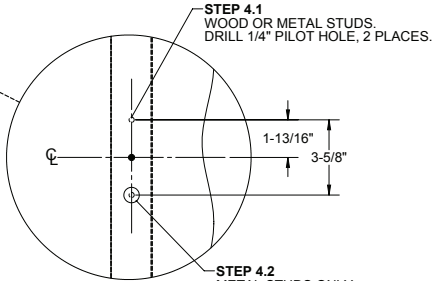


Fig #6A

Fig #6B



STEP 4.2
METAL STUDS ONLY.
DRILL 3/4" THROUGH DRYWALL
AND METAL STUDS, 2 PLACES.

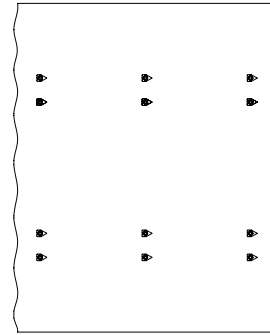


Fig #7A

NOTE:
INSTALL TOGGLER® BOLT
3/8"-16 PER MANUFACTURER'S
INSTRUCTIONS.

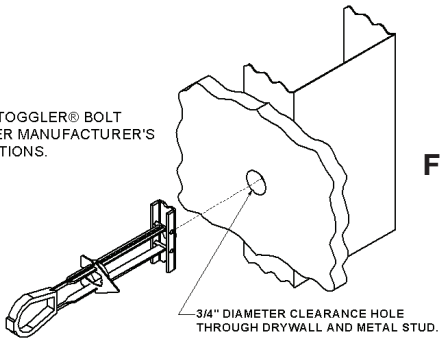


Fig #7B

NOTE:
MUST BE 1-7/8" MINIMUM CLEARANCE
BEHIND WALL FOR CHANNEL ROTATION.

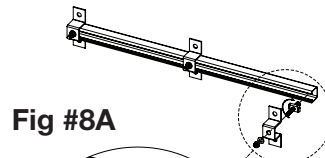


Fig #8A

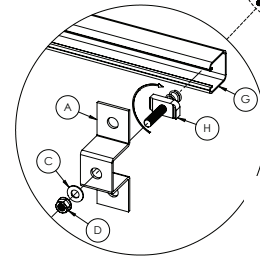


Fig #8B
(6 Places)

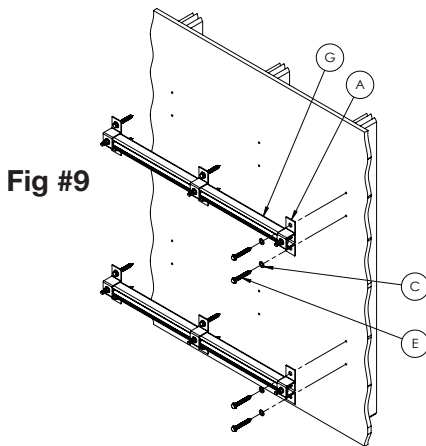


Fig #9

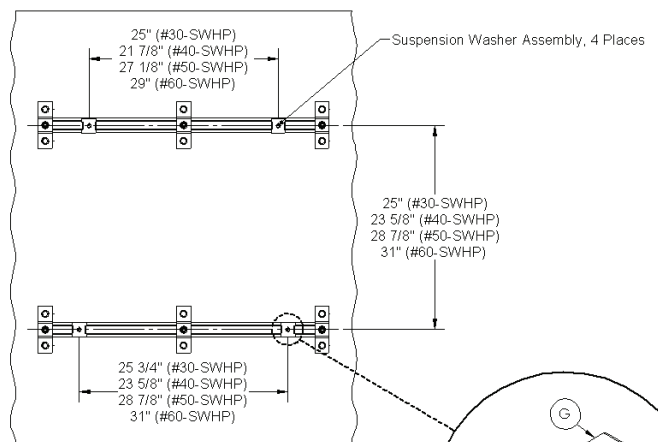


Fig #10A

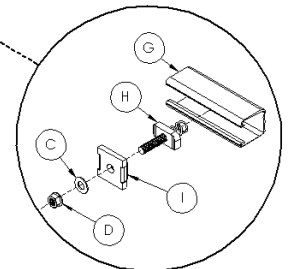


Fig #10B

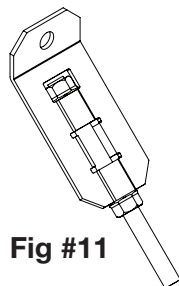


Fig #11

IMPORTANT:

Injury or property damage can result from misuse or incorrect installation of this Product.

QUICK STAND™ Suspended Equipment Platform

These Products were designed, manufactured and tested in consultation with a Professional Structural Engineer. Prior to installation of these Products, it is the responsibility of the Installer to ensure these installation methods are acceptable to local authorities (Inspectors) and the project Structural Engineer(s). Any deviation from the enclosed installation instructions, or any unauthorized substitution of materials, may compromise the performance and safety of the installation.

It is the responsibility of the Installer to seek appropriate professional advice before making any changes to the manufacturer's instructions.



(800) 321-0316 • www.HOLDRITE.com

© 2015 HOLDRITE® All Rights Reserved. Toggler® is a registered trademark of Mechanical Plastics Corp., Unistrut® is a registered trademark of Unistrut Corporation, and Loctite® is a registered trademark of Henkel Corporation. HOLDRITE® has no affiliation with these companies.