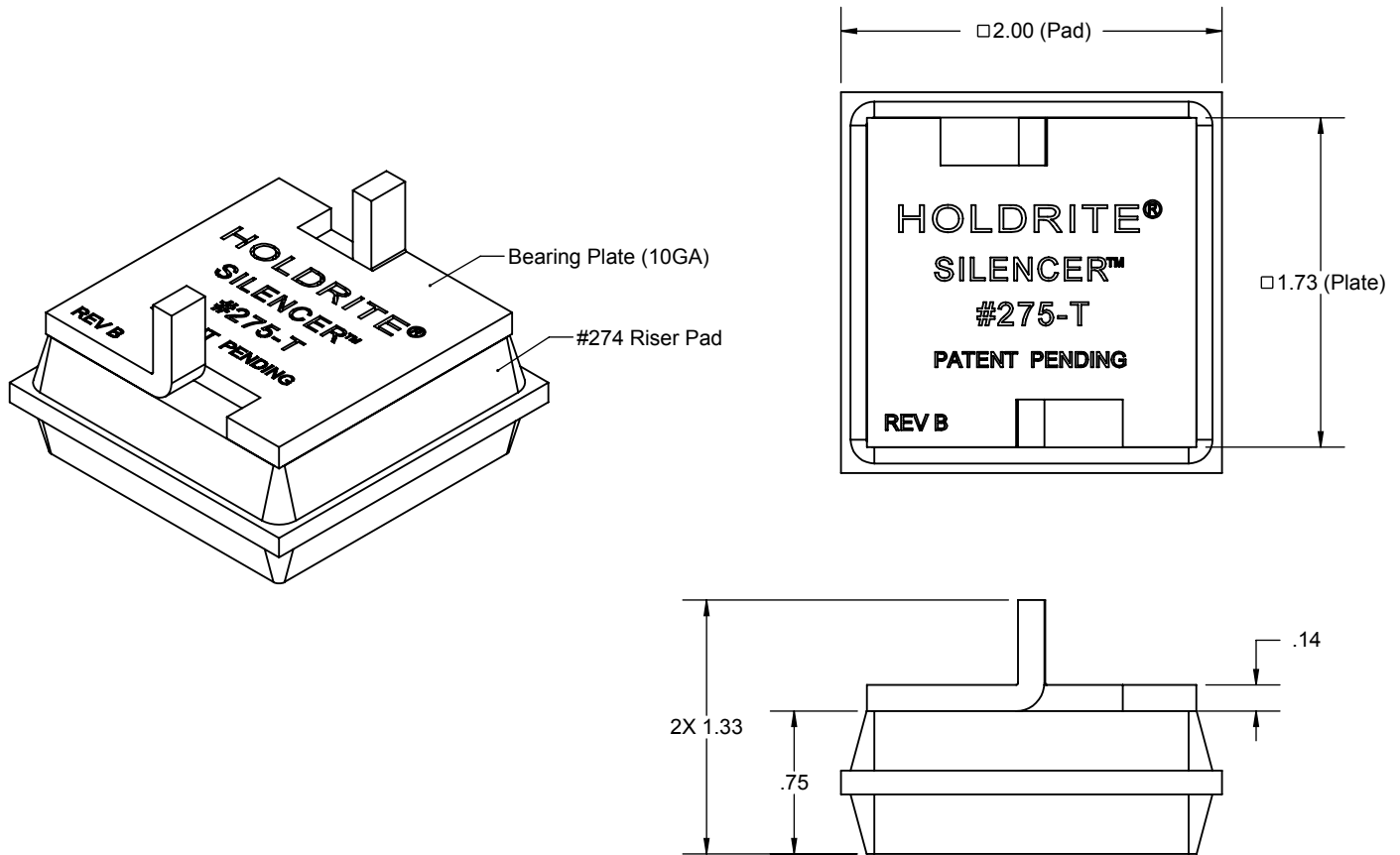


PRODUCT SPECIFICATION DRAWING

HOLDRITE® Silencer™ #275-T



The **HOLDRITE Silencer™ #275-T** is an engineered noise and vibration isolating riser pad with a steel bearing plate. Ideal for use in isolating riser clamps from noise and vibration transfer to the structure. Unique vertical tabs protect from incidental displacement.

Product Information:

- Material:
 Bearing Plate: 10 gage, Galvanized CRS
 Riser Pad: Neoprene, 50 Shore A, off-white
- Patent Pending
- Load Rating: 50 psi

THIS INFORMATION IS PROPRIETARY TO HOLDRITE AND IS SUBJECT TO CHANGE WITHOUT NOTICE. IT MAY NOT BE REPRODUCED IN PART OR WHOLE WITHOUT WRITTEN AUTHORIZATION.

HOLDRITE®

CONVERTING MAKESHIFT METHODS INTO ENGINEERED SOLUTIONSSM
 800-321-0316 OR 760-744-6944 / FAX: 760-744-0507 / WWW.HOLDRITE.COM
 spec_275-T_RevE

Product Submittal	
Job Name:	
Date:	
Part Number:	Qty:
Architect / Owner:	
Contractor:	
Notes:	