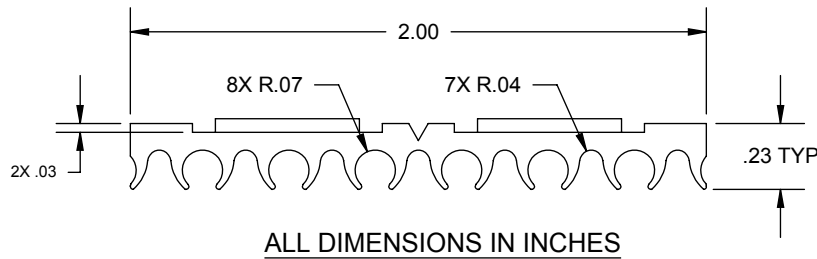
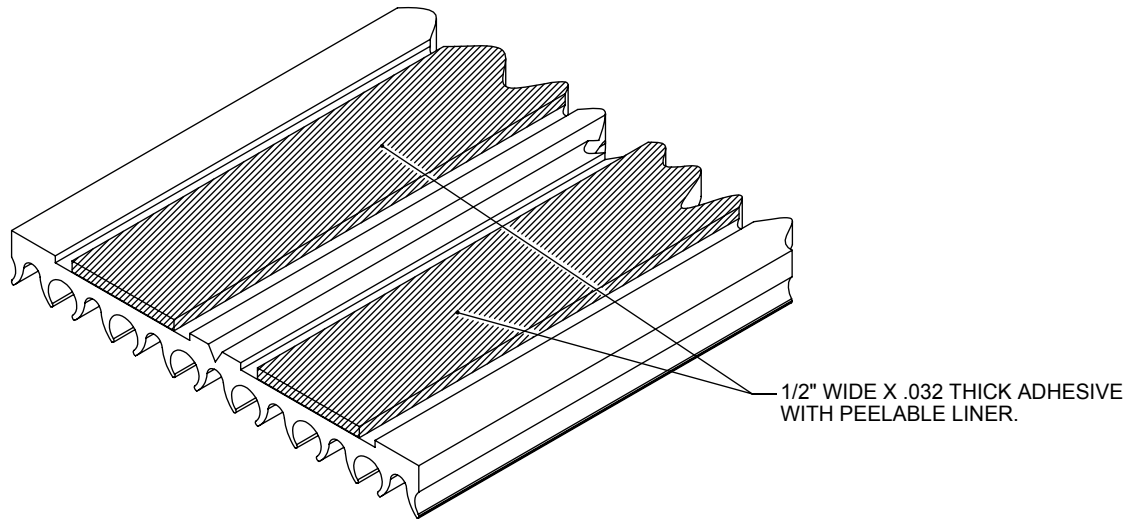


PRODUCT SPECIFICATION DRAWING

HOLDRITE® Silencer™ #271 Self-Adhesive Acoustical Insulation Liner



The HOLDRITE® Silencer™ #271 is an engineered sound isolation lining with many versatile applications for use in minimizing noise transfer with plumbing and piping systems. This 2" wide strip comes in 25' rolls and can easily be cut down the center at 1" width. The self-adhesive strips provide grip to piping or hangers. Excellent for use in isolating against sound or dissimilar metal contact in hangers or through framing components.

Product Information:

- Material: TPE, natural (off-white), 35 shore A
- Temperature range: -20°F to +180°F continuous services



THIS INFORMATION IS PROPRIETARY TO HOLDRITE AND IS SUBJECT TO CHANGE WITHOUT NOTICE. IT MAY NOT BE REPRODUCED IN PART OR WHOLE WITHOUT WRITTEN AUTHORIZATION.



CONVERTING MAKESHIFT METHODS INTO ENGINEERED SOLUTIONSSM
 800-321-0316 OR 760-744-6944 / FAX: 760-744-0507 / WWW.HOLDRITE.COM
 spec_271_RevF

Product Submittal	
Job Name:	
Date:	
Part Number:	Qty:
Architect / Owner:	
Contractor:	
Notes:	