



Product Submittal	
Name	
Date	
Architect/Owner	
Contractor	
Tag	
Notes	

## HOLDRITE® HydroFlame Firestop Cable and Line Set Sleeves Specification Sheet/Drawing



Buy American Act

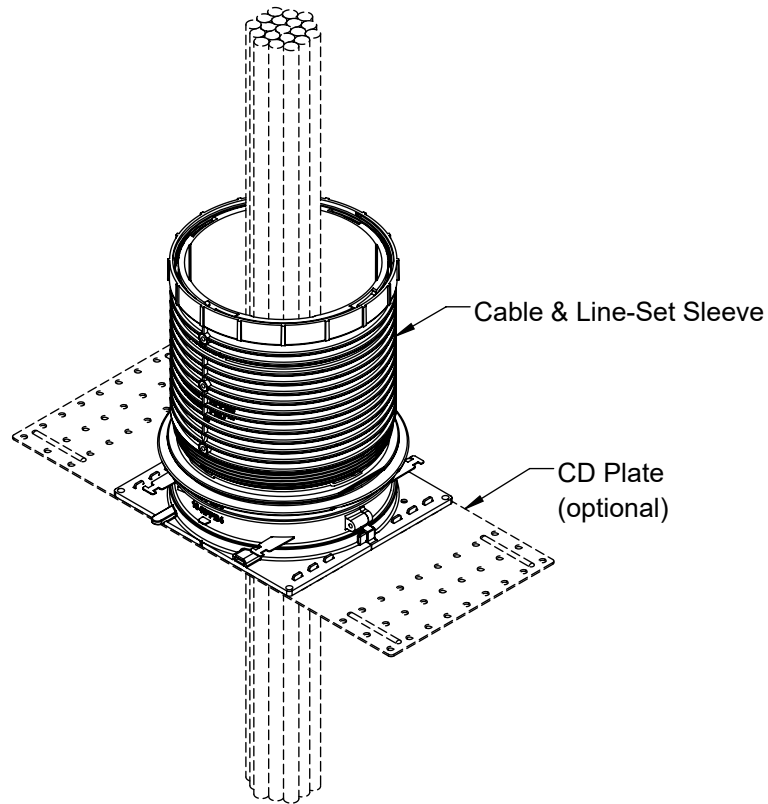


The HOLDRITE® Hydroflame Pro Series "Cable & Line-Set Sleeves" are UL Listed Firestop Devices that provide 3-hour fire ratings (as well as "T", "L" & "W" ratings, when installed per UL system drawings). Telescoping firestop sleeves (7-1/2" thru 11-3/4") and firestop sleeves (7-1/4" thru 8") with adjustable caps are available. The Sleeves are approved to accept up to 45% cable fill, refrigeration line-sets and multiple small pipes. Six sleeve sizes/varieties available. Optional "CD Plate" can be used for metal deck forms. Models include #HFP-CSM2, #HFP-CSM3, #HFP-CSM2B, #HFP-CSM3B, #HFP-LSP3 and #HFP-LSP3B.



### Product Information:

- Material:
  - Main Sleeve Body, Base & Safety Cap: Polypropylene.
  - Mid-Body Seal: Thermoplastic Rubber (TPR); Mold & Fungus resistant per ASTM G-21.
  - Locator Whiskers: Polypropylene.
  - Fire Ring: 24GA CRS.
  - Firestop Material: UL Listed Intumescent Composite.
- Patented & Patents Pending.
- See Hydroflame Pro Series Installation Instructions, Best Practices documents and the latest UL Fire Resistive Directory file (R25101) for details.



<b>Technical Data for HydroFlame Pro Firestop Device</b>	
<b>Product Test Criteria</b>	
UL Fire Tested & Listed to UL1479 (ASTM E814) & CAN/ULC S115	
UL Ratings (consult individual product specs & UL Systems):	
"L": Yes; "F": 3 Hrs. typical; "W": Yes (UL system may require caulk)	
<b>Intumescent Fire Wrap Physical Properties, Performance</b>	
Contains no solvents or carcinogenic fillers	
Color:	Gray/Black
Material shelf/store life:	Indefinite
Heat Expansion begins:	≈ 375°F (191°C)
Greatest Expansion:	575°F-1100°F (302°C - 593°C)
Constrained Expansion:	≥ 18 times volume
Free Expansion:	≥ 37 times volume
Expansion after accelerated weathering (tested to UL 1479):	
Temperature aging:	Pass - 270 days @ 158°F (70°C)
High humidity aging:	Pass - 180 days @ 97-100% humidity, 95°F (35°C)
Application Temperature:	Minimum 15°F (-9°C) / maximum 130°F (54°C)
Temperature Resistance:	Maximum 212°F (100°C)
Surface Burning Indicates (Per ASTM E84/UL 723):	
Flame spread:	5
Smoke developed:	5