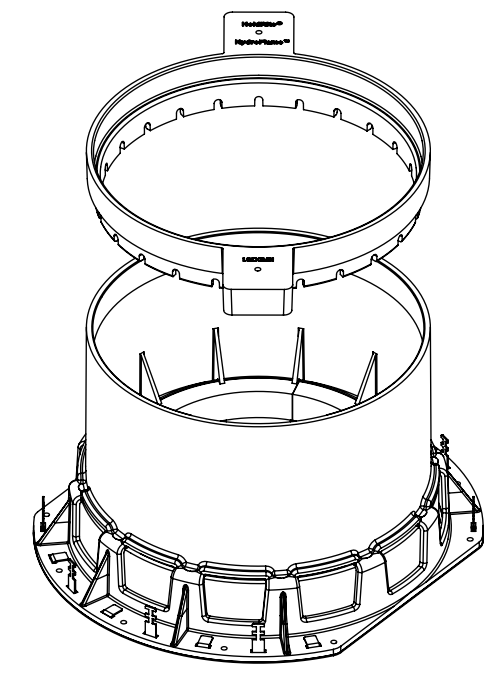
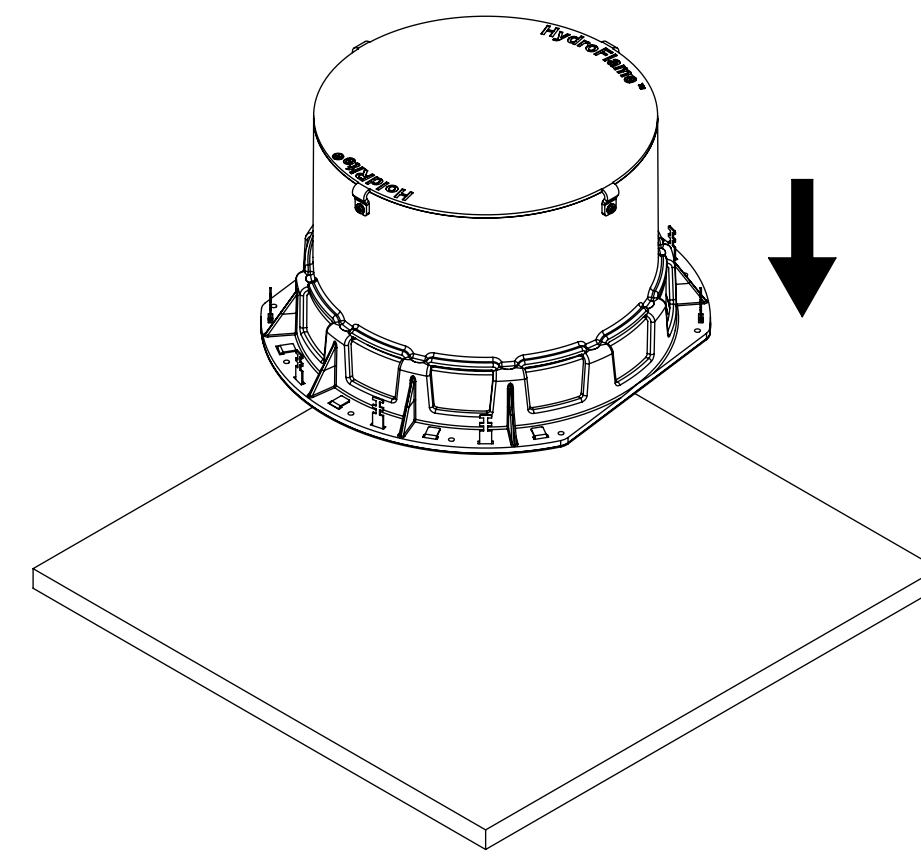


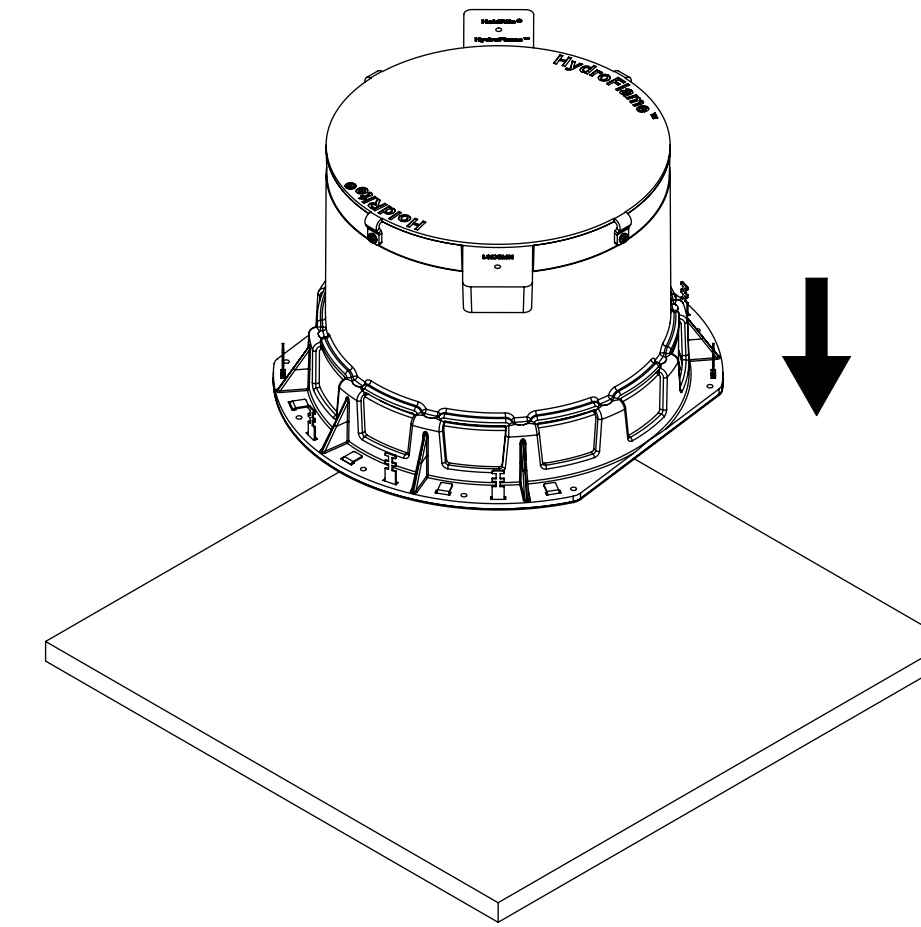
LESS THAN OR EQUAL TO 8" SLAB



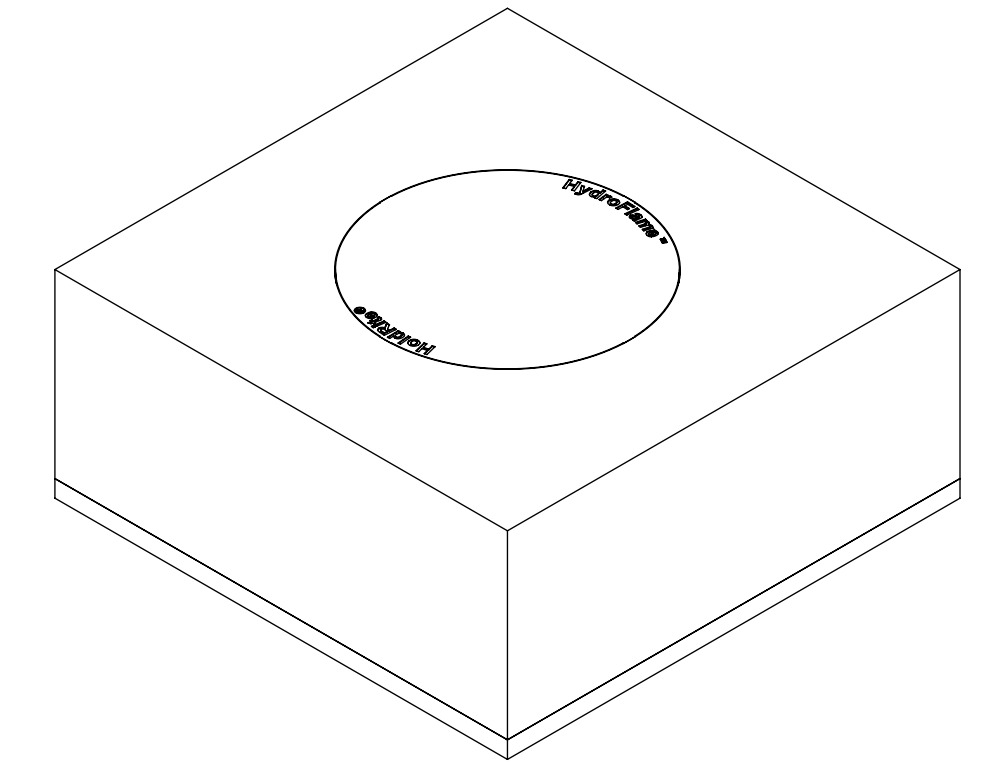
GREATER THAN 8" SLAB



LESS THAN OR EQUAL TO 8" SLAB



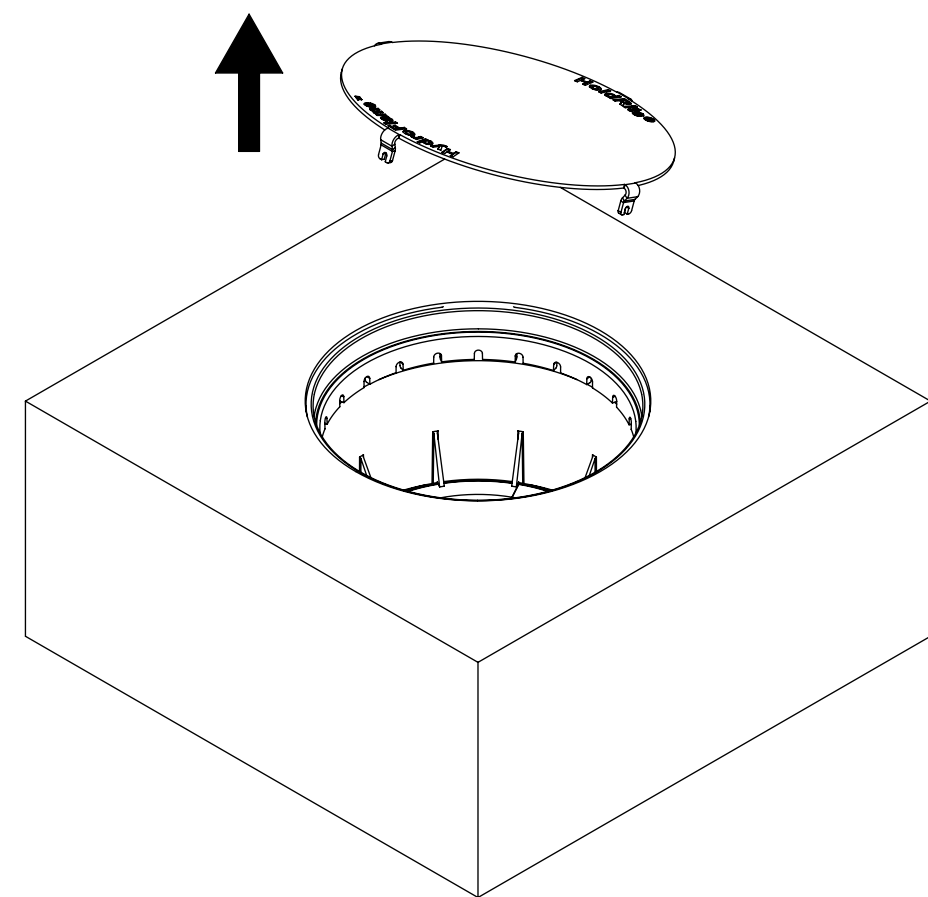
GREATER THAN 8" SLAB



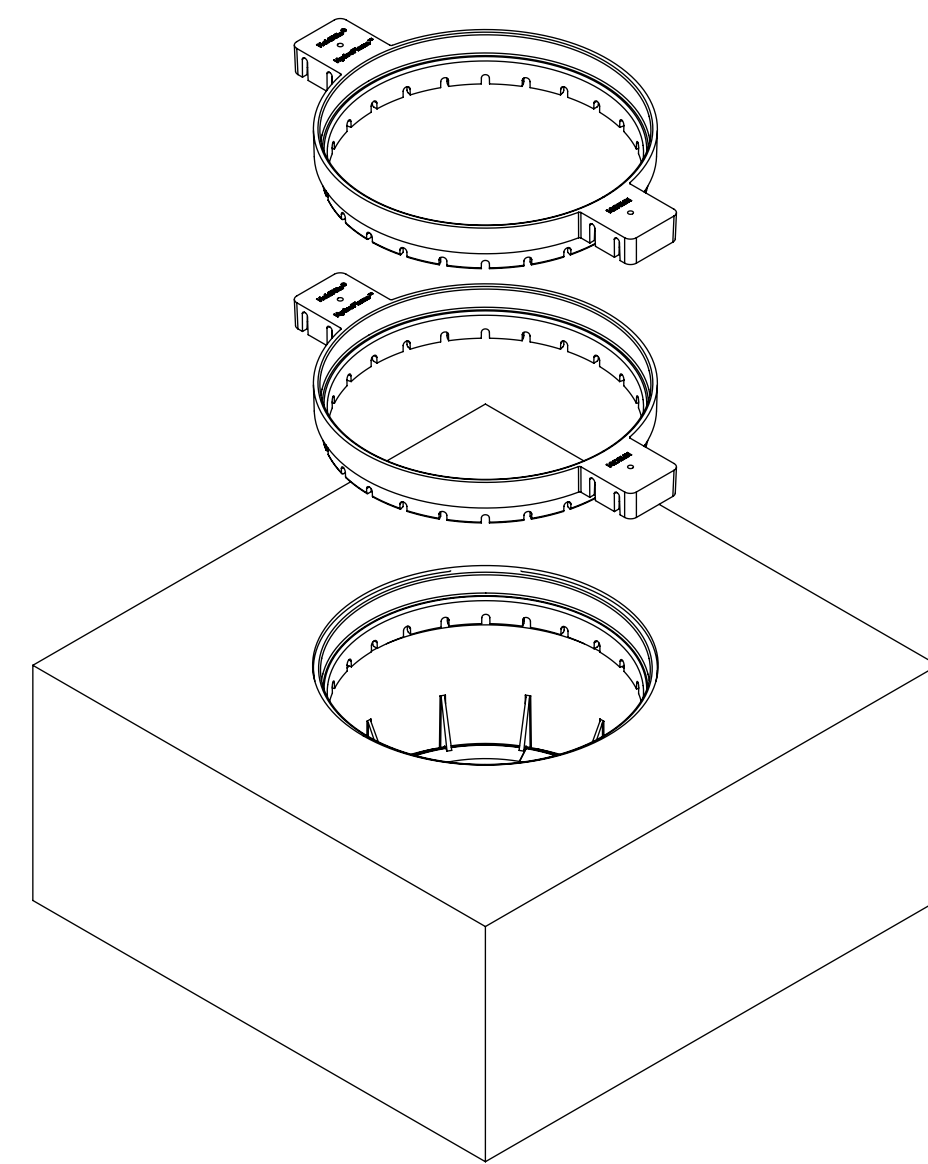
STEP #3
(POUR CONCRETE)

STEP #1
(REMOVE END CAP AND CUT TO DESIRED HEIGHT IF LESS THAN 8 INCHES OR INSTALL EXTENSIONS AS REQUIRED FOR SLAB HEIGHT. APPLY PVC SOLVENT CEMENT TO EXTENSIONS AND BASE)

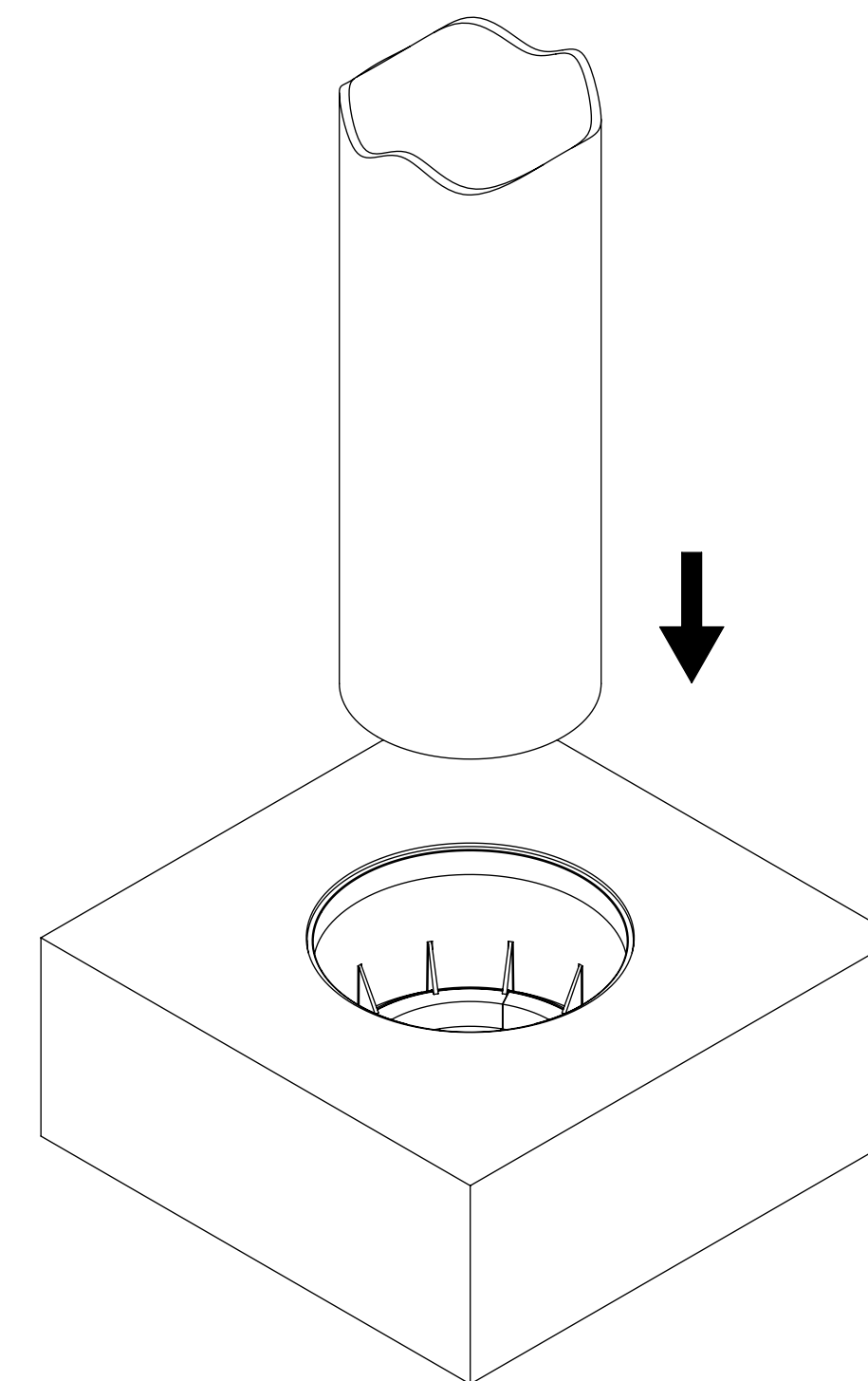
STEP #2
(REINSTALL CAP WITH SCREWS AND SECURE TO FORM DECK)



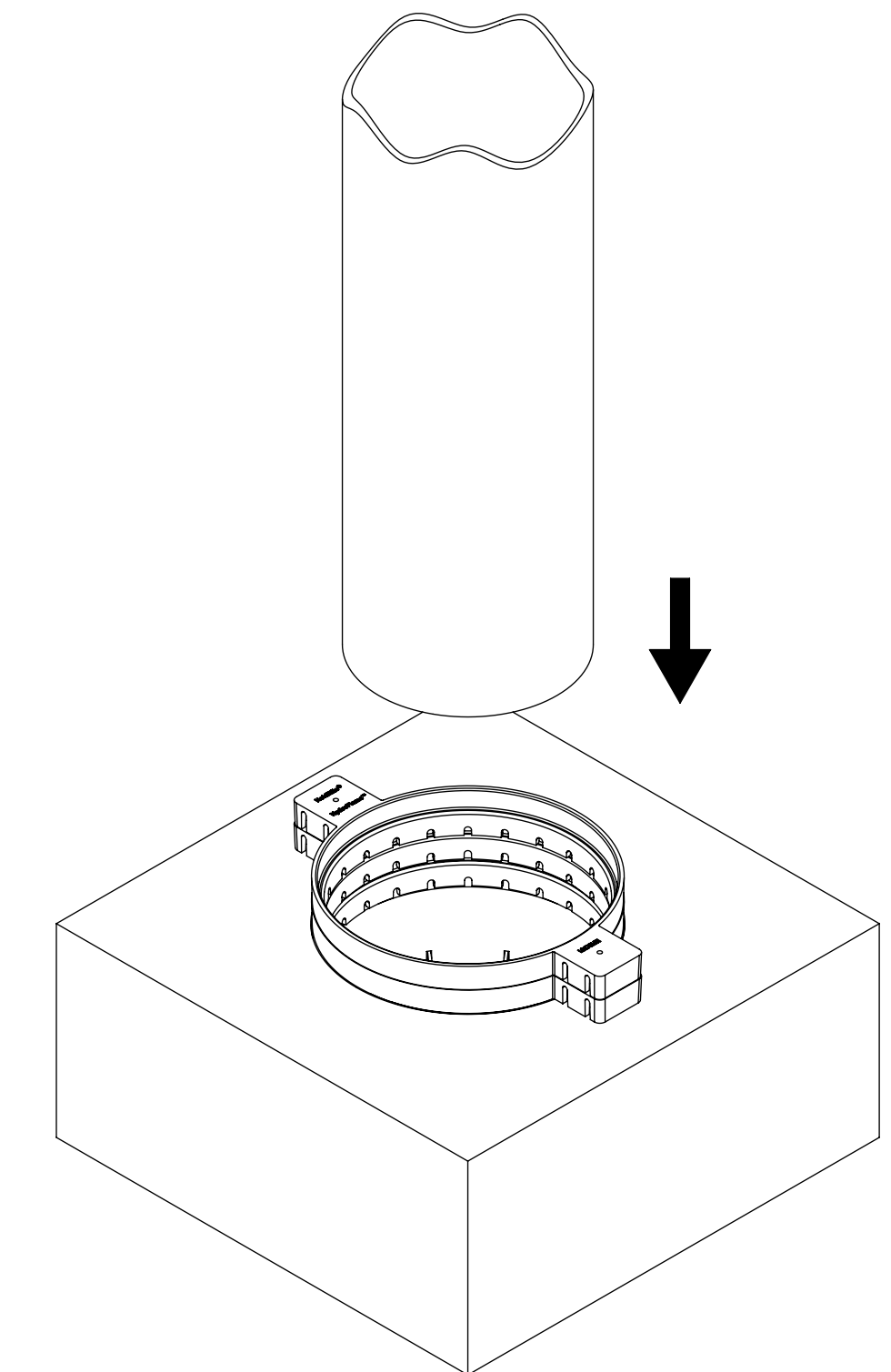
STEP #4
(REMOVE SAFETY CAP)



STEP #5: FOR WATER DAM (IF REQUIRED)
(INSTALL EXTENSIONS. APPLY PVC SOLVENT CEMENT TO SECURE EXTENSIONS TO EACH OTHER AND TO BASE)



SHOWN WITHOUT WATER DAM



SHOWN WITH WATER DAM

STEP #6
(INSTALL PENETRANT FROM THE TOP)