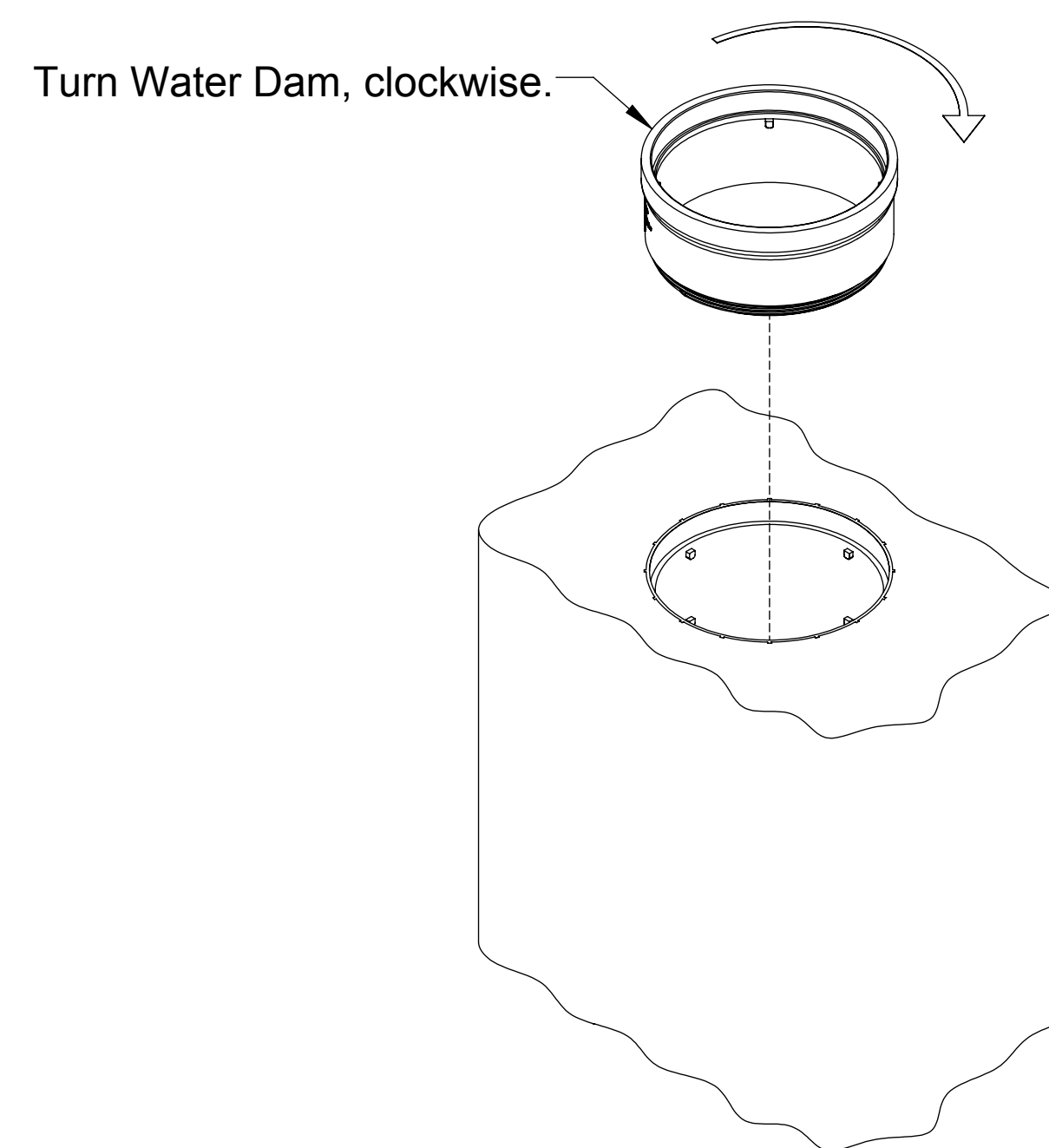
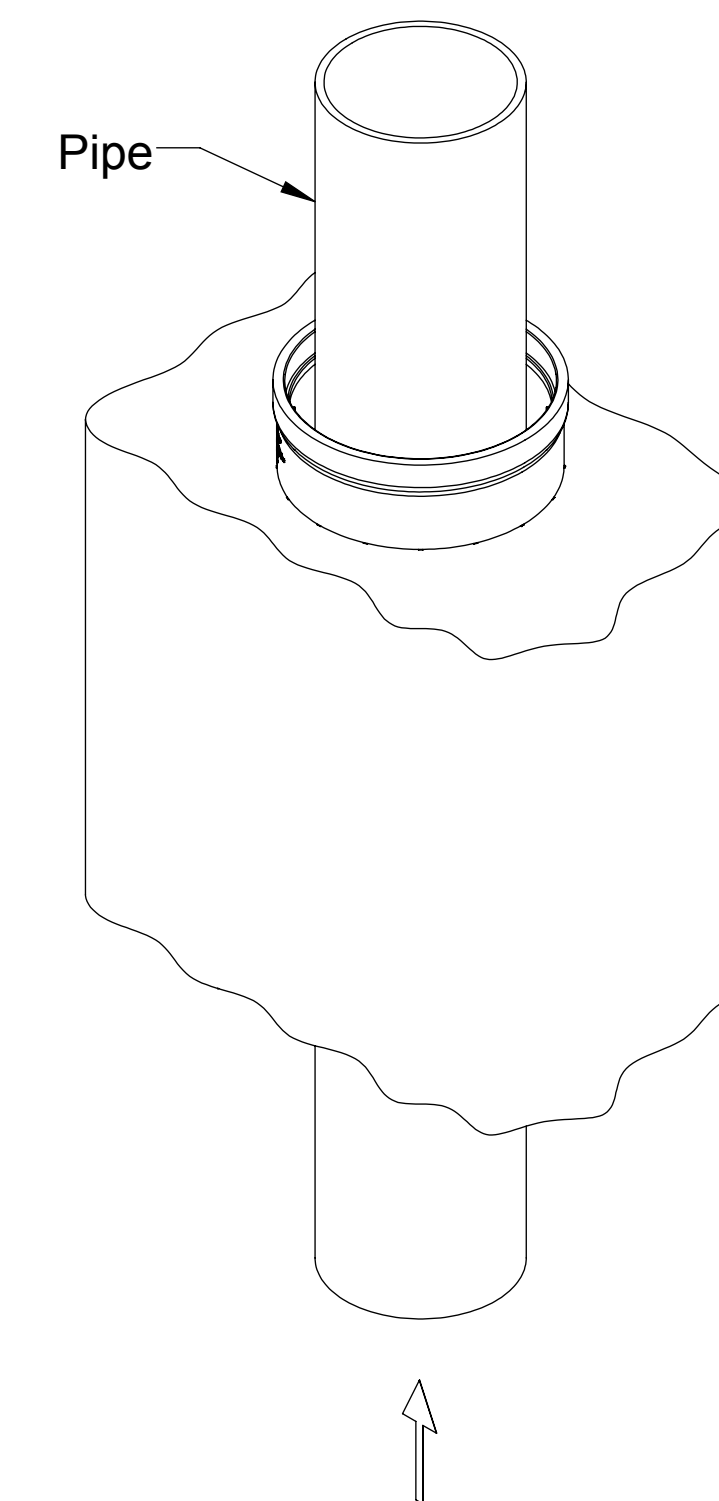


**REMOVE CAP WITH HF WRENCH,  
OR BREAK-OUT WITH HAMMER.  
(SLEEVE SHOWN POURED IN CONCRETE)  
(Fig. 1)**



**INSTALL 2" TALL WATER DAM.  
(ADD THREAD SEALANT IF DESIRED)  
(Fig. 2)**



**INSTALL PIPE FROM BELOW.  
(SOAPY WATER EASES PIPE INSERTION)  
(Fig. 3)**