



Product Submittal	
Name	
Date	
Architect/Owner	
Contractor	
Tag	
Notes	

HOLDRITE® HydroFlame Water Dam Specification Sheet/Drawing

The HOLDRITE® Hydroflame Pro Series "Water Dam" attaches to the top of the Pro Series cast-in-place firestop sleeves and adds a 2" tall water dam barrier at the perimeter of the sleeve opening. Sizes are available to fit all Pro Series Sleeves, for all sizes of penetrants 1/2" thru 6" nominal size. See Riser Clamp load rating chart below. Thread sealant may be added to male threads prior to installation, if desired. UL-Listed accessory when used with HoldRite's Hydroflame Pro Series Sleeves.

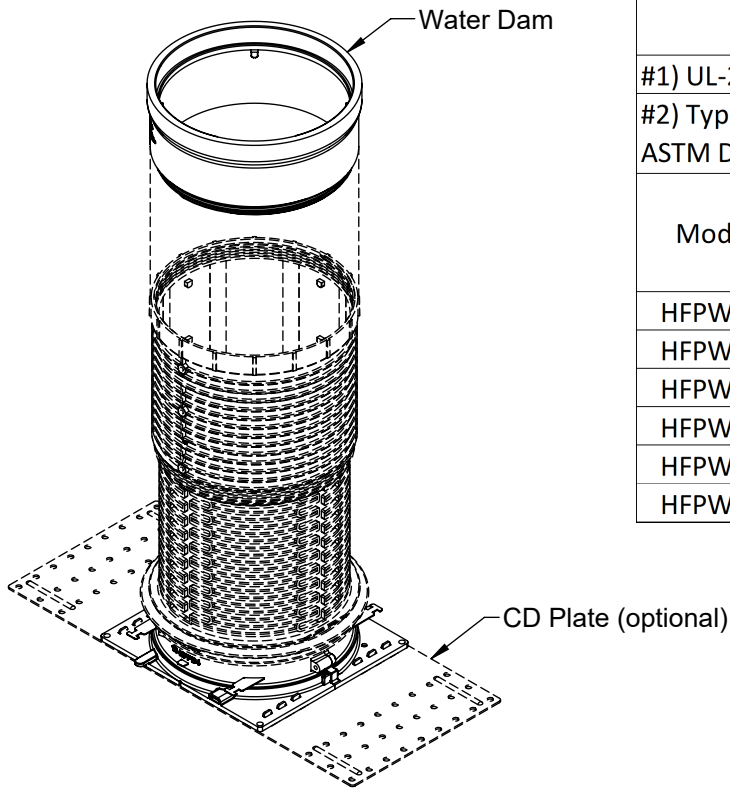


Buy American Act



Product Information:

- Material:
Body: PVC, Black.
- Patent Pending
- HydroFlame Pro Sleeve tested in accordance to ASTM E90. Please see appropriate testing reports for further STC information.
- See Hydroflame Pro Series Installation Instructions, Best Practices documents and the latest UL Fire Resistive Directory file (R25101) for details.
- "FBC™ System Compatible indicates that this product has been tested, and is monitored on an ongoing basis, to assure its chemical compatibility with FlowGuard Gold®, BlazeMaster® and Corzon® piping systems and products made with TempRite® Technology." The FBC™ System Compatible Logo, FBC™, FlowGuard®, BlazeMaster®, Corzan®, and TempRite® are trademarks of Lubrizol Advanced Materials, Inc. or its affiliates."



Water Dam may be used to support Riser Clamps. Rated with reference to:		
#1) UL-203		
#2) Typical standard riser clamps; MSS-SP-58, Type 8; and ASTM D695 for rigid PVC, Type B		
Model	Max Load (lb), per reference above	
	#1 (short term)	#2 (@ 2xSF) (long term)
HFPWD1	850	275
HFPWD2	1000	450
HFPWD3	1250	650
HFPWD4	1800	950
HFPWD5	2400	1100
HFPWD6	2800	1200

Size	Dim "A"	Dim "B"
#1	Ø2.771	Ø2.312
#2	Ø4.018	Ø3.497
#3	Ø5.132	Ø4.552
#4	Ø6.154	Ø5.487
#5	Ø7.840	Ø7.140
#6	Ø8.780	Ø8.027

