



Product Submittal	
Name	
Date	
Architect/Owner	
Contractor	
Tag	
Notes	

HOLDRITE® HydroFlame Shower Drain Specification Sheet/Drawing

The HOLDRITE® Hydroflame Pro Series "Shower Drain Sleeve" (#HFP-SH2-DRN) is ideal for 2 drain bodies that are recessed into the concrete floor, such as with a shower pan or shower stall. This is a UL Listed Firestop Device that includes a water-tight mid-body seal and built-in firestop materials. The Sleeve is adjustable in height for slabs 5" and thicker and provides a 3-hour F-rating. Optional "CD Plate" can be used when mounting to metal pan deck forms. Upper assembly includes a styrofoam insert pad, to block concrete during pour.

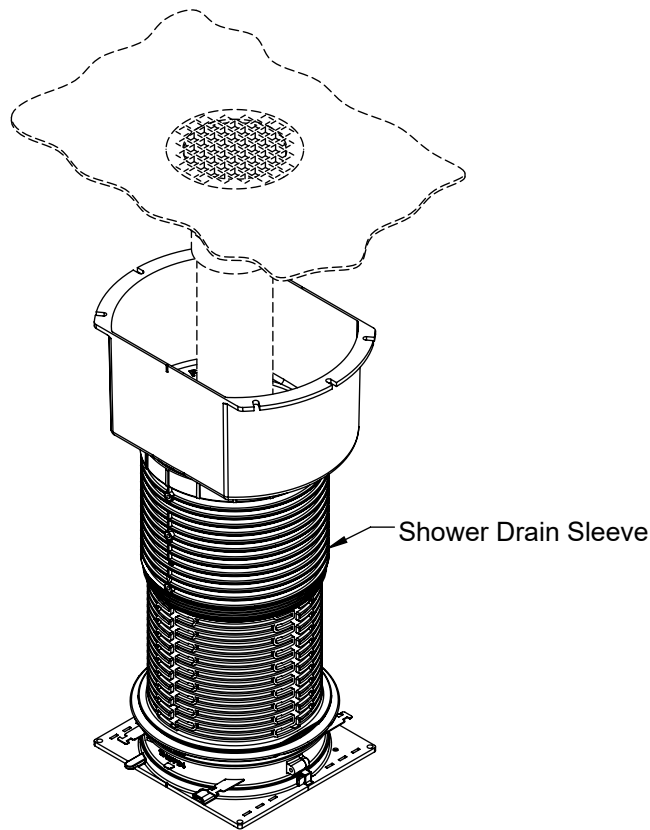


Buy American Act



Product Information:

- Material:
 - Main Sleeve Body, Base & Drain Receiver: Polypropylene
 - Mid-Body Seal: Thermoplastic Rubber (TPR); Mold & Fungus resistant per ASTM G-21.
 - Firestop Material: UL Listed Intumescent Composite
 - Insert: Expanded Polystyrene or similar
- Patented & Patents Pending
- HydroFlame Pro Sleeve tested in accordance to ASTM E90. Please see appropriate testing reports for further STC information.
- See Hydroflame Pro Series Installation Instructions, Best Practices documents and the latest UL Fire Resistive Directory file (R25101) for details.



Technical Data for HydroFlame Pro Firestop Device	
Product Test Criteria	
UL Fire Tested & Listed to UL 1479 (ASTM E814) & CAN/ULC S115	
UL Ratings (consult individual product specs & UL Systems):	
"L": Yes; "F": 3 Hrs. typical; "W": Yes (UL system may require caulk)	
Intumescent Fire Wrap Physical Properties, Performance	
Contains no solvents or carcinogenic fillers	
Color:	Gray/Black
Material shelf/store life:	Indefinite
Heat Expansion begins:	≈ 375°F (191°C)
Greatest Expansion:	575°F-1100°F (302°C - 593°C)
Constrained Expansion:	≥ 18 times volume
Free Expansion:	≥ 37 times volume
Expansion after accelerated weathering (tested to UL 1479):	
Temperature aging:	Pass - 270 days @ 158°F (70°C)
High humidity aging:	Pass - 180 days @ 97-100% humidity, 95°F (35°C)
Application Temperature:	Minimum 15°F (-9°C) / maximum 130°F (54°C)
Temperature Resistance:	Maximum 212°F (100°C)
Surface Burning Indicates (Per ASTM E84/UL 723):	
Flame spread:	5
Smoke developed:	5