

XHEZ.F-A-2183 - THROUGH-PENETRATION FIRESTOP SYSTEMS

Design/System/Construction/Assembly Usage Disclaimer

- Authorities Having Jurisdiction should be consulted in all cases as to the particular requirements covering the installation and use of UL Certified products, equipment, system, devices, and materials.
- Authorities Having Jurisdiction should be consulted before construction.
- Fire resistance assemblies and products are developed by the design submitter and have been investigated by UL for compliance with applicable requirements. The published information cannot always address every construction nuance encountered in the field.
- When field issues arise, it is recommended the first contact for assistance be the technical service staff provided by the product manufacturer noted for the design. Users of fire resistance assemblies are advised to consult the general Guide Information for each product category and each group of assemblies. The Guide Information includes specifics concerning alternate materials and alternate methods of construction.
- Only products which bear UL's Mark are considered Certified.

XHEZ - Through-penetration Firestop Systems

XHEZ7 - Through-penetration Firestop Systems Certified for Canada

See General Information for Through-penetration Firestop Systems

See General Information for Through-penetration Firestop Systems Certified for Canada

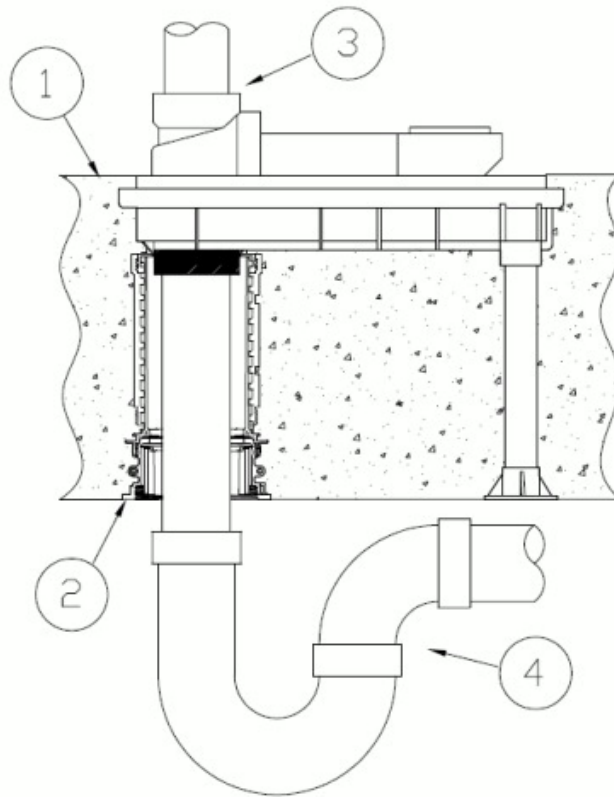
System No. F-A-2183

April 10, 2019

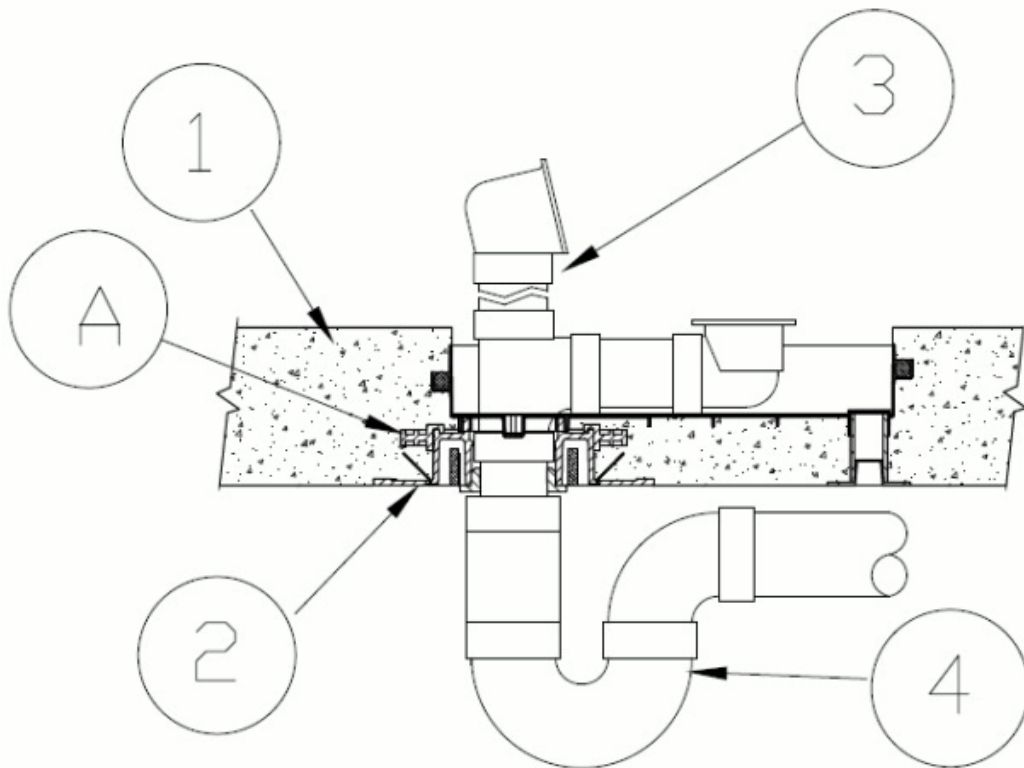
ANSI/UL1479 (ASTM E814)

CAN/ULC S115

F Ratings — 2 or 3 Hr (See Item 2)	F Ratings — 2 or 3 Hr (See Item 2)
T Rating — 3/4 Hr	FT Ratings — 3/4 & 2 Hr (See Item 2)
L Rating At Ambient — Less Than 1 CFM/sq ft	FH Ratings — 2 or 3 Hr (See Item 2)
L Rating At 400 F — Less Than 1 CFM/sq ft	FTH Ratings — 3/4 & 2 Hr (See Item 2)
W Rating — Class 1 (See Item 2)	L Rating At Ambient — Less Than 5.1 L/s/m ²
	L Rating At 204°C — Less Than 5.1 L/s/m ²



Configuration A



Configuration B

System tested with a pressure differential of 2.5 Pa between the exposed and the unexposed surfaces with the higher pressure on the exposed side.

1. **Floor Assembly** — Min 4-1/2 in. (114 mm) thick reinforced lightweight or normal weight (100-150 pcf or 1600-2400 kg/m³) concrete.

2. **Firestop Device* — Tub Box** — Nom 12-1/2 in. (318 mm) long by 2 in. (51 mm) deep nonmetallic tub box with adjustable legs and intumescent coupling. Cast in place firestop device attached to form and permanently embedded during concrete placement or grouted in concrete assembly in accordance with accompanying installation instructions. For Config A HFP devices optional accessories (not shown) includes sleeve extension and or Tub Box Extension installed in accordance with installation instructions. For Config B TB devices optional accessories includes Midbody seal and/or (Not Shown) Tub Box Extension installed in accordance with installation instructions. Min concrete thickness of 2 in. (51 mm) shall be maintained below tub box.

HOLDRITE — HydroFlame (Config A) HFPTB-NP-0200 HFPTB-TW-0200 or (Config B) TB-NP0200, TB-TW-0200

Note: System is limited to 2 hours when TB-NP-0200, TB-TW-0200 is used. T Rating is 2 hr when HFP devices are used. W-Rating is applicable when (Config A) HFP devices are installed is used or (Config B) when the optional Midbody seal (call out A) is installed on the TB devices.

3. **Waste/Overflow Fitting** — Nom 1-1/2 in. (38 mm) diam Schedule 40 polyvinyl chloride (PVC) or Schedule 40 ABS waste/overflow fitting and drain pipe cemented together and inserted through base of tub box. Conf A, Drain pipe of waste/overflow fitting secured in top (optional) of tub box base using drain seal bushing supplied with firestop device or waste/overflow fitting inserted through tub box and base. Conf B, Drain pipe of waste/overflow fitting secured in top or bottom of tub box base using drain seal bushing supplied with firestop device.

3A. **Alternate Waste/Overflow Fitting** — (Not Shown) — Nom 1-1/2 in. (38 mm) diam thin-wall PVC waste/overflow fitting and drain tube inserted in and secured to top of tub box base using drain seal bushing supplied with firestop device.

4. **Drain Piping** — Nom 1-1/2 in. (38 mm) or 2 in. (51 mm) diam Schedule 40 PVC, Schedule 40 ABS, cast iron or copper drain piping with the appropriate fittings/bushings for connection to the waste/overflow fitting. When alternate thin-wall PVC waste/overflow fitting (Item 3A) is used in Conf B, nom 2 in. (51 mm) diam PVC pipe cemented into bottom of tub box base for connection to P-trap. Drain piping rigidly supported away from tub box with suitable hangers.

*** Indicates such products shall bear the UL or cUL Certification Mark for jurisdictions employing the UL or cUL Certification (such as Canada), respectively.**

Last Updated on 2019-04-10

The appearance of a company's name or product in this database does not in itself assure that products so identified have been manufactured under UL's Follow-Up Service. Only those products bearing the UL Mark should be considered to be Certified and covered under UL's Follow-Up Service. Always look for the Mark on the product.

UL permits the reproduction of the material contained in the Online Certification Directory subject to the following conditions: 1. The Guide Information, Assemblies, Constructions, Designs, Systems, and/or Certifications (files) must be presented in their entirety and in a non-misleading manner, without any manipulation of the data (or drawings). 2. The statement "Reprinted from the Online Certifications Directory with permission from UL" must appear adjacent to the extracted material. In addition, the reprinted material must include a copyright notice in the following format: "© 2019 UL LLC"