

XHEZ.F-C-2484 - THROUGH-PENETRATION FIRESTOP SYSTEMS

Design/System/Construction/Assembly Usage Disclaimer

- Authorities Having Jurisdiction should be consulted in all cases as to the particular requirements covering the installation and use of UL Certified products, equipment, system, devices, and materials.
- Authorities Having Jurisdiction should be consulted before construction.
- Fire resistance assemblies and products are developed by the design submitter and have been investigated by UL for compliance with applicable requirements. The published information cannot always address every construction nuance encountered in the field.
- When field issues arise, it is recommended the first contact for assistance be the technical service staff provided by the product manufacturer noted for the design. Users of fire resistance assemblies are advised to consult the general Guide Information for each product category and each group of assemblies. The Guide Information includes specifics concerning alternate materials and alternate methods of construction.
- Only products which bear UL's Mark are considered Certified.

XHEZ - Through-penetration Firestop Systems

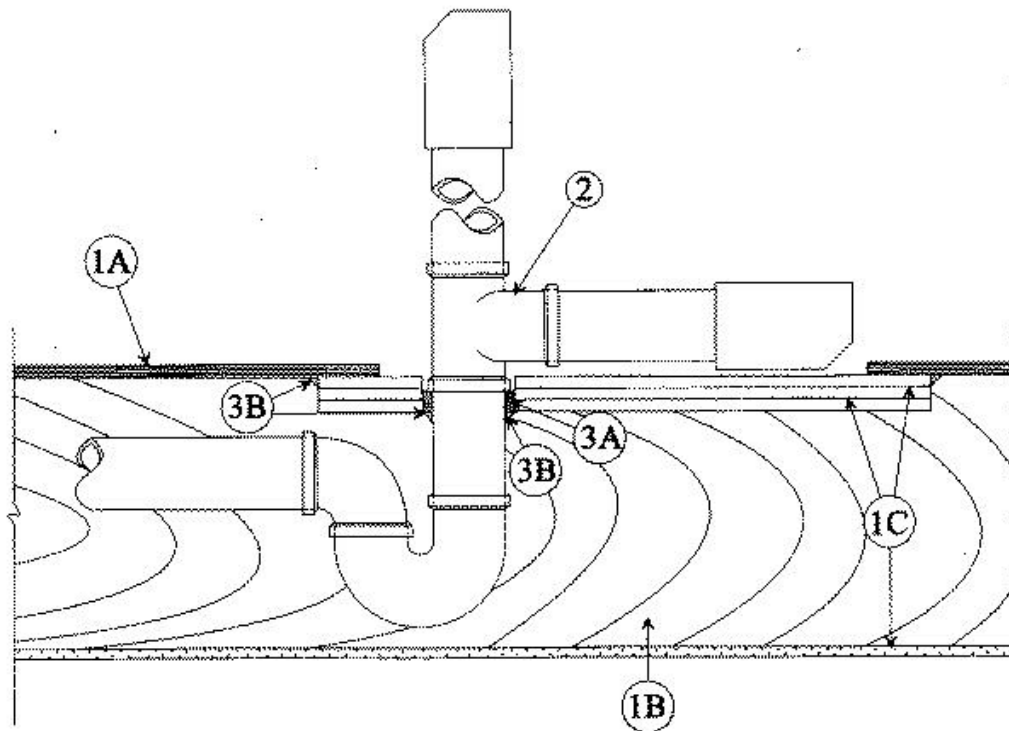
See General Information for Through-penetration Firestop Systems

System No. F-C-2484

May 15, 2019

F Rating — 1 Hr

T Rating — 1 Hr



1. **Floor-Ceiling Assembly** — The fire-rated solid or trussed lumber joist floor-ceiling assembly shall be constructed of the materials and in the manner specified in individual L500 Series Floor-Ceiling Designs in the UL Fire Resistance Directory. The general construction details of the floor-ceiling assembly are summarized below:

A. **Flooring System** — Lumber or plywood subfloor with finish floor of lumber, plywood or **Floor Topping Mixture*** as specified in the individual Floor-Ceiling Design. Rectangular cutout in flooring to accommodate the bathtub drain piping (Item 2) to be max 8 by 12 in. (203 by 305 mm).

B. **Wood Joists** — Nom 2 by 10 in. (51 by 254 mm) lumber joists spaced 16 in. (406 mm) OC with nom 1 by 3 in. (25 by 76 mm) lumber bridging and with ends firestopped.

C. **Gypsum Board*** — Nom 4 ft (1.2 m) wide by 5/8 in. (16 mm) thick as specified in the individual Floor-Ceiling Design. Wallboard secured to joists as specified in the individual Floor-Ceiling Design. Three pieces of gypsum wallboard, each min 4 in. (102 mm) longer and wider than the cutout in the flooring, screw attached to bottom of flooring concentric with cutout. In addition, min 1/2 in. (13 mm) diam by 2 in. (51 mm) high wavy bead of HydroFlame 200 to be applied to the top perimeter of each piece of wallboard prior to its installation. Diam of opening hole-sawed through both layers of the gypsum wallboard patch to be 1/2 in. (13 mm) larger than outside diam of bathtub drain piping (Item 2).

2. **Drain Piping** — Nom 2 in. (51 mm) diam (or smaller) Schedule 40 cellular or solid core PVC, ABS or SDR17 CPVC pipe and drain fittings cemented together and provided with PVC, ABS or CPVC bathtub waste/overflow fitting.

3. **Firestop System** — The firestop system shall consist of the following:

A. **Fill, Void or Cavity Material* — Wrap Strip** — Nom 1/4 in. (6 mm) thick by 1 in. (25 mm) wide intumescent wrap strip. One wrap strip is continuously wrapped around the outer circumference of the drain pipe within joist cavity and held in place with pieces of aluminum tape. Wrap strip slid into annular space of cut-out in gypsum wallboard such that the bottom surface of the wrap strip is flush with the bottom surface of the gypsum wallboard.

RELIANCE WORLDWIDE CORPORATION DBA HOLDRITE HYDROFLAME — HydroFlame Wrap Strip

B. **Fill, Void or Cavity Material* — Caulk** — Min 1/2 in. (13 mm) diam bead of HydroFlame 200 to be applied around the perimeter of the gypsum wallboard at its interface with the wood floor. Additional 1/2 in. (13 mm) diam bead to be applied to the bottom of the wrap strip at its interface with the drain pipe.

RELIANCE WORLDWIDE CORPORATION DBA HOLDRITE HYDROFLAME — HydroFlame 200

*** Indicates such products shall bear the UL or cUL Certification Mark for jurisdictions employing the UL or cUL Certification (such as Canada), respectively.**

Last Updated on 2019-05-15

The appearance of a company's name or product in this database does not in itself assure that products so identified have been manufactured under UL's Follow-Up Service. Only those products bearing the UL Mark should be considered to be Certified and covered under UL's Follow-Up Service. Always look for the Mark on the product.

UL permits the reproduction of the material contained in the Online Certification Directory subject to the following conditions: 1. The Guide Information, Assemblies, Constructions, Designs, Systems, and/or Certifications (files) must be presented in their entirety and in a non-misleading manner, without any manipulation of the data (or drawings). 2. The statement "Reprinted from the Online Certifications Directory with permission from UL" must appear adjacent to the extracted material. In addition, the reprinted material must include a copyright notice in the following format: "© 2019 UL LLC"