

XHEZ.F-C-2490 - THROUGH-PENETRATION FIRESTOP SYSTEMS

Design/System/Construction/Assembly Usage Disclaimer

- Authorities Having Jurisdiction should be consulted in all cases as to the particular requirements covering the installation and use of UL Certified products, equipment, system, devices, and materials.
- Authorities Having Jurisdiction should be consulted before construction.
- Fire resistance assemblies and products are developed by the design submitter and have been investigated by UL for compliance with applicable requirements. The published information cannot always address every construction nuance encountered in the field.
- When field issues arise, it is recommended the first contact for assistance be the technical service staff provided by the product manufacturer noted for the design. Users of fire resistance assemblies are advised to consult the general Guide Information for each product category and each group of assemblies. The Guide Information includes specifics concerning alternate materials and alternate methods of construction.
- Only products which bear UL's Mark are considered Certified.

XHEZ - Through-penetration Firestop Systems

XHEZ7 - Through-penetration Firestop Systems Certified for Canada

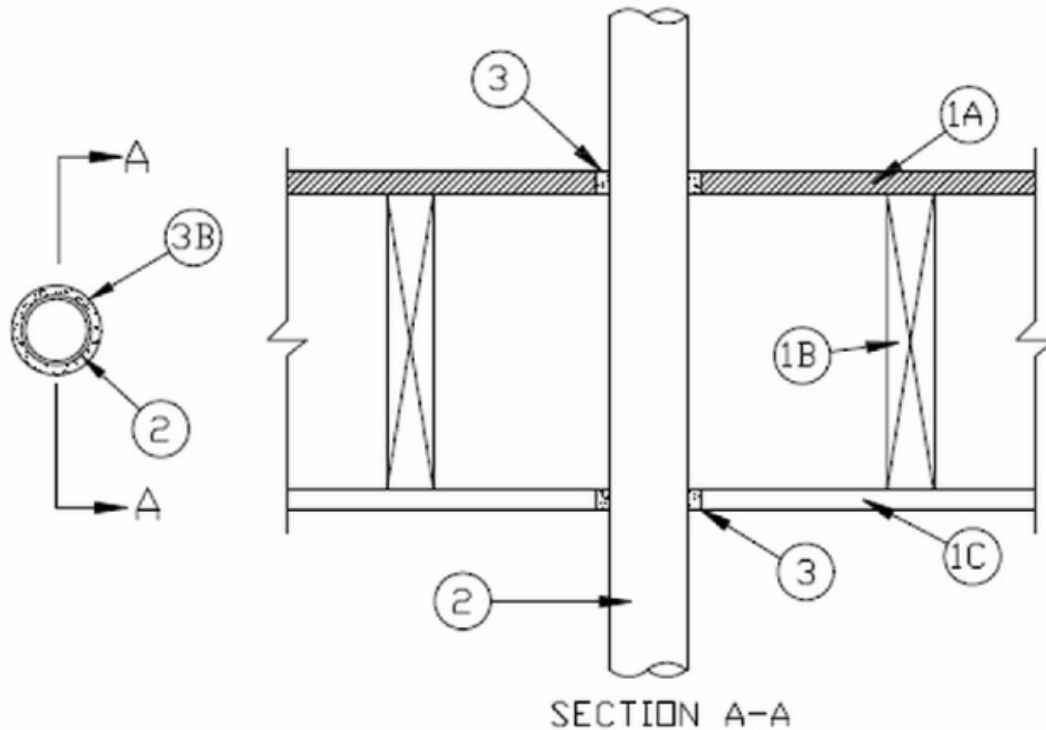
See General Information for Through-penetration Firestop Systems

See General Information for Through-penetration Firestop Systems Certified for Canada

System No. F-C-2490

May 20, 2019

ANSI/UL1479 (ASTM E814)	CAN/ULC S115
F Ratings — 1 Hr	F Ratings — 1 Hr
T Rating — 1 Hr	FT Rating — 1 Hr
	FH Ratings — 1 Hr
	FTH Rating — 1 Hr



1. **Floor Ceiling Assembly** — The 1 h fire-rated wood joist floor-ceiling assembly shall be constructed of the materials and in the manner specified in the individual L500 Designs in the ULC Fire Resistance Directory, as summarized below:

A. **Flooring System** — Lumber or plywood subfloor with finish floor of lumber, plywood or **Floor Topping Mixture*** as specified in the individual Floor-Ceiling Design. Max diam of floor opening is 3 in. (76 mm).

B. **Wood Joists** — Nom 10 in. (254 mm) deep (or deeper) lumber, steel or combination lumber and steel joists, trusses or **Structural Wood Members*** with bridging as required and with ends firestopped.

C. **Gypsum Board** — Nom 5/8 in. (16 mm) thick as specified in the individual Floor-Ceiling Design. Wallboard secured to joists as specified in the individual Floor-Ceiling Design. Max diam of ceiling opening is 3 in. (76 mm).

2. **Nonmetallic Pipe** — Nom 2 in. (51 mm) diam (or smaller) nonmetallic pipe for use in closed (process or supply) or vented (drain, waste or vent) piping systems. Pipe to be installed concentrically within the firestop system. The annular space between the pipe and periphery of opening shall be Nom 1/4 in. (6 mm). Pipe to be rigidly supported on both sides of floor or wall assembly. The following types and sizes of nonmetallic pipe may be used:

A. **Polypropylene (PP) Pipe** — Nom 2 in. (51 mm) diam (or smaller) Aquatherm Greenpipe SDR 7.4 PP pipe for use in closed (process or supply) piping systems.

B. **Polypropylene (PP) Pipe** — Nom 2 in. (51 mm) diam (or smaller) Aquatherm Greenpipe SDR 11 PP pipe for use in closed (process or supply) piping systems.

C. **Chlorinated Polyvinyl Chloride (CPVC) Pipe** — Nom 51 mm diam (or smaller) ADR 13.5 CPVC Pipe for use in closed (Process of Supply) piping system.

3. **Fill, Void or Cavity Material- Caulk** — Min 3/4 in. (19 mm) thickness of fill material applied within annulus, flush with top surface of floor and bottom of ceiling.
RELIANCE WORLDWIDE CORPORATION DBA HOLDRITE HYDROFLAME — HydroFlame 200

*** Indicates such products shall bear the UL or cUL Certification Mark for jurisdictions employing the UL or cUL Certification (such as Canada), respectively.**

Last Updated on 2019-05-20

The appearance of a company's name or product in this database does not in itself assure that products so identified have been manufactured under UL's Follow-Up Service. Only those products bearing the UL Mark should be considered to be Certified and covered under UL's Follow-Up Service. Always look for the Mark on the product.

UL permits the reproduction of the material contained in the Online Certification Directory subject to the following conditions: 1. The Guide Information, Assemblies, Constructions, Designs, Systems, and/or Certifications (files) must be presented in their entirety and in a non-misleading manner, without any manipulation of the data (or drawings). 2. The statement "Reprinted from the Online Certifications Directory with permission from UL" must appear adjacent to the extracted material. In addition, the reprinted material must include a copyright notice in the following format: "© 2019 UL LLC"