

# THROUGH-PENETRATION FIRESTOP SYSTEM

Assembly Usage Disclaimer

## Search Parameters

Manufacturer

Holdrite

## XHEZ - Through-penetration Firestop Systems

See General Information for Through-penetration Firestop Systems

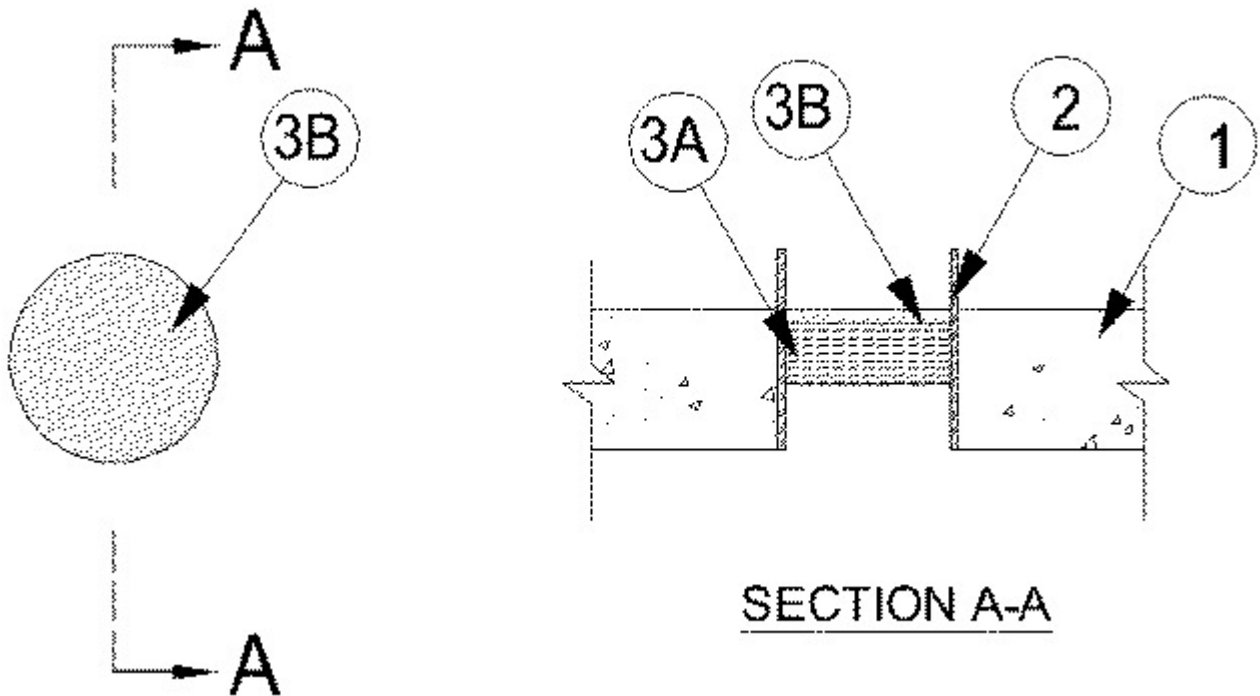
### System No. C-AJ-0171

January 14, 2019

F Rating — 2 Hr

T Ratings — 1-3/4 & 2 Hr (See Item 2)

W Ratings - Class 1 (See Item 2)



1. **Floor or Wall Assembly** — Min 4-1/2 in. (114 mm) thick reinforced lightweight or normal weight (100-150 pcf or 1600-24009 kg/m<sup>3</sup>) concrete. Wall may also be constructed of any UL Classified **Concrete Blocks**\*. Max diam of opening is 6 in. (152 mm)

See **Concrete Blocks** (CAZT) category in the Fire Resistance Directory for names of manufacturers.

2. **Steel Sleeve** — (Optional) - Cylindrical sleeve fabricated from 0.036 in. (0.9 mm) thick (No. 20 gauge) galv sheet steel and having a min 1 in. (25 mm) lap along the longitudinal seam. Steel sleeve to project max 2 in. (51 mm) beyond the top surface of the floor or both surfaces of the wall. Sleeve cast or grouted in the concrete floor or wall.

T Rating is 2 Hr when no sleeve is used. W Rating applies when no sleeve is used and max opening size is 2-1/2 in. (64 mm).

3. **Firestop System** — The firestop system shall consist of the following:

A. **Packing Material** — Min 2 in.(51 mm) thickness of min 4 pcf (64 kg/m<sup>3</sup>) mineral wool batt insulation tightly packed into opening as a permanent form. Packing material to be recessed from top surface of floor or from both surfaces of wall as required to accommodate the required thickness of fill material.

B. **Fill, Void or Cavity Material\* — Caulk** — Min 1/2 in. (13 mm) thickness of fill material applied within the annulus, flush with the top surface of floor or with both surfaces of wall.

**RELIANCE WORLDWIDE CORPORATION DBA HOLDRITE**  
**HYDROFLAME** — HydroFlame 100

\* Indicates such products shall bear the UL or cUL Certification Mark for jurisdictions employing the UL or cUL Certification (such as Canada), respectively.

Last Updated on 2019-01-14

---

### **Design/System/Construction/Assembly Usage Disclaimer**

- Authorities Having Jurisdiction should be consulted in all cases as to the particular requirements covering the installation and use of UL Certified products, equipment, system, devices, and materials.
- Authorities Having Jurisdiction should be consulted before construction.
- Fire resistance assemblies and products are developed by the design submitter and have been investigated by UL for compliance with applicable requirements. The published information cannot always address every construction nuance encountered in the field.
- When field issues arise, it is recommended the first contact for assistance be the technical service staff provided by the product manufacturer noted for the design. Users of fire resistance assemblies are advised to consult the general Guide Information for each product category and

each group of assemblies. The Guide Information includes specifics concerning alternate materials and alternate methods of construction.

- Only products which bear UL's Mark are considered Certified.

---

The appearance of a company's name or product in this database does not in itself assure that products so identified have been manufactured under UL's Follow-Up Service. Only those products bearing the UL Mark should be considered to be Certified and covered under UL's Follow-Up Service. Always look for the Mark on the product.

UL permits the reproduction of the material contained in the Online Certification Directory subject to the following conditions: 1. The Guide Information, Assemblies, Constructions, Designs, Systems, and/or Certifications (files) must be presented in their entirety and in a non-misleading manner, without any manipulation of the data (or drawings). 2. The statement "Reprinted from the Online Certifications Directory with permission from UL" must appear adjacent to the extracted material. In addition, the reprinted material must include a copyright notice in the following format: "© 2019 UL LLC".

UL and the UL logo are trademarks of UL LLC © 2019 All Rights Reserved.