

# THROUGH-PENETRATION FIRESTOP SYSTEM

Assembly Usage Disclaimer

## Search Parameters

Manufacturer

Holdrite

## XHEZ - Through-penetration Firestop Systems

### XHEZ7 - Through-penetration Firestop Systems Certified for Canada

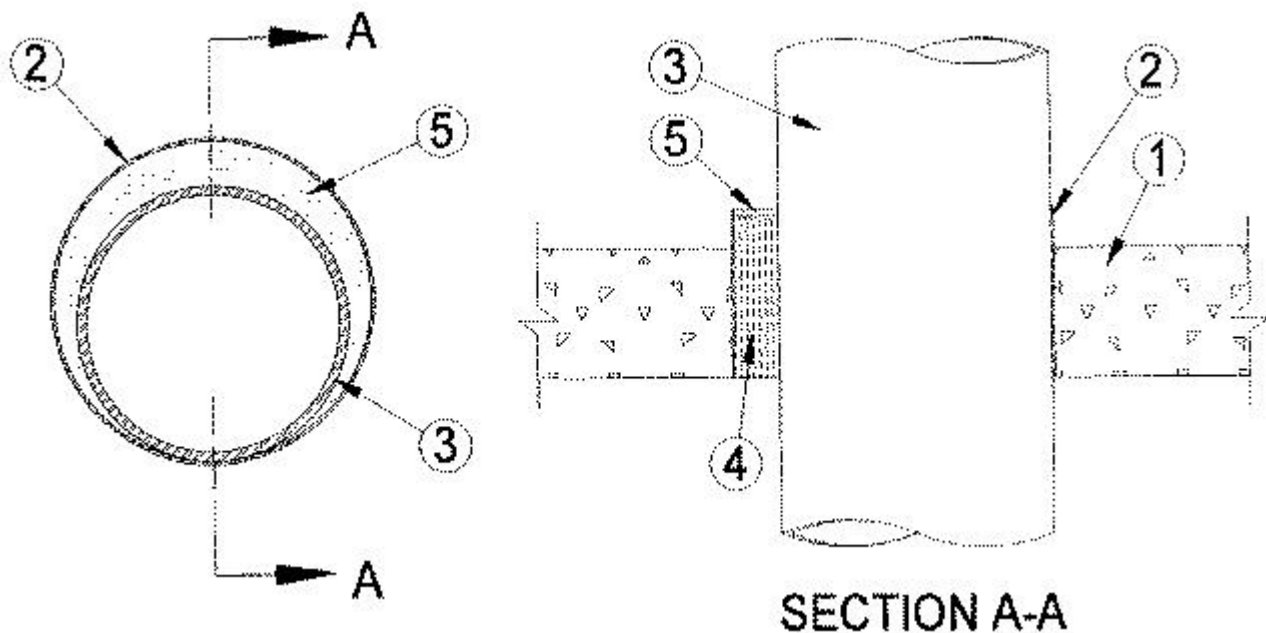
[See General Information for Through-penetration Firestop Systems](#)

[See General Information for Through-penetration Firestop Systems Certified for Canada](#)

### System No. C-AJ-1698

January 14, 2019

ANSI/UL1479 (ASTM E814)	CAN/ULC S115	
F Rating - 3 Hr	F Rating -3 Hr	
	FH Rating -3 Hr	
T Rating - 0 Hr	FT Rating - 0 Hr	
	FTH Rating -0 Hr	



1. **Floor or Wall Assembly** — Min 4-1/2 in. thick reinforced lightweight or normal weight (100-150 pcf) concrete. Wall may also be constructed of any UL Classified **Concrete Blocks\***.

See **Concrete Blocks** (CAZT) category for names of manufacturers.

2. **Steel Sleeve** — (Optional) nom 22 in. diam (or smaller) cylindrical sleeve formed from min 1/8 in. thick steel. Length of steel sleeve to be 1-1/2 in. greater than thickness of floor or 3 in. greater than thickness of wall. Steel sleeve to project 1-1/2 in. beyond top surface of floor or both sides of wall.

3. **Through Penetrant** — One metallic pipe or conduit to be installed either concentrically or eccentrically within the firestop system. The annular space between the through penetrant and the periphery of opening shall be min 0 in. (point contact) to a max of 1-3/4 in. Through penetrant to be rigidly supported on both sides of floor or wall assembly. The following types and sizes of metallic pipe or conduit may be used:

A. **Steel Pipe** — Nom 20 in. diam (or smaller) Schedule 10 (or heavier) steel pipe.

B. **Iron Pipe** — Nom 20 in. diam (or smaller) cast or ductile iron pipe.

C. **Steel Conduit** — Nom 6 in. diam (or smaller) rigid steel conduit.

D. **Copper Tube** — Nom 6 in. diam (or smaller) Type L (or heavier) copper tube.

E. **Copper Pipe** — Nom 6 in. diam (or smaller) Regular (or heavier) copper pipe.

4. **Packing Material** — When optional steel sleeve is used, min 5-3/4 in. thickness of min 4 pcf mineral wool batt insulation firmly packed into annular space as a permanent form. When steel sleeve is not used, min thickness of mineral wool is 4-1/4 in. Packing material to be recessed min 1/4 in. from top of sleeve or concrete in

floor or from both ends of sleeve or concrete in wall as required to accommodate the caulk fill material (Item 5).

**5. Fill, Void or Cavity Material\* — Caulk —** When optional steel sleeve is used, fill material applied to fill the annular space to a min depth of 1/4 in. flush with the top edge of steel sleeve in floor or both ends of steel sleeve in wall. When optional steel sleeve is not used, fill material applied to a min depth of 1/4 in. flush with top surface of floor or with both surfaces of wall. A min 1/4 in. diam bead of caulk shall be applied to the edge of the steel sleeve or concrete where the pipe or conduit is installed at point contact.

**RELIANCE WORLDWIDE CORPORATION DBA HOLDRITE HYDROFLAME —**  
HydroFlame 200

**\* Indicates such products shall bear the UL or cUL Certification Mark for jurisdictions employing the UL or cUL Certification (such as Canada), respectively.**

Last Updated on 2019-01-14

---

### **Design/System/Construction/Assembly Usage Disclaimer**

- Authorities Having Jurisdiction should be consulted in all cases as to the particular requirements covering the installation and use of UL Certified products, equipment, system, devices, and materials.
- Authorities Having Jurisdiction should be consulted before construction.
- Fire resistance assemblies and products are developed by the design submitter and have been investigated by UL for compliance with applicable requirements. The published information cannot always address every construction nuance encountered in the field.
- When field issues arise, it is recommended the first contact for assistance be the technical service staff provided by the product manufacturer noted for the design. Users of fire resistance assemblies are advised to consult the general Guide Information for each product category and each group of assemblies. The Guide Information includes specifics concerning alternate materials and alternate methods of construction.
- Only products which bear UL's Mark are considered Certified.

---

The appearance of a company's name or product in this database does not in itself assure that products so identified have been manufactured under UL's Follow-Up Service. Only those products bearing the UL Mark should be considered to be Certified and covered under UL's Follow-Up Service. Always look for the Mark on the product.

UL permits the reproduction of the material contained in the Online Certification Directory subject to the following conditions: 1. The Guide Information, Assemblies, Constructions, Designs, Systems, and/or Certifications (files) must be presented in their entirety and in a non-misleading manner, without any manipulation of the data (or drawings). 2. The statement "Reprinted from the Online Certifications Directory with permission from UL" must appear adjacent to the extracted material. In addition, the reprinted material must include a copyright notice in the following format: "© 2019 UL LLC".

UL and the UL logo are trademarks of UL LLC © 2019 All Rights Reserved.