

# THROUGH-PENETRATION FIRESTOP SYSTEM

Assembly Usage Disclaimer

## Search Parameters

Manufacturer

Holdrite

## XHEZ - Through-penetration Firestop Systems

### XHEZ7 - Through-penetration Firestop Systems Certified for Canada

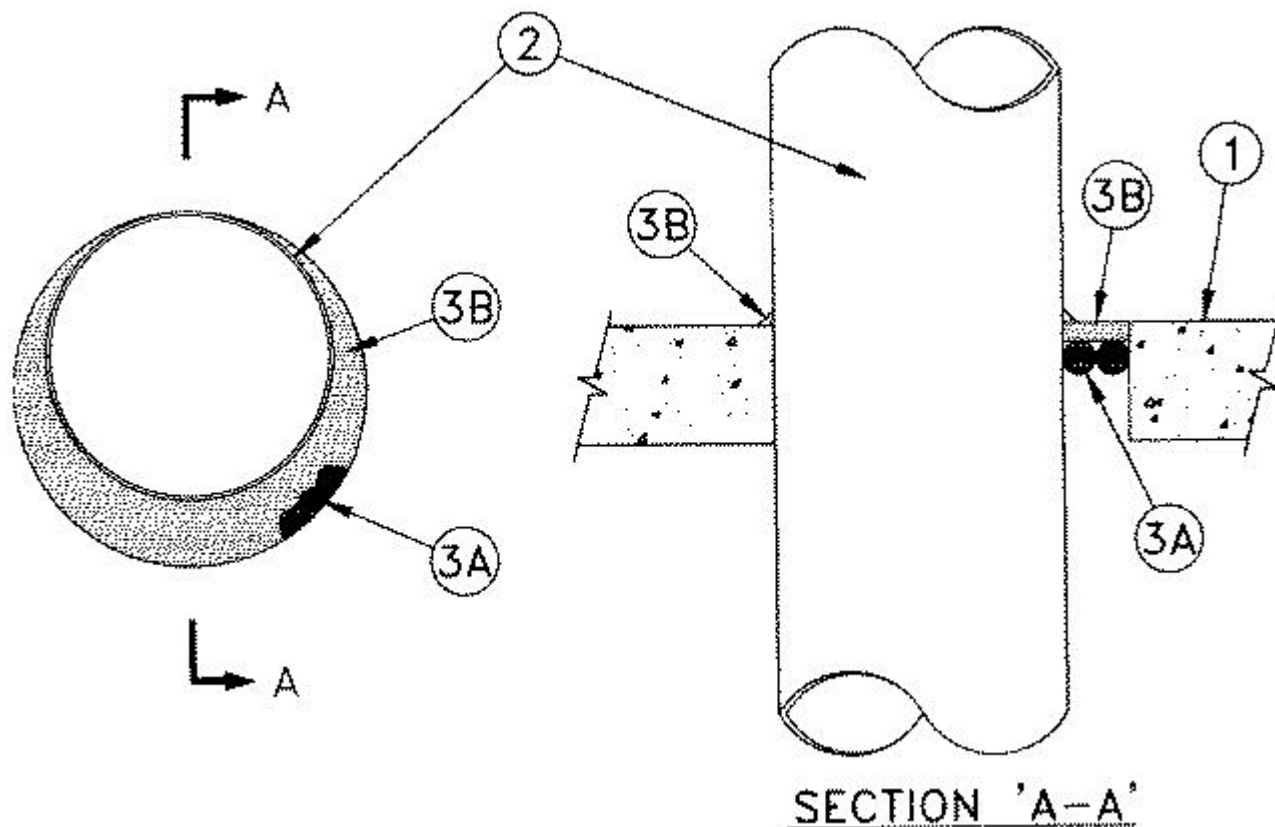
[See General Information for Through-penetration Firestop Systems](#)

[See General Information for Through-penetration Firestop Systems Certified for Canada](#)

### System No. C-AJ-1701

January 15, 2019

ANSI/UL1479 (ASTM E814)	CAN/ULC S115	
F Rating — 2 Hr	F Rating — 2 Hr	
T Rating — 0 Hr	FT Rating — 0 Hr	
	FH Rating — 0 Hr	
	FTH Rating — 0 Hr	



1. **Floor or Wall Assembly** — Min 2-1/2 in. (64 mm) thick reinforced light weight or normal weight (100-150 pcf or 1600-2400 kg/m<sup>3</sup>) concrete. Floor may also be constructed of any 6 in. thick UL Classified hollow-core **Precast Concrete Units\***. Wall may also be constructed of any UL Classified **Concrete Blocks\***. Max diam of opening is 24-7/8 in. (632 mm). When precast concrete units are used the max diam of opening is 7 in. (178 mm).

See **Concrete Blocks (CAZT)** and **Precast Concrete Units\*** (CFTV) categories in the Fire Resistance Directory for names of manufacturers.

2. **Through Penetrants** — One metallic pipe, conduit or tubing to be installed either concentrically or eccentrically within the firestop system. Pipe, conduit or tubing to be rigidly supported on both sides of floor or wall assembly. The annular space shall be min 0 in. to max 7/8 in. (22 mm) The following types and sizes of metallic pipes, conduits or tubing may be used:

- A. **Steel Pipe** — Nom 24 in. (610 mm) diam (or smaller) Schedule 10 (or heavier) steel pipe.
- B. **Iron Pipe** — Nom 24 in. (610 mm) diam (or smaller) cast or ductile iron pipe.
- C. **Conduit** — Nom 6 in. (152 mm) diam (or smaller) steel electrical metallic tubing or steel conduit.
- D. **Copper Tubing** — Nom 6 in. (152 mm) diam (or smaller) Type L (or heavier) copper tubing.

E. **Copper Pipe** — Nom 6 in. (152 mm) diam (or smaller) Regular (or heavier) copper pipe.

3. **Firestop System** — The firestop system shall consist of the following:

A. **Packing Material** — Foam backer rod firmly packed into opening as a permanent form. Packing material to be recessed from top surface of floor or from both surfaces of wall, as required to accommodate the required thickness of fill material.

B. **Fill, Void, or Cavity Materials\* - Sealant** — Min 1/2 in. (13 mm) thickness of fill material applied within the annulus, flush with top surface of floor, or with both surfaces of wall. Min 1/4 (6 mm) in. thick crown of the fill material shall be applied around the entire circumference of the penetrant at the top surface of floor or both surfaces of wall. In floors of precast concrete units, material shall be installed symmetrically on both sides of the floor.

**RELIANCE WORLDWIDE CORPORATION DBA HOLDRITE HYDROFLAME** — HydroFlame 100, HydroFlame 200

\* Indicates such products shall bear the UL or cUL Certification Mark for jurisdictions employing the UL or cUL Certification (such as Canada), respectively.

Last Updated on 2019-01-15

---

### **Design/System/Construction/Assembly Usage Disclaimer**

- Authorities Having Jurisdiction should be consulted in all cases as to the particular requirements covering the installation and use of UL Certified products, equipment, system, devices, and materials.
- Authorities Having Jurisdiction should be consulted before construction.
- Fire resistance assemblies and products are developed by the design submitter and have been investigated by UL for compliance with applicable requirements. The published information cannot always address every construction nuance encountered in the field.
- When field issues arise, it is recommended the first contact for assistance be the technical service staff provided by the product manufacturer noted for the design. Users of fire resistance assemblies are advised to consult the general Guide Information for each product category and each group of assemblies. The Guide Information includes specifics concerning alternate materials and alternate methods of construction.
- Only products which bear UL's Mark are considered Certified.

---

The appearance of a company's name or product in this database does not in itself assure that products so identified have been manufactured under UL's Follow-Up Service. Only those products bearing the UL Mark should be considered to be Certified and covered under UL's Follow-Up Service. Always look for the Mark on the product.

UL permits the reproduction of the material contained in the Online Certification Directory subject to the following conditions: 1. The Guide Information, Assemblies, Constructions, Designs, Systems, and/or Certifications (files) must be presented in their entirety and in a non-misleading manner, without any manipulation of the data (or drawings). 2. The statement "Reprinted from the Online Certifications Directory with permission from UL" must appear adjacent to the extracted material. In addition, the reprinted material must include a copyright notice in the following format: "© 2019 UL LLC".

UL and the UL logo are trademarks of UL LLC © 2019 All Rights Reserved.