

THROUGH-PENETRATION FIRESTOP SYSTEM

Assembly Usage Disclaimer

Search Parameters

Manufacturer

Holdrite

XHEZ - Through-penetration Firestop Systems

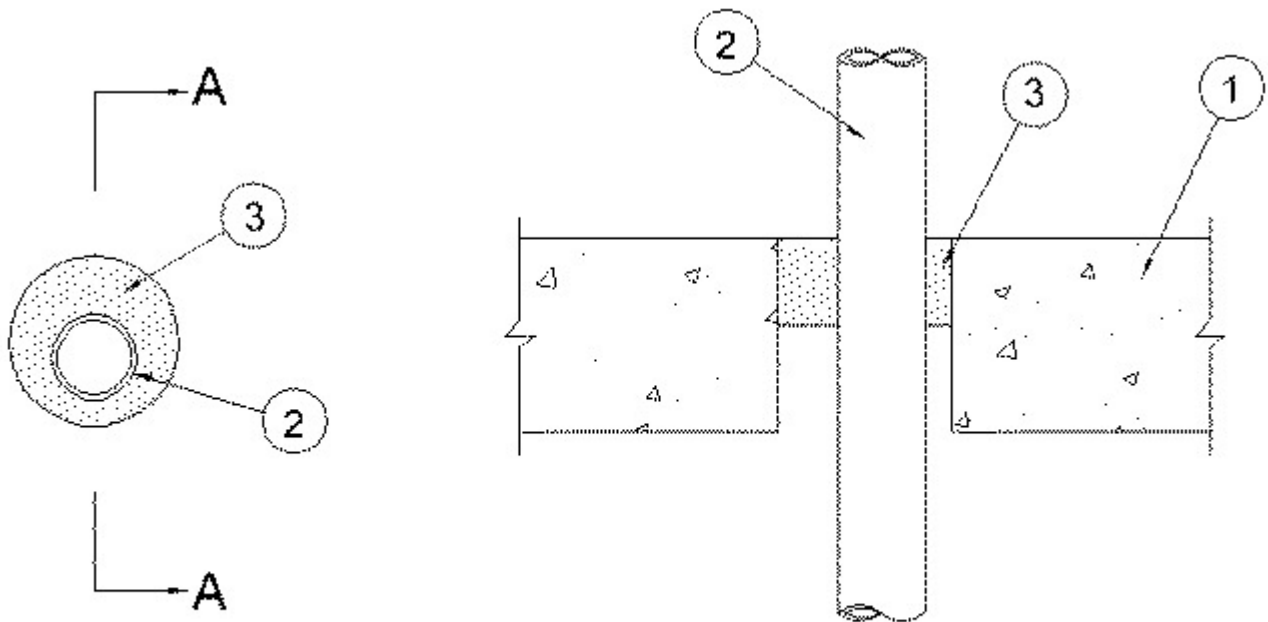
See General Information for Through-penetration Firestop Systems

System No. C-AJ-2860

January 23, 2019

F Rating — 3 Hr

T Rating — 0 Hr



SECTION A-A

1. **Floor or Wall Assembly** — Min 4-1/2 in. (114 mm) thick reinforced lightweight or normal weight (100-150 pcf or 1600-2400 kg/m³) concrete. Wall may also be constructed of any UL Classified **Concrete Blocks***. Diam of opening shall be 2 in. (51 mm) larger than the nom pipe diam.

See **Concrete Blocks** (CAZT) category in Fire Resistance Directory for names of manufacturers.

1A. **Steel Deck/Floor Assembly** — (Not Shown) — As an alternate to Item 1, the floor assembly shall consist of a fluted steel deck/concrete floor assembly. The floor assembly shall be constructed of the materials and in the manner described in the individual D900 Series design in the UL Fire Resistance Directory and shall include the following construction features.

A. **Steel Floor and Form Units*** — Max 3 in. (76 mm) deep galv fluted units.

B. **Concrete** — Min 4-1/2 in. (114 mm) thick reinforced concrete, as measured from the top plane of the floor units. Diam of opening shall be 2 in. (51 mm) larger than the nom pipe diam.

2. **Flame Retardant Polypropylene (FRPP) Pipe** — Nom 2 in. (51 mm) diam (or smaller) Schedule 40 FRPP pipe for use in closed (process or supply) or vented (drain, waste or vent) piping systems. Annular space between pipe and periphery of the opening shall be min 5/8 in. (16 mm) to max 1 in. (25 mm). Pipe to be rigidly supported on both sides of floor or wall.

3. **Fill, Void or Cavity Material* - Sealant** — Min 2 in. (51 mm) thickness of sealant applied within the annulus, flush with top surface of floor or both surfaces of wall.
RELIANCE WORLDWIDE CORPORATION DBA HOLDRITE HYDROFLAME — HydroFlame 200

* Indicates such products shall bear the UL or cUL Certification Mark for jurisdictions employing the UL or cUL Certification (such as Canada), respectively.

Last Updated on 2019-01-23

Design/System/Construction/Assembly Usage Disclaimer

- Authorities Having Jurisdiction should be consulted in all cases as to the particular requirements covering the installation and use of UL Certified products, equipment, system, devices, and materials.
- Authorities Having Jurisdiction should be consulted before construction.
- Fire resistance assemblies and products are developed by the design submitter and have been investigated by UL for compliance with applicable requirements. The published information cannot always address every construction nuance encountered in the field.
- When field issues arise, it is recommended the first contact for assistance be the technical service staff provided by the product manufacturer noted for the design. Users of fire resistance

assemblies are advised to consult the general Guide Information for each product category and each group of assemblies. The Guide Information includes specifics concerning alternate materials and alternate methods of construction.

- Only products which bear UL's Mark are considered Certified.

The appearance of a company's name or product in this database does not in itself assure that products so identified have been manufactured under UL's Follow-Up Service. Only those products bearing the UL Mark should be considered to be Certified and covered under UL's Follow-Up Service. Always look for the Mark on the product.

UL permits the reproduction of the material contained in the Online Certification Directory subject to the following conditions: 1. The Guide Information, Assemblies, Constructions, Designs, Systems, and/or Certifications (files) must be presented in their entirety and in a non-misleading manner, without any manipulation of the data (or drawings). 2. The statement "Reprinted from the Online Certifications Directory with permission from UL" must appear adjacent to the extracted material. In addition, the reprinted material must include a copyright notice in the following format: "© 2019 UL LLC".

UL and the UL logo are trademarks of UL LLC © 2019 All Rights Reserved.