

THROUGH-PENETRATION FIRESTOP SYSTEM

Assembly Usage Disclaimer

Search Parameters

Manufacturer

Holdrite

XHEZ - Through-penetration Firestop Systems

XHEZ7 - Through-penetration Firestop Systems Certified for Canada

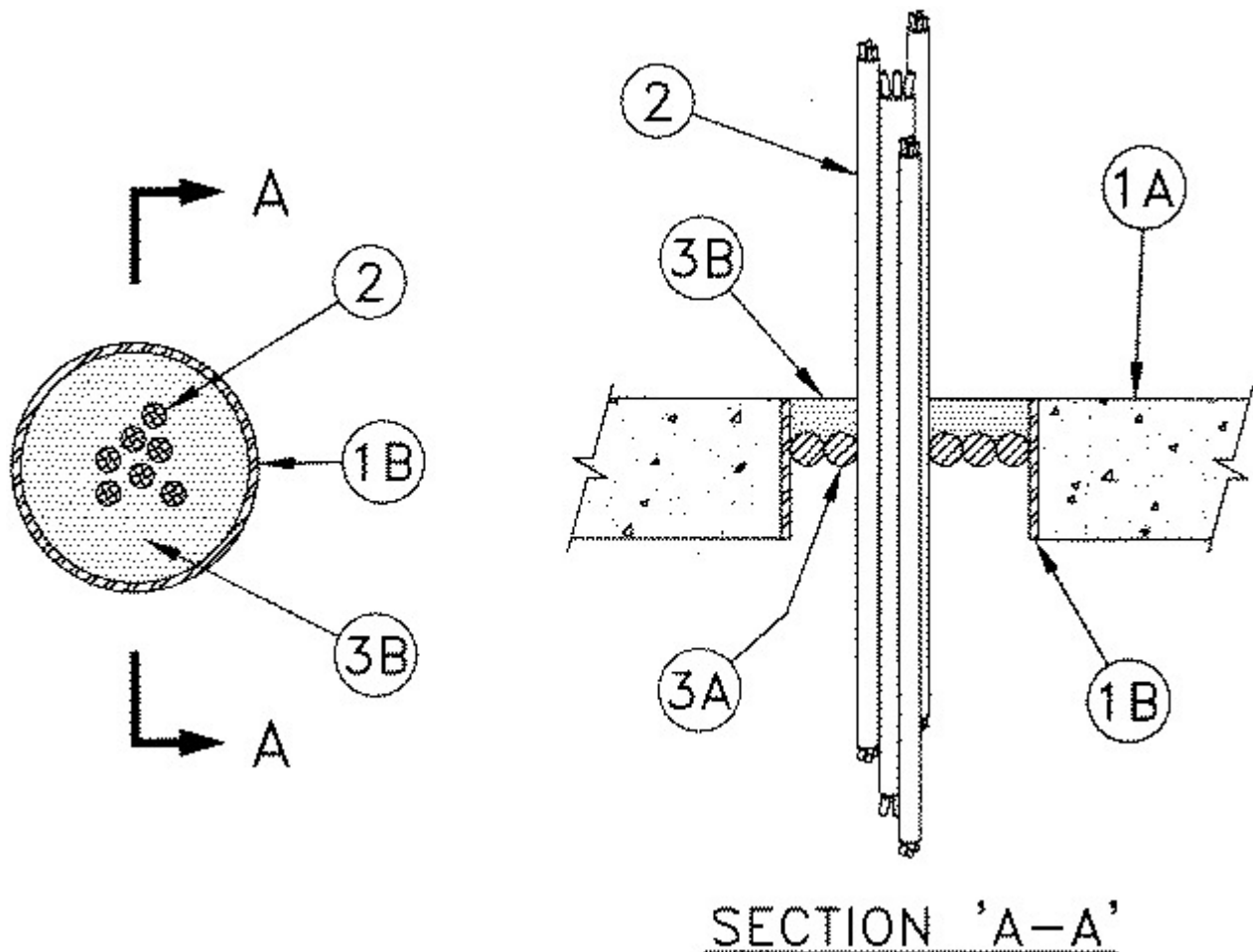
[See General Information for Through-penetration Firestop Systems](#)

[See General Information for Through-penetration Firestop Systems Certified for Canada](#)

System No. C-AJ-3358

January 24, 2019

ANSI/UL1479 (ASTM E814)	CAN/ULC S115
F Rating — 2 and 3 Hr (See Items 1A and 2)	F Rating — 2 and 3 Hr (See Items 1A and 2)
T Rating 0	FT Rating — 0 Hr
L Rating At Ambient — Less Than 1 CFM/sq ft	FH Rating — 2 and 3 Hr (See Items 1A and 2)
L Rating At 400°F — 1.4 CFM/sq ft	FTH Rating — 0 Hr
	L Rating At Ambient — Less Than 1 CFM/sq ft
	L Rating At 400°F — 1.4 CFM/sq ft



1A. Floor or Wall Assembly — Min 4-1/2 in. (114 mm) thick reinforced light weight or normal weight (100-150 pcf or 1600-2400 kg/m³) concrete. Wall may also be constructed of any UL Classified **Concrete Blocks***. Floor may also be constructed of any min 6 in. (152 mm) thick UL Classified hollow-core **Precast Concrete Units***. Max diam of opening is 6 in. (152 mm).

See **Concrete Blocks (CAZT) Precast Concrete Units (CFTV)** and categories in the Fire Resistance Rating Directory for names of manufacturers.

The F and FH Ratings of the firestop system are dependent upon the diam of the opening. If the diam of the opening or metallic sleeve (Item 1B) is 4-3/8 in. (111 mm) or less, the F and FH Ratings of the firestop system are 3 hr. If the diam of the opening or metallic sleeve is greater than 4-3/8 in. (111 mm), the F and FH Ratings of the firestop system are 2 hr.

1B. Metallic Sleeve — (Optional)- Max 6 in. (152 mm) diameter Schedule 10 (or heavier) steel pipe sleeve, cast or grouted into floor or wall assembly, flush with top surface of floor or both surfaces of wall assembly.

2. Cables — Aggregate cross-sectional area of cables in opening to be max 40 percent of the cross-sectional area of the opening. Cables installed in a bundle. The annular space between the cable bundle and the periphery of the opening shall be min 3/8 in. (10 mm) to max 1-3/16 in. (30 mm). Cables to be rigidly supported on

both sides of floor or wall assembly. Any combination of the following types and sizes of cables may be used:

A. Max 1/C - 750 MCM THHN power cable with PVC insulation and jacket.

B. Max 72 conductors 62.5/125 fiber optic cable with PVC insulation and jacket.

C. Max 7/C - No. 16 AWG power and control cables with rubber insulation and neoprene jacket.

D. Max 400 pairs - No. 24 AWG telephone communication cable with PVC insulation and jacket.

E. Max 1/C — 350 kcmil (or smaller) cable with PVC insulation and jacket or hypalon insulation and ethylene propylene rubber jacket.

F. Max 16/C — No. 16 AWG (or smaller) cable with PVC insulation and jacket.

G. Max 4/C — No. 12 AWG (or smaller) cable with rubber insulation and neoprene jacket.

H. Max six, 3/C - No. 2/0 AWG (or smaller) copper conductors aluminum or steel jacketed **Metal Clad or Armored Cable+**.

When Items 2E, 2F, 2G or 2H are used, the F and FH Ratings of the firestop system are 2 hr. When Items 2A, 2B, 2C and 2D are only used, the F and FH Ratings of the firestop system are 3 hr.

3. Firestop System — The Firestop system shall consist of the following:

A. **Packing Materials** — Nom 1 in. (25 mm) diam foam backer rod or min 4 pcf (64 kg/m³) mineral wool insulation, firmly packed into opening as a permanent form. Packing material to be recessed from top surface of floor or from both surfaces of wall to accommodate the required thickness of fill material.

B. **Fill, Void, or Cavity Materials*** — Caulk - Min 1 in. (25 mm) thickness of fill material applied within the annulus and interstices between cables, flush with top surface of floor or both surfaces of wall. When the floor is constructed of hollow-core precast concrete units, fill material shall be installed on both sides of the floor. When Item 2F is used only, the fill material may be applied within the annulus, flush with either the bottom or top surface of the floor or one surface of the wall. When Item 2F is used only and the floor is constructed of hollow-core precast concrete units, the fill material shall be installed on both sides of the floor.

**RELIANCE WORLDWIDE CORPORATION DBA HOLDRITE
HYDROFLAME** — HydroFlame 200

*** Indicates such products shall bear the UL or cUL Certification Mark for jurisdictions employing the UL or cUL Certification (such as Canada), respectively.**

+Bearing the UL Listing Mark

Last Updated on 2019-01-24

Design/System/Construction/Assembly Usage Disclaimer

- Authorities Having Jurisdiction should be consulted in all cases as to the particular requirements covering the installation and use of UL Certified products, equipment, system, devices, and materials.
- Authorities Having Jurisdiction should be consulted before construction.
- Fire resistance assemblies and products are developed by the design submitter and have been investigated by UL for compliance with applicable requirements. The published information cannot always address every construction nuance encountered in the field.
- When field issues arise, it is recommended the first contact for assistance be the technical service staff provided by the product manufacturer noted for the design. Users of fire resistance assemblies are advised to consult the general Guide Information for each product category and each group of assemblies. The Guide Information includes specifics concerning alternate materials and alternate methods of construction.
- Only products which bear UL's Mark are considered Certified.

The appearance of a company's name or product in this database does not in itself assure that products so identified have been manufactured under UL's Follow-Up Service. Only those products bearing the UL Mark should be considered to be Certified and covered under UL's Follow-Up Service. Always look for the Mark on the product.

UL permits the reproduction of the material contained in the Online Certification Directory subject to the following conditions: 1. The Guide Information, Assemblies, Constructions, Designs, Systems, and/or Certifications (files) must be presented in their entirety and in a non-misleading manner, without any manipulation of the data (or drawings). 2. The statement "Reprinted from the Online Certifications Directory with permission from UL" must appear adjacent to the extracted material. In addition, the reprinted material must include a copyright notice in the following format: "© 2019 UL LLC".

UL and the UL logo are trademarks of UL LLC © 2019 All Rights Reserved.