

# THROUGH-PENETRATION FIRESTOP SYSTEM

Assembly Usage Disclaimer

## Search Parameters

Manufacturer

Holdrite

### XHEZ - Through-penetration Firestop Systems

#### XHEZ7 - Through-penetration Firestop Systems Certified for Canada

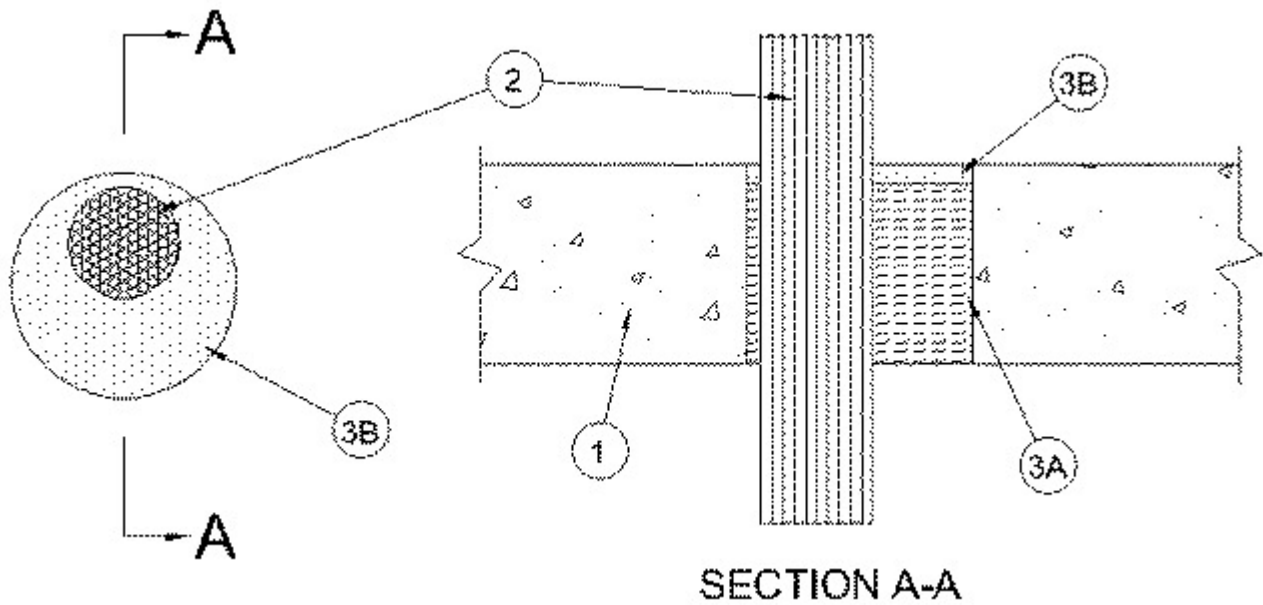
[See General Information for Through-penetration Firestop Systems](#)

[See General Information for Through-penetration Firestop Systems Certified for Canada](#)

#### System No. C-AJ-3359

February 11, 2019

ANSI/UL1479	CAN/ULC S115
F Rating — 2 Hr	F Rating — 2 Hr
T Rating — 0 Hr	FT Rating — 0 Hr
	FH Rating — 2 Hr
	FTH Rating — 0 Hr
L Rating at Ambient - Less than 1 CFM/sp ft	L Rating at Ambient - Less than 1 CFM/sp ft
L Rating at 4000°F - 1.4 CFM/sq ft	L Rating at 4000°F - 1.4 CFM/sq ft



1. **Floor or Wall Assembly** — Min 4-1/2 in. (114 mm) thick reinforced lightweight or normal weight (100-150 pcf or 1600-2400 kg/m<sup>3</sup>) concrete floor or min 5 in. (127 mm) thick reinforced lightweight or normal weight wall. Wall may also be constructed of any UL Classified **Concrete Blocks\***. Floor may also be constructed of any min 6 in. (152 mm) thick UL Classified hollow-core **Precast Concrete Units\***. Max diam of the opening is 6 in. (152 mm).

See **Concrete Block (CAZT)** and **Precast Concrete Units (CFTV)** categories in the Fire Resistance Directory for names of manufacturers.

2. **Cables** — Aggregate cross-sectional area of cables in opening to be max 25 percent of the cross-sectional area of the opening. Cables installed individually or in bundles having a max bundle diam of 3 in. (76 mm). The annular space between cable bundle and the periphery of the opening shall be min 3/8 in. (10 mm) to max 2-5/8 in. (67 mm). Cables to be rigidly supported on both sides of floor or wall assembly. The following types and sizes of cables may be used:

A Max 100 pair No. 24 AWG (or smaller) copper conductor cable with polyvinyl chloride (PVC) jacketing and insulation.

B Max 3/C No. 2/0 AWG (or smaller) aluminum conductor service entrance cable with PVC insulation and jacket.

C Max 3/C with ground No. 12 AWG (or smaller) nonmetallic sheathed (Romex) cable with copper conductors, PVC insulation and jacket.

D Max 1/C No. 350 kcmil (or smaller) copper conductor power cable with XLPE (cross-linked polyethylene) or PVC insulation and XLPE or PVC jacket.

E Max RG59/U (or smaller) copper conductor coaxial cable with fluorinated ethylene insulation and jacketing.

F Max 62.5/125 fiber optic cable with PVC insulation and jacketing.

G Max RG/6 No. 18 AWG Type copper conductor CATV coaxial cable with PVC insulation and jacket.

H Max 7/C No. 12 AWG (or smaller) copper conductor cable with XLPE or PVC insulation and jacket.

**2A. Through Penetrating Product\*** — (Not Shown) As an alternate to Item 2, max 3/C No. 2/0 AWG (or smaller) copper conductors aluminum or steel **Metal Clad Cable+**. One or more cables to be installed either concentrically or eccentrically within the firestop system. Aggregate cross-sectional area of cables in opening to be max 25 percent of the aggregate cross-sectional area of the opening. Cables installed individually or in bundles having a max bundle diam of 3 in. (76 mm). The annular space between the cable bundle and the periphery of the opening shall be a min 3/8 in. (10 mm) to a max 2-5/8 in. (67 mm). Cables to be rigidly supported on both sides of floor or wall assembly.

**AFC CABLE SYSTEMS INC**

**3. Firestop System** — The firestop system shall consist of the following:

A. **Packing Material** — Min 4 in. (102 mm) thickness of min 4 pcf (64 kg/m<sup>3</sup>) mineral wool batt insulation firmly packed into opening as a permanent form. Packing material to be recessed from top surface of floor or from both surfaces of wall and hollow-core precast concrete units as required to accommodate the required thickness of fill material.

B. **Fill, Void or Cavity Material\* - Sealant** — Min 1/2 in. (13 mm) thickness of fill material applied within the annulus, flush with top surface of floor or with both surfaces of wall or hollow-core precast concrete units. Additional sealant shall be forced into interstices of cable bundle to max extent possible.

**RELIANCE WORLDWIDE CORPORATION DBA HOLDRITE  
HYDROFLAME** — HydroFlame 100

+Bearing the UL Listing Mark

**\* Indicates such products shall bear the UL or cUL Certification Mark for jurisdictions employing the UL or cUL Certification (such as Canada), respectively.**

Last Updated on 2019-02-11

---

### **Design/System/Construction/Assembly Usage Disclaimer**

- Authorities Having Jurisdiction should be consulted in all cases as to the particular requirements covering the installation and use of UL Certified products, equipment, system, devices, and materials.

- Authorities Having Jurisdiction should be consulted before construction.
  - Fire resistance assemblies and products are developed by the design submitter and have been investigated by UL for compliance with applicable requirements. The published information cannot always address every construction nuance encountered in the field.
  - When field issues arise, it is recommended the first contact for assistance be the technical service staff provided by the product manufacturer noted for the design. Users of fire resistance assemblies are advised to consult the general Guide Information for each product category and each group of assemblies. The Guide Information includes specifics concerning alternate materials and alternate methods of construction.
  - Only products which bear UL's Mark are considered Certified.
- 

The appearance of a company's name or product in this database does not in itself assure that products so identified have been manufactured under UL's Follow-Up Service. Only those products bearing the UL Mark should be considered to be Certified and covered under UL's Follow-Up Service. Always look for the Mark on the product.

UL permits the reproduction of the material contained in the Online Certification Directory subject to the following conditions: 1. The Guide Information, Assemblies, Constructions, Designs, Systems, and/or Certifications (files) must be presented in their entirety and in a non-misleading manner, without any manipulation of the data (or drawings). 2. The statement "Reprinted from the Online Certifications Directory with permission from UL" must appear adjacent to the extracted material. In addition, the reprinted material must include a copyright notice in the following format: "© 2019 UL LLC".

UL and the UL logo are trademarks of UL LLC © 2019 All Rights Reserved.