

THROUGH-PENETRATION FIRESTOP SYSTEM

Assembly Usage Disclaimer

Search Parameters

Manufacturer

Holdrite

XHEZ - Through-penetration Firestop Systems

XHEZ7 - Through-penetration Firestop Systems Certified for Canada

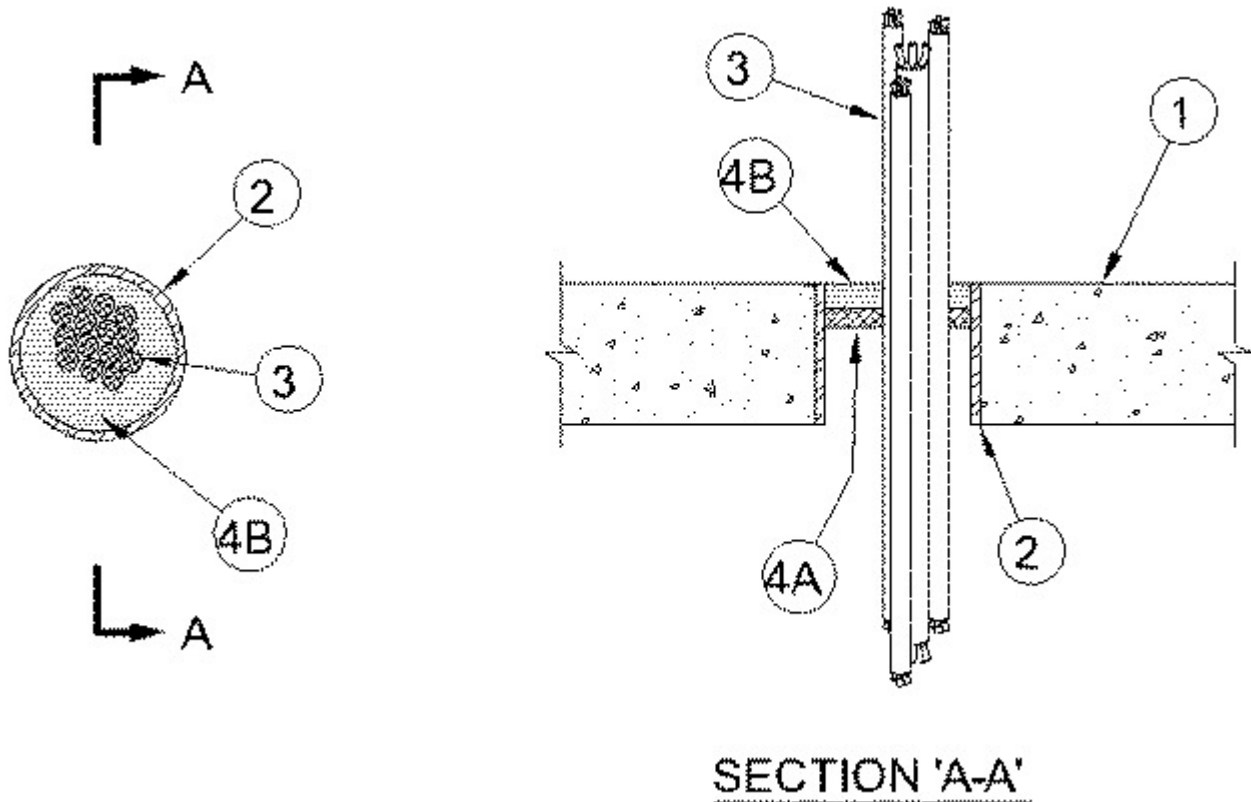
[See General Information for Through-penetration Firestop Systems](#)

[See General Information for Through-penetration Firestop Systems Certified for Canada](#)

System No. C-AJ-3360

January 24, 2019

ANSI/UL1479	CAN/ULC S115
F Rating — 3 Hr	F Rating — 3 Hr
T Rating — 1/2 Hr	FT Rating — 1/2 Hr
	FH Rating — 3 Hr
	FTH Rating — 1/2 Hr



SECTION 'A-A'

1. **Floor or Wall Assembly** — Min 4-1/2 in. (114 mm) thick reinforced lightweight or normal weight (100-150 pcf or 1600-2400 kg/m³) concrete. Floor may also be constructed of any min 6 in. (152 mm) thick UL Classified hollow-core **Precast Concrete Units***. Wall may also be constructed of any UL Classified Concrete Blocks*. Max diam of opening is 6 in. (152 mm).

See **Concrete Blocks (CAZT)** and **Precast Concrete Units (CFTV)** categories in the Fire Resistance Directory for names of manufacturers.

2. **Metallic Sleeve** — (Optional) — Nom 6 in. (152 mm) diam (or smaller) Schedule 10 (or heavier) steel sleeve cast or grouted into floor or wall assembly, flush with floor or wall surfaces.

3. **Cables** — Aggregate cross-sectional area of cables in sleeve or opening to be max 19.3 percent of the cross-sectional area inside the sleeve/opening or a max 2-9/16 in. (65 mm) diam cable bundle may be used. The annular space between cables and periphery of opening shall be min of 0 in. (point contact) to max 3-1/8 in. (79 mm) Cables to be bundled together and rigidly supported on both sides of floor or wall assembly. Any combination of the following types and sizes of cable may be used:

A. Max 400 pairs, 24 AWG telephone communication cable with PVC insulation and jacket.

B. Max 62.5/125 fiber optic cable with PVC insulation and jacketing.

C. Max 4/C No. 2/0 AWG (or smaller) aluminum or copper conductor aluminum or steel jacketed Metal-Clad or Armored-Clad

cable.

D. Max 7/C No. 12 AWG copper conductor power and control cables; XLPE or PVC insulation with XLPE or PVC jacket.

E. Max RG59/U (or smaller) coaxial cable with fluorinated ethylene insulation and jacketing.

F. Type RG 59/U coaxial cable with polyethylene (PE) insulation and PVC jacket.

4. Firestop System — The details of the firestop system shall be as follows:

A. Packing Material — Min 1 in. (25.4 mm) thick backer rod, mineral wool or fiberglass batt insulation firmly packed into opening as a permanent form. Packing material to be recessed from top surface of floor or both surfaces of wall as required to accommodate the required thickness of fill material. When the floor is constructed of hollow-core precast concrete units, packing material shall be installed symmetrically on both sides of floor and recessed from both floor surfaces.

B. Fill, Void or Cavity Materials* — Min 1 in. (25.4 mm) thickness of fill material applied within annulus, flush with top surface of floor or both surfaces of wall assembly. When the floor is constructed of hollow-core precast concrete units, fill material shall be installed symmetrically on both sides of floor, flush with both floor surfaces.

**RELIANCE WORLDWIDE CORPORATION DBA HOLDRITE
HYDROFLAME** — HydroFlame 100

*** Indicates such products shall bear the UL or cUL Certification Mark for jurisdictions employing the UL or cUL Certification (such as Canada), respectively.**

Last Updated on 2019-01-24

Design/System/Construction/Assembly Usage Disclaimer

- Authorities Having Jurisdiction should be consulted in all cases as to the particular requirements covering the installation and use of UL Certified products, equipment, system, devices, and materials.
- Authorities Having Jurisdiction should be consulted before construction.
- Fire resistance assemblies and products are developed by the design submitter and have been investigated by UL for compliance with applicable requirements. The published information cannot always address every construction nuance encountered in the field.
- When field issues arise, it is recommended the first contact for assistance be the technical service staff provided by the product manufacturer noted for the design. Users of fire resistance assemblies are advised to consult the general Guide Information for each product category and

each group of assemblies. The Guide Information includes specifics concerning alternate materials and alternate methods of construction.

- Only products which bear UL's Mark are considered Certified.

The appearance of a company's name or product in this database does not in itself assure that products so identified have been manufactured under UL's Follow-Up Service. Only those products bearing the UL Mark should be considered to be Certified and covered under UL's Follow-Up Service. Always look for the Mark on the product.

UL permits the reproduction of the material contained in the Online Certification Directory subject to the following conditions: 1. The Guide Information, Assemblies, Constructions, Designs, Systems, and/or Certifications (files) must be presented in their entirety and in a non-misleading manner, without any manipulation of the data (or drawings). 2. The statement "Reprinted from the Online Certifications Directory with permission from UL" must appear adjacent to the extracted material. In addition, the reprinted material must include a copyright notice in the following format: "© 2019 UL LLC".

UL and the UL logo are trademarks of UL LLC © 2019 All Rights Reserved.