

# THROUGH-PENETRATION FIRESTOP SYSTEM

[Assembly Usage Disclaimer](#)

## Search Parameters

Manufacturer

Holdrite

## XHEZ - Through-penetration Firestop Systems

### XHEZ7 - Through-penetration Firestop Systems Certified for Canada

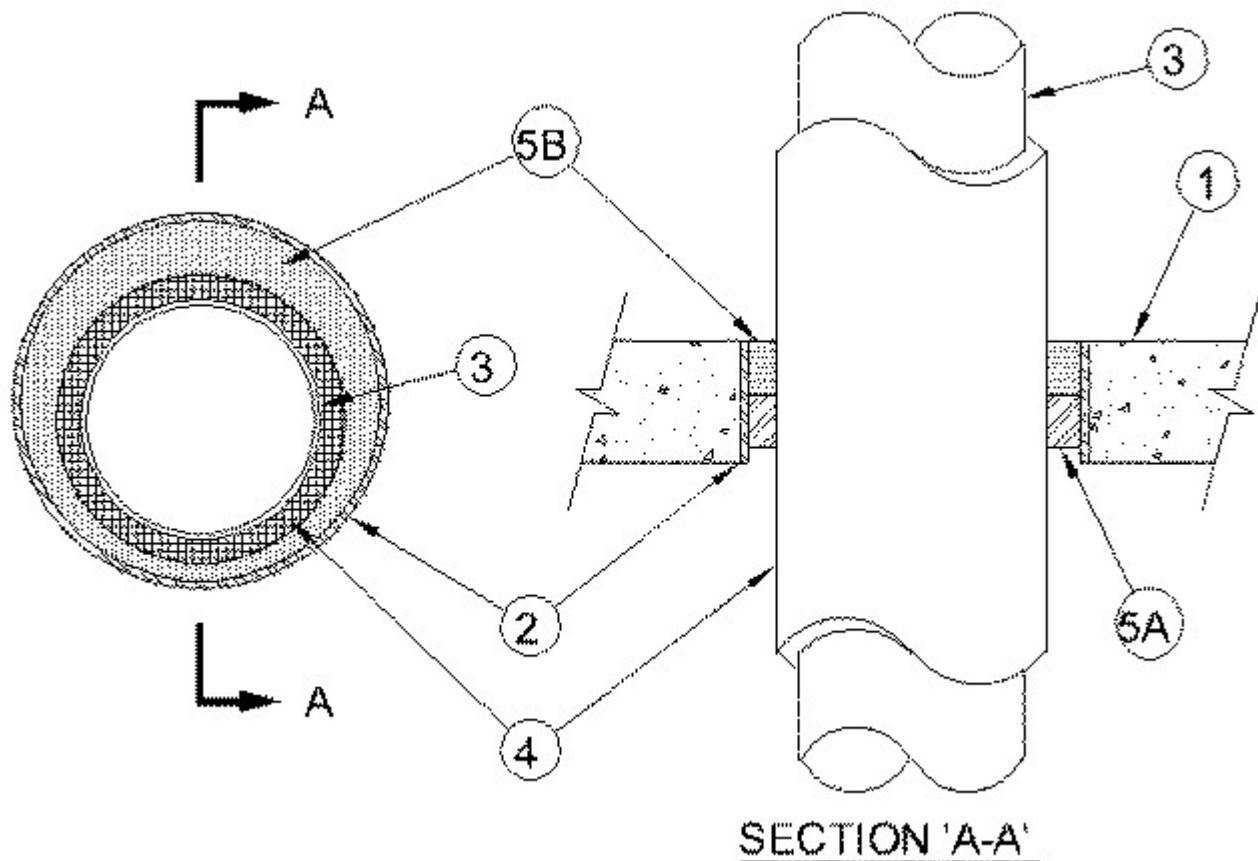
[See General Information for Through-penetration Firestop Systems](#)

[See General Information for Through-penetration Firestop Systems Certified for Canada](#)

### System No. C-AJ-5409

January 25, 2019

ANSI/UL1479 (ASTM E814)	CAN/ULC S115
F Rating — 2 Hr	F Rating — 2 Hr
T Rating — 3/4 and 1 Hr (See Item 5)	FT Rating — 3/4 and 1 Hr (See Item 5)
L Rating At Ambient — Less Than 1 CFM/sq ft	FH Rating — 2 Hr
L Rating At 400°F — Less Than 1 CFM/sq ft	FTH Rating — 3/4 and 1 Hr (See Item 5)



1. **Floor or Wall Assembly** — Min 4-1/2 in. (114 mm) thick reinforced light weight or normal weight (100-150 pcf or 1600-2400 kg/m<sup>3</sup>) concrete floor or min 6 in. thick reinforced light weight or normal weight concrete wall. Floor may also be constructed of any min 6 in. thick UL Classified hollow core **Precast Concrete Units\***. When precast concrete units are used, the max diam of opening is 7 in. Wall may also be constructed of any UL Classified Concrete Units\*. Max diam of opening is 29-1/2 in. (749 mm).

See **Concrete Blocks (CAZT)** and **Precast Concrete Units (CFTV)** categories in the Fire Resistance Directory for names of manufacturers.

2. **Metallic Sleeve** — (optional) - Nom 30 in. (762 mm) diam (or smaller) Schedule 10 (or heavier) steel sleeve cast or grouted into floor or wall assembly, flush with floor or wall surfaces.

3. **Through Penetrants** — One metallic pipe or tubing to be installed either concentrically or eccentrically within the firestop system. Pipe or tubing to be rigidly supported on both sides of floor or wall assembly. The following types and sizes of metallic pipes or tubing may be used:

A. **Steel Pipe** — Nom 24 in. (610 mm) diam (or smaller) Schedule 20 (or heavier) steel pipe.

B. **Iron Pipe** — Nom 24 in. (610 mm) diam (or smaller) cast or ductile iron pipe.

C. **Copper Tubing** — Nom 4 or 6 in. (102 or 152 mm) diam (or smaller) Type L (or heavier) copper tubing. See table below.

D. **Copper Pipe** — Nom 4 or 6 in. (102 or 152 mm) diam (or smaller) Regular (or heavier) copper pipe. See table below.

4. **Pipe Covering\*** — Nom 2 in. (51 mm) thick hollow cylindrical glass fiber units, of min 4.5 pcf (72 kg/m<sup>3</sup>) density, jacketed on the outside with an all service jacket. Longitudinal joints sealed with metal fasteners or factory-applied self-sealing lap tape. Transverse joints secured with metal fasteners or with butt tape supplied with the product. The annular space between insulated pipe and periphery of the opening is specified in the table below.

See **Pipe and Equipment Covering - Materials** (BRGU) category in the Building Materials Directory for names of manufacturers. Any pipe covering material meeting the above specifications and bearing the UL Classification Marking with a Flame Spread Index of 25 or less and a Smoke Developed Index of 50 or less may be used.

5. **Firestop System** — The firestop system shall consist of the following:

A. **Packing Material** — Min 2 in. (51 mm) thickness of min 4 pcf (64 kg/m<sup>3</sup>) mineral wool batt insulation or nom 1 in. diam foam backer rod (see table below) firmly packed into opening as a permanent form. Packing material to be recessed from top surface of floor or from both surfaces of wall to accommodate the required thickness of fill material manufactured by:

B. **Fill, Void, or Cavity Materials\* - Sealant** — Min 1, 1-3/4 or 2 in. (25, 44 or 51 mm) thickness (see table below) of fill material applied within the annulus, flush with top surface of floor or with both surfaces of wall.

Type of Pipe	Nom Pipe Diam, in. (mm)	Annular Space, in. (mm)	Type of Sealant	Type of Packing Material	Thickness of Sealant, in. (mm)	R
Steel and Iron Pipe	24 (610)	5/8 to 1-1/4 (16 to 32)	HydroFlame 200	Mineral Wool	2 (51)	
Copper Tube and Pipe	4 (102)	5/8 to 1-1/4 (16 to 32)	HydroFlame 200	Mineral Wool	2 (51)	
Steel and Iron Pipe	24 (610)	5/8 to 1-1/4 (16 to 32)	HydroFlame 200, HydroFlame 100	Mineral Wool	2 (51)	

Copper Tube and Pipe	6 (152)	5/8 to 1-1/2 (16 to 38)	HydroFlame 200, HydroFlame 100	Mineral Wool	1 (25)
Steel and Iron Pipe	12 (203)	5/8 to 1-1/2 (16 to 38)	HydroFlame 200, HydroFlame 100	Mineral Wool	1 (25)
Steel and Iron Pipe	12 (203)	1/2 to 3/4 (13 to 19)	HydroFlame 200	Foam Backer Rod	1-3/4 (44)

**RELIANCE WORLDWIDE CORPORATION DBA HOLDRITE  
HYDROFLAME — HydroFlame 100, HydroFlame 200**

**\* Indicates such products shall bear the UL or cUL Certification Mark for jurisdictions employing the UL or cUL Certification (such as Canada), respectively.**

Last Updated on 2019-01-25

### **Design/System/Construction/Assembly Usage Disclaimer**

- Authorities Having Jurisdiction should be consulted in all cases as to the particular requirements covering the installation and use of UL Certified products, equipment, system, devices, and materials.
- Authorities Having Jurisdiction should be consulted before construction.
- Fire resistance assemblies and products are developed by the design submitter and have been investigated by UL for compliance with applicable requirements. The published information cannot always address every construction nuance encountered in the field.
- When field issues arise, it is recommended the first contact for assistance be the technical service staff provided by the product manufacturer noted for the design. Users of fire resistance assemblies are advised to consult the general Guide Information for each product category and each group of assemblies. The Guide Information includes specifics concerning alternate materials and alternate methods of construction.
- Only products which bear UL's Mark are considered Certified.

The appearance of a company's name or product in this database does not in itself assure that products so identified have been manufactured under UL's Follow-Up Service. Only those products bearing the UL Mark should be considered to be Certified and covered under UL's Follow-Up Service. Always look for the Mark on the product.

UL permits the reproduction of the material contained in the Online Certification Directory subject to the following conditions: 1. The Guide Information, Assemblies, Constructions, Designs, Systems,

and/or Certifications (files) must be presented in their entirety and in a non-misleading manner, without any manipulation of the data (or drawings). 2. The statement "Reprinted from the Online Certifications Directory with permission from UL" must appear adjacent to the extracted material. In addition, the reprinted material must include a copyright notice in the following format: "© 2019 UL LLC".

UL and the UL logo are trademarks of UL LLC © 2019 All Rights Reserved.